



Chipsmall Limited consists of a professional team with an average of over 10 year of expertise in the distribution of electronic components. Based in Hongkong, we have already established firm and mutual-benefit business relationships with customers from,Europe,America and south Asia,supplying obsolete and hard-to-find components to meet their specific needs.

With the principle of “Quality Parts,Customers Priority,Honest Operation,and Considerate Service”,our business mainly focus on the distribution of electronic components. Line cards we deal with include Microchip,ALPS,ROHM,Xilinx,Pulse,ON,Everlight and Freescale. Main products comprise IC,Modules,Potentiometer,IC Socket,Relay,Connector.Our parts cover such applications as commercial,industrial, and automotives areas.

We are looking forward to setting up business relationship with you and hope to provide you with the best service and solution. Let us make a better world for our industry!



## Contact us

Tel: +86-755-8981 8866 Fax: +86-755-8427 6832

Email & Skype: info@chipsmall.com Web: www.chipsmall.com

Address: A1208, Overseas Decoration Building, #122 Zhenhua RD., Futian, Shenzhen, China



# SynJet<sup>®</sup> Spotlight Cooler 36W

SynJet cooling technology provides the most reliable thermal management solution available. This LED cooler has been developed by Nuventix for cooling downlight and spotlight modules and arrays.

- Cools up to 36 W<sup>4</sup>
- Reliable 100K Hours Lifetime
- Energy Efficient
- 5 Yr Warranty
- Small Form Factor
- Quiet Acoustics



## Specifications<sup>1</sup>

### Thermal & Acoustic

| SynJet Setting <sup>2</sup> | Θs-a <sup>3</sup><br>AI | TDP <sup>4</sup> (W)<br>ΔT = 30° / 40°C | SPL<br>(dBA) <sup>5</sup> | Wire Connections  |
|-----------------------------|-------------------------|---|---------------------------|---|
| Mid Performance             | 0.89                    | 34 / 45                                 | 25                        | Red to +VDC<br>Black & Blue to Ground                     |
| Standard Performance        | 0.99                    | 30 / 40                                 | 22                        | Red to +VDC<br>Black only to Ground                       |
| Silent Performance          | 1.17                    | 26 / 34                                 | 19                        | Red to +VDC<br>Black & Purple to Ground                   |
| PWM at 100% duty cycle      | 0.84                    | 36 / 48                                 | 27                        | Red to +VDC<br>Black only to Ground<br>Blue to PWM Signal |
| Heatsink Only               | 2.48 / 2.3              | 12 / 17                                 | N/A                       | N/A   |

### Electrical

| SynJet Setting <sup>2</sup> | Voltage<br>(VDC)<br>+/- 10% | Current (mA) <sup>6</sup> |      |       | Pavg<br>(mW) | Voltage<br>(VDC)<br>+/- 10% | Current (mA) <sup>6</sup> |      |       | Pavg<br>(mW) |
|-----------------------------|-----------------------------|---------------------------|------|-------|--------------|-----------------------------|---------------------------|------|-------|--------------|
|                             |                             | Imin                      | Iavg | Ipeak |              |                             | Imin                      | Iavg | Ipeak |              |
| Mid                         | 5                           | 20                        | 150  | 300   | 750          | 12                          | 10                        | 67   | 134   | 800          |
| Standard                    |                             |                           | 95   | 190   | 475          |                             |                           | 50   | 100   | 600          |
| Silent                      |                             |                           | 65   | 130   | 325          |                             |                           | 40   | 80    | 480          |
| PWM at 100% duty cycle      |                             |                           | 160  | 320   | 800          |                             |                           | 82   | 164   | 980          |

### Environmental

| All Settings                | Min | Max  | Units | Conditions                         |
|-----------------------------|-----|------|-------|------------------------------------|
| Operating Temperature       | -40 | 70   | °C    | Air temperature surrounding cooler |
| Storage Temperature         | -50 | 75   | °C    | Air temperature surrounding cooler |
| Storage Altitude            |     | 15K  | m     | Above sea level                    |
| Operating Relative Humidity | 5   | 95   | %     | Non-condensing                     |
| Weight                      |     | 335  | g     | SynJet with AI heat sink           |
| Reliability                 |     | 100K | hrs   | L10 @ 60°C                         |
| Regulatory Compliance       |     |      |       | RoHS, UL, FCC Part 15 Class B, CE  |

<sup>1</sup> All values are typical at 25°C unless otherwise stated.

<sup>2</sup> The Level Select model should be used for discrete performance settings. Follow the instructions in the Product Design Guide for adjusting settings.

<sup>3</sup> Thermal resistance values are given as reference only and are measured in free air without airflow obstructions. Thermal resistance is measured from the bottom middle of the heat sink to ambient air measured at the inlet to the SynJet, with a heat source at least 4.1cm<sup>2</sup> using the 60 W reference heat sink. Actual thermal performance may vary by application and final product design should be tested to assure proper thermal performance.

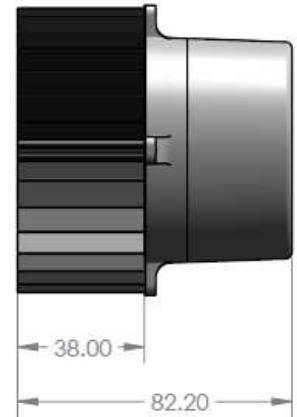
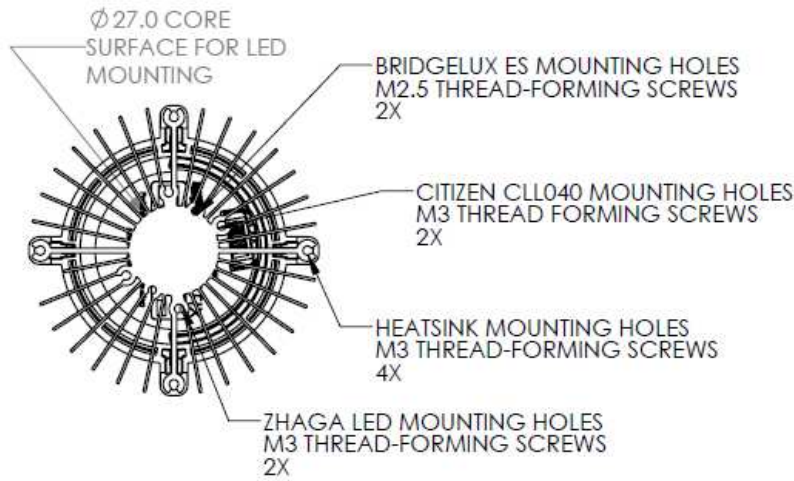
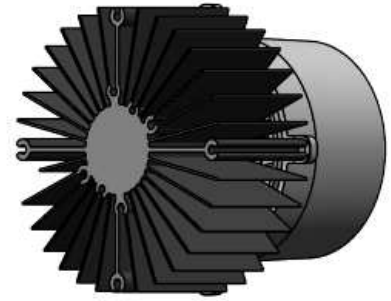
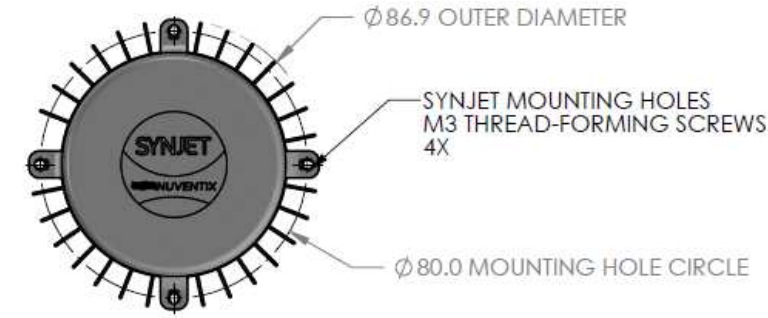
<sup>4</sup> Thermal Design Power is based on a 30°C or 40°C temperature rise of heat sink mounting surface above ambient temperature around cooler.

<sup>5</sup> Sound Pressure Level is measured at 1 meter distance per ISO 7779.

<sup>6</sup> The SynJet has a time varying current. The current waveform is sinusoidal and the average current (Iavg) is used to calculate the average power consumption (Pavg) at nominal input voltage (VDC). See the Electrical section in the Product Design Guide for a detailed explanation.

# PRODUCT DATASHEET

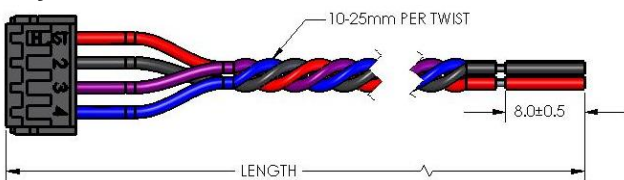
## Mechanical - SynJet Cooling Solution shown with Configurable heat sink



NOTE: DIN 7500 TYPE THREAD-FORMING SCREWS ARE RECOMMENDED FOR ALL MOUNTING HOLE BOSSES

All dimensions are nominal and in mm unless otherwise stated. See product drawings for more detail.

### SynJet Wire Harness



### Connector Pinout

| Pin | Wire Color | Symbol | Description   |
|-----|------------|--------|---|
| 1   | Red        | +VDC   | 5 V or 12 V depending on model                              |
| 2   | Black      | GND    | Ground  |
| 3   | Purple     | CTRL2  | Input for Level Select model<br>Status signal for PWM model |
| 4   | Blue       | CTRL1  | Input for Level Select model<br>PWM input for PWM model     |

IMPORTANT: SynJets should be completely wired to the power supply before the power supply is energized. The power supply should be turned off before the SynJet Cooler is disconnected. SynJet Coolers are not designed for "hot swap" or "hot plug" applications.

### Part Numbers

| Part Number     | Description  | Notes   |
|-----------------|--|---|
| NX201100        | SynJet, ZFlow 87, PWM, 5V, Black   | Use with PWM input to control performance setting |
| NX201101        | SynJet, ZFlow 87, Level Select, 5V, Black  | Configurable to discrete performance settings     |
| NX201102        | SynJet, ZFlow 87, PWM, 12V, Black  | Use with PWM input to control performance setting |
| NX201103        | SynJet, ZFlow 87, Level Select, 12V, Black   | Configurable to discrete performance settings     |
| NX301102        | Heatsink, 36W, Spotlight Cooler, Configurable, Citizen, Bridgelux, Zhaga B3, Black | Contact sales for other heatsink options          |
| WALLS-C4150-001 | Wire Harness, 4-Wire, 150 mm Length  | Contact sales for other wire harness options      |
| WALLS-C4600-001 | Wire Harness, 4-Wire, 600 mm Length  | Contact sales for other wire harness options      |

Nuventix reserves the right to make changes to the products or information contained herein without notice. No liability is assumed as a result of their use or applications. For additional information, please contact Nuventix directly.