



Chipsmall Limited consists of a professional team with an average of over 10 year of expertise in the distribution of electronic components. Based in Hongkong, we have already established firm and mutual-benefit business relationships with customers from,Europe,America and south Asia,supplying obsolete and hard-to-find components to meet their specific needs.

With the principle of “Quality Parts,Customers Priority,Honest Operation,and Considerate Service”,our business mainly focus on the distribution of electronic components. Line cards we deal with include Microchip,ALPS,ROHM,Xilinx,Pulse,ON,Everlight and Freescale. Main products comprise IC,Modules,Potentiometer,IC Socket,Relay,Connector.Our parts cover such applications as commercial,industrial, and automotives areas.

We are looking forward to setting up business relationship with you and hope to provide you with the best service and solution. Let us make a better world for our industry!



Contact us

Tel: +86-755-8981 8866 Fax: +86-755-8427 6832

Email & Skype: info@chipsmall.com Web: www.chipsmall.com

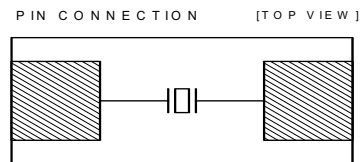
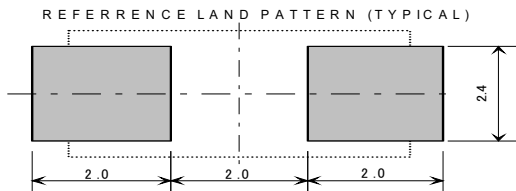
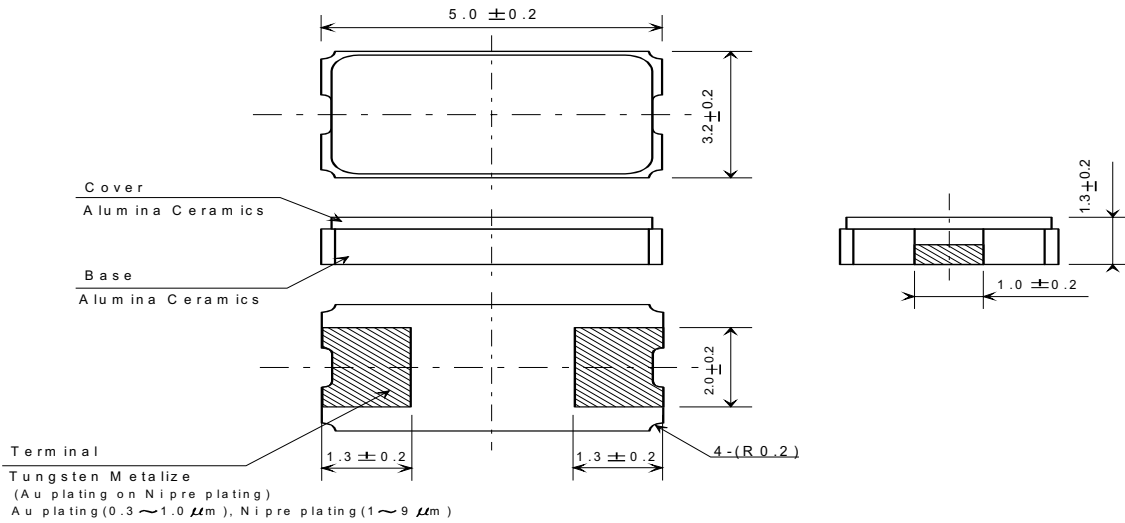
Address: A1208, Overseas Decoration Building, #122 Zhenhua RD., Futian, Shenzhen, China



Specification of Crystal Unit

1	NDK PART NUMBER	NX5032GA (STD-CSU-1)(STD-CSU-2) NX5032GA
5	Type	
6	Electrical characteristics	* ATTACHED SHEETS 3
6.1	Nominal frequency(F0)	9.84375 MHZ 13.56 MHZ
6.2	Overtone order	Fundamental
6.3	Adjustment tolerance	$\pm 50 \times 10^{-6}$ max. (+25 °C)
6.4	Tolerance over the temperature range	$\pm 150 \times 10^{-6}$ max. (-40~+150 °C) The reference temperature shall be +25 °C.
6.5	Equivalent resistance (R1)	*ATTACHED SHEETS 3
6.6	Shunt Capacitance (C0)	NA
6.7	Motional Capacitance (C1)	500 μ W max.
7	Measurement circuit	
7.2	Frequency measurement	π circuit
7.1.1	Measuring instrument	8pF
7.1.2	Load capacitance(CL)	10 μ W
7.1.3	Level of drive	
7.2	Equivalent resistance measurement	π circuit
7.2.1	Measuring instrument	Series
7.2.2	Load capacitance(CL)	10 μ W
7.2.3	Level of drive	

8 Dimension



Frequency(MHz)	CI(ESR)
9.84375	220 ohm
13.56	150 ohm