



Chipsmall Limited consists of a professional team with an average of over 10 year of expertise in the distribution of electronic components. Based in Hongkong, we have already established firm and mutual-benefit business relationships with customers from,Europe,America and south Asia,supplying obsolete and hard-to-find components to meet their specific needs.

With the principle of “Quality Parts,Customers Priority,Honest Operation,and Considerate Service”,our business mainly focus on the distribution of electronic components. Line cards we deal with include Microchip,ALPS,ROHM,Xilinx,Pulse,ON,Everlight and Freescale. Main products comprise IC,Modules,Potentiometer,IC Socket,Relay,Connector.Our parts cover such applications as commercial,industrial, and automotives areas.

We are looking forward to setting up business relationship with you and hope to provide you with the best service and solution. Let us make a better world for our industry!



## Contact us

Tel: +86-755-8981 8866 Fax: +86-755-8427 6832

Email & Skype: info@chipsmall.com Web: www.chipsmall.com

Address: A1208, Overseas Decoration Building, #122 Zhenhua RD., Futian, Shenzhen, China



## NX8045GB

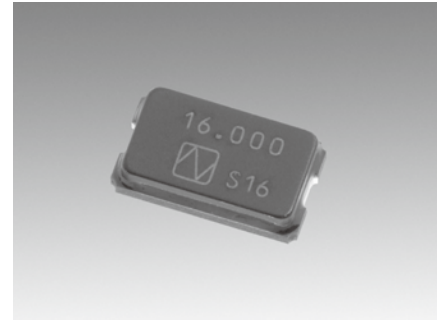
For Automotive

### ■ Features

A small surface-mount type crystal unit, ideal for Automotive.

Compatible with an engine control CPU clock delivering the high reliability that is particularly demanded.

- Stable start-up characteristic even under extremely severe environmental conditions.
- Excellent environmental characteristics, including heat, vibration and shock resistance.
- Meets the requirements for re-flow profiling using lead-free solder.
- Conforms to AEC-Q200.



**RoHS Compliant**  
Directive 2011/65/EU

### ■ Specifications

Item	Model	NX8045GB
Nominal frequency		8 to 40 MHz
Overtone order		Fundamental
Frequency tolerance (25 ±3 °C)		±50 × 10 <sup>-6</sup>
Frequency versus temperature characteristics (with reference to +25 °C)		±150 × 10 <sup>-6</sup>
Operating temperature range		-40 to +150 °C
Storage temperature range		-40 to +150 °C
Equivalent series resistance		Refer to *1
Level of drive		10 μW (Max. 500 μW)
Load capacitance		8 pF

The above specifications are standard for this NDK product.

Custom-made specifications such as load capacitance and temperature characteristics are also available.

Please contact NDK sales with your enquiries.

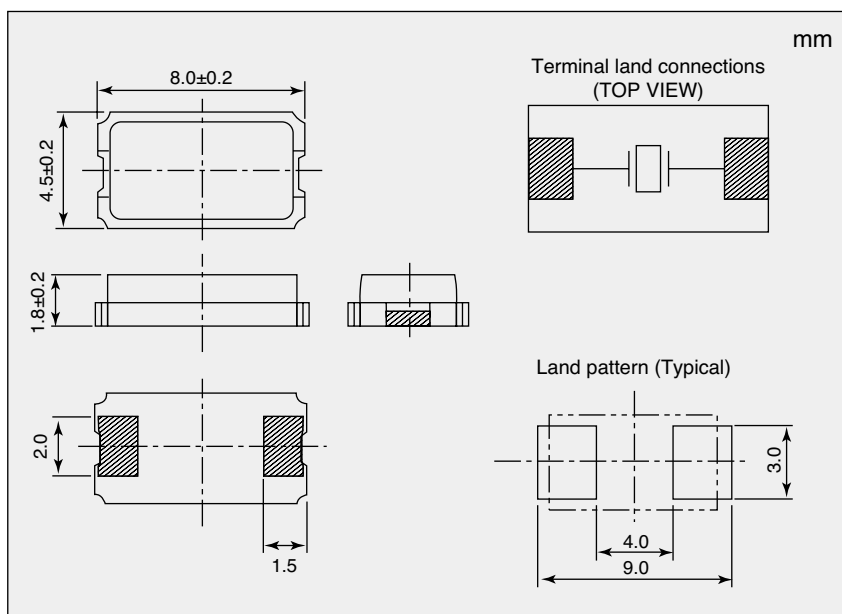
### ■ How to Specify an Order

When ordering our products, specify them with an "Ordering Code" that consists of the following :

[Model name] - [Frequency (Max : 9 digits)] M - [Number for specifying an order]      Example NX8045GB-10.000M-STD-CSJ-1

If you have any queries concerning our standard frequencies and numbers for specifying orders, please contact our sales representatives or visit our homepage (<http://www.ndk.com/>).

### ■ Dimensions



\*1 Equivalent Series Resistance

Nominal frequency (MHz)	Equivalent Series Resistance max. [Ω]
8 to 10	220
10 to 40	150