



Chipsmall Limited consists of a professional team with an average of over 10 year of expertise in the distribution of electronic components. Based in Hongkong, we have already established firm and mutual-benefit business relationships with customers from,Europe,America and south Asia,supplying obsolete and hard-to-find components to meet their specific needs.

With the principle of “Quality Parts,Customers Priority,Honest Operation,and Considerate Service”,our business mainly focus on the distribution of electronic components. Line cards we deal with include Microchip,ALPS,ROHM,Xilinx,Pulse,ON,Everlight and Freescale. Main products comprise IC,Modules,Potentiometer,IC Socket,Relay,Connector.Our parts cover such applications as commercial,industrial, and automotives areas.

We are looking forward to setting up business relationship with you and hope to provide you with the best service and solution. Let us make a better world for our industry!



Contact us

Tel: +86-755-8981 8866 Fax: +86-755-8427 6832

Email & Skype: info@chipsmall.com Web: www.chipsmall.com

Address: A1208, Overseas Decoration Building, #122 Zhenhua RD., Futian, Shenzhen, China



5A Constant Frequency Hysteretic Synchronous Regulator

Description

The NX9415 is synchronous buck switching converter in a multi chip module designed for step-down DC to DC converter applications. It is optimized to convert bus voltages from 8V to 22V to as low as 0.8V output voltage. The output current can be up to 5A. An internal regulator converts bus voltage to 5V, which provides a voltage supply to the internal logic and driver circuits. The NX9415 operates from 200 kHz to 2.2MHz and employs loss-less current limiting by sensing the $R_{DS(on)}$ of synchronous MOSFET followed by hiccup feature. Feedback under voltage protection triggers hiccup.

Other features of the device are: internal Schottky diode, thermal shutdown, 5V gate drive, adaptive deadband control, internal digital soft start, 5VREG under-voltage lock out and shutdown capability via the comp pin. NX9415 is available in 4x4 MCM package.

Features

- Single Supply Voltage From 8V to 22V
- Internal 5V Regulator
- Programmable Frequency Up to 2.2MHz
- Internal Digital Soft Start Function
- Internal Boost Schottky Diode
- Prebias Startup
- Less than 50 nS Adaptive Deadband
- Current Limit Triggers Hiccup by Sensing $R_{DS(on)}$ of Synchronous MOSFET
- Pb-free and RoHS Compliant

Applications

- Low Profile On board DC to DC Application
- LCD TV
- Hard Disk Drive
- ADSL Modem

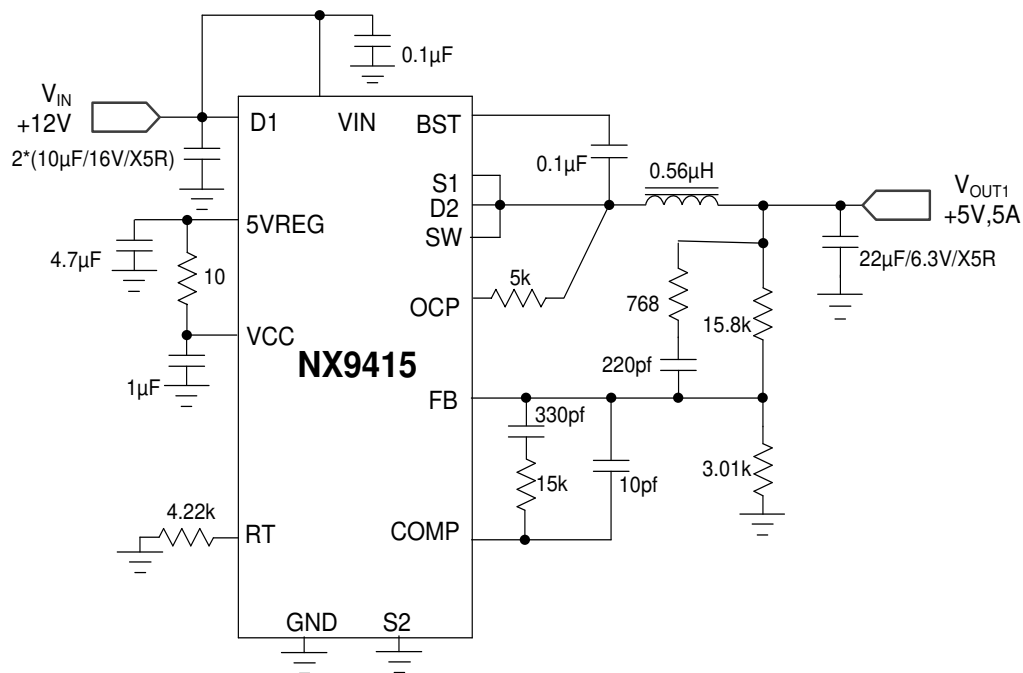


Figure 1 · Typical Application of NX9415

Pin Configuration and Pinout

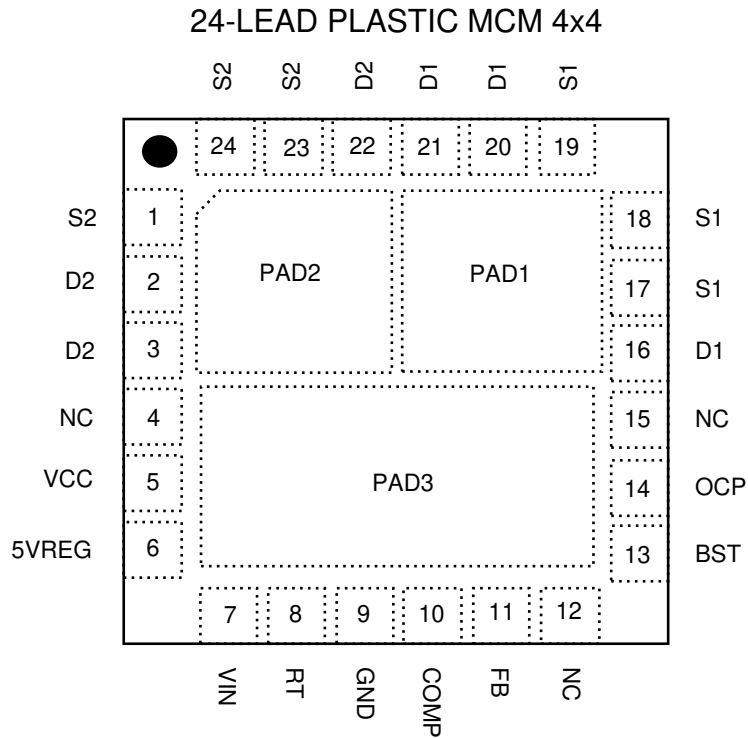


Figure 2 · Pinout

Ordering Information

Ambient Temperature	Type	Package	Part Number	Packaging Type
0°C to 70°C	RoHS Compliant Pb-free	4X4 MCM-24L	NX9415CM	Bulk / Tube
			NX9415CMTR	Tape and Reel

Pin Description

Pin Number	Pin Designator	Description
1, 23-24	S2	Source of low side MOSFET and needs to be connected to power ground.
2-3,22, PAD2	D2	Drain of low side MOSFET.
4, 12, 15, PAD3	NC	Not used pin. Connecting these pins to ground is recommended.
5	VCC	Voltage supply for internal analog circuit and driver
6	5VREG	An internal 5V regulator. A high frequency 4.7 μ F/X5R ceramic capacitor must be connected from this pin to the GND pin as close as possible.
7	VIN	Voltage supply for the internal 5V regulator.
8	RT	Oscillator's frequency can be set by using an external resistor from this pin to GND.
9	GND	Ground.
10	COMP	This pin is the output of the error amplifier and is used to compensate the voltage control feedback loop. This pin is also used as a shut down pin. When this pin is pulled below 0.3V, both drivers are turned off and internal soft start is reset.
11	FB	This pin is the error amplifier inverting input. This pin is connected via resistor divider to the output of the switching regulator to set the output DC voltage.
13	BST	This pin supplies voltage to the high side driver. A high frequency ceramic capacitor of 0.1 to 1 μ F must be connected from this pin to SW pin.
14	OCP	This pin is connected to the D2 of the low side MOSFET and is the input of the over current protection (OCP) comparator. A fixed internal current flows to the external resistor which sets the OCP voltage across the $R_{DS(ON)}$ of the low side MOSFET. Current limit point is this voltage divided by the $R_{DS(ON)}$.
16, 21-20, PAD1	D1	Drain of high side MOSFET
17-19	S1	Source of high side MOSFET and provides return path for the high side driver.

Block Diagram

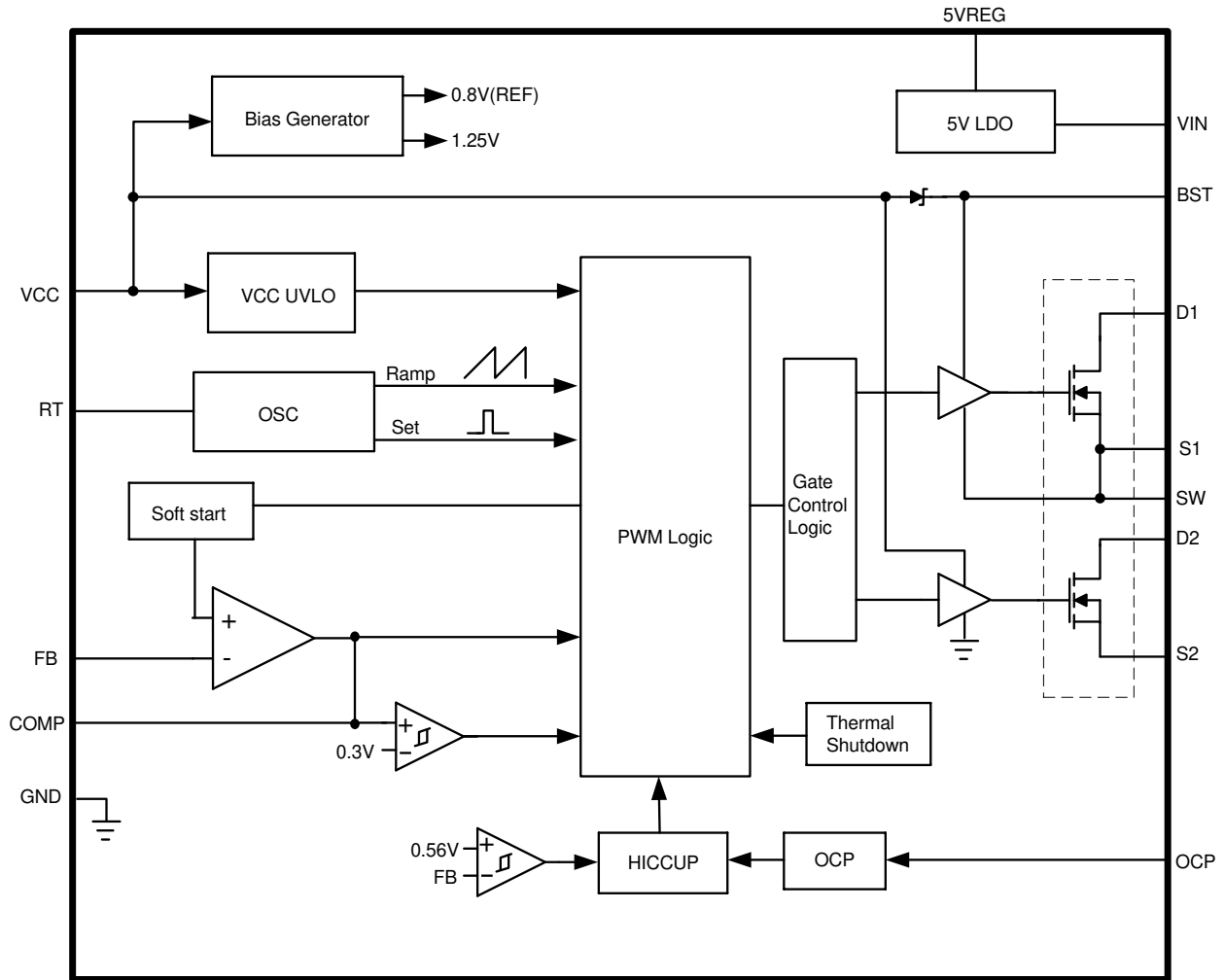


Figure 3 · Simplified Block Diagram of NX9415

Absolute Maximum Ratings

Note: Stresses above those listed in “ABSOLUTE MAXIMUM RATINGS”, may cause permanent damage to the device. This is a stress only rating and operation of the device at these or any other conditions above those indicated in the operational sections of this specification is not implied.

Parameter	Min	Max	Units
5VREG, VCC to GND & BST to SW voltage	-0.3	6.5	V
VIN to GND Voltage	-	25	V
S1 to GND	-2	30	V
D1 to S1, D2 to S2	-	30	V
All other pins	-0.3	VCC+0.3, or 6.5	V
Storage Temperature Range	-65	150	°C
Operating Junction Temperature Range	-40	125	°C
Peak Reflow Temperature (40 seconds)		260 (+0, -5)	°C
ESD Susceptibility		2	kV
Power Dissipation	Internally Limited by OTP		

Thermal Properties

Thermal Resistance	Typ	Units
θ_{JA}	30	°C/W
θ_{JC}	2.5	°C/W

Note: The θ_{JA} numbers assume no forced airflow. Junction Temperature is calculated using $T_J = T_A + (PD \times \theta_{JA})$. In particular, θ_{JA} is a function of the PCB construction. The stated number above is for a four-layer board in accordance with JESD-51 (JEDEC).

Electrical Characteristics

Unless otherwise specified, these specifications apply over $V_{IN} = 12V$, and $T_A = 0$ to $70^\circ C$. Following are the bypass capacitors: $C_{VIN} = 1\mu F$, $C_{5VREG} = 4.7\mu F$, and all X5R ceramic capacitors. Typical values refer to $T_A = 25^\circ C$. Low duty cycle pulse testing is used which keeps junction and case temperatures equal to the ambient temperature.

Symbol	Parameter	Test Condition	Min	Typ	Max	Units
Reference Voltage						
VREF	Ref Voltage			0.8		V
	Ref Voltage line regulation	VIN= 9V to 22V		0.4		%
5VREG						
	5VREG Voltage range		4.75	5	5.25	V
	5VREG Line Regulation	VIN= 9V to 22V		10		mV
	5VREG Max Current			50		mA

Electrical Characteristics - continued

Unless otherwise specified, these specifications apply over $V_{IN} = 12V$, and $T_A = 0$ to $70^\circ C$. Following are the bypass capacitors: $C_{VIN} = 1\mu F$, $C_{5VREG} = 4.7\mu F$, and all X5R ceramic capacitors. Typical values refer to $T_A = 25^\circ C$. Low duty cycle pulse testing is used which keeps junction and case temperatures equal to the ambient temperature.

Symbol	Parameter	Test Condition	Min	Typ	Max	Units
Supply Voltage (VIN)						
VIN	VIN Voltage Range		9		22	V
	Input Voltage Current (Static)	No switching		4.8		mA
	Input Voltage Current (Dynamic)	$R_{RT} = 4.22k\Omega$		10		mA
VIN UVLO						
VIN_UVLO	VIN-Threshold	V_{IN} Rising		6.5		V
VIN_Hyst	VIN-Hysteresis	V_{IN} Falling		0.6		V
Under Voltage Lockout						
VCC_UVLO	VCC Threshold	VCC Rising		3.9		V
VCC_Hyst	VCC Hysteresis	VCC Falling		0.2		V
SS						
T _{ss}	Soft Start time	$F_S = 2.2MHz$		400		μs
Oscillator (RT)						
F _S	Frequency	$R_{RT} = 4.22k\Omega$		2250		kHz
V _{RAMP}	Ramp Amplitude Voltage			1.5		V
	Max Duty Cycle	$F_S = 2.2MHz$		71		%
	Min Controllable On Time				150	ns
Error Amplifiers						
	Transconductance			2000		μmho
I _B	Input Bias Current			10		nA
	COMP SD Threshold			0.3		V
FBUVLO						
	Feedback UVLO threshold			0.6		V
	Over temperature Threshold			150		$^\circ C$
	Hysteresis			20		$^\circ C$
OCP						
	OCP current			37		μA
Internal Schottky Diode						
	Forward voltage drop	Forward current = 20mA		350		mV
Output Stage						
	High Side MOSFET RDSON			31		m Ω
	Low Side MOSFET RDSON			31		m Ω
	Output Current			5		A

Typical Application

- Input Voltage = 12V, Output Voltage ~ 5V@ 5A, Working Frequency ~ 2.2MHz

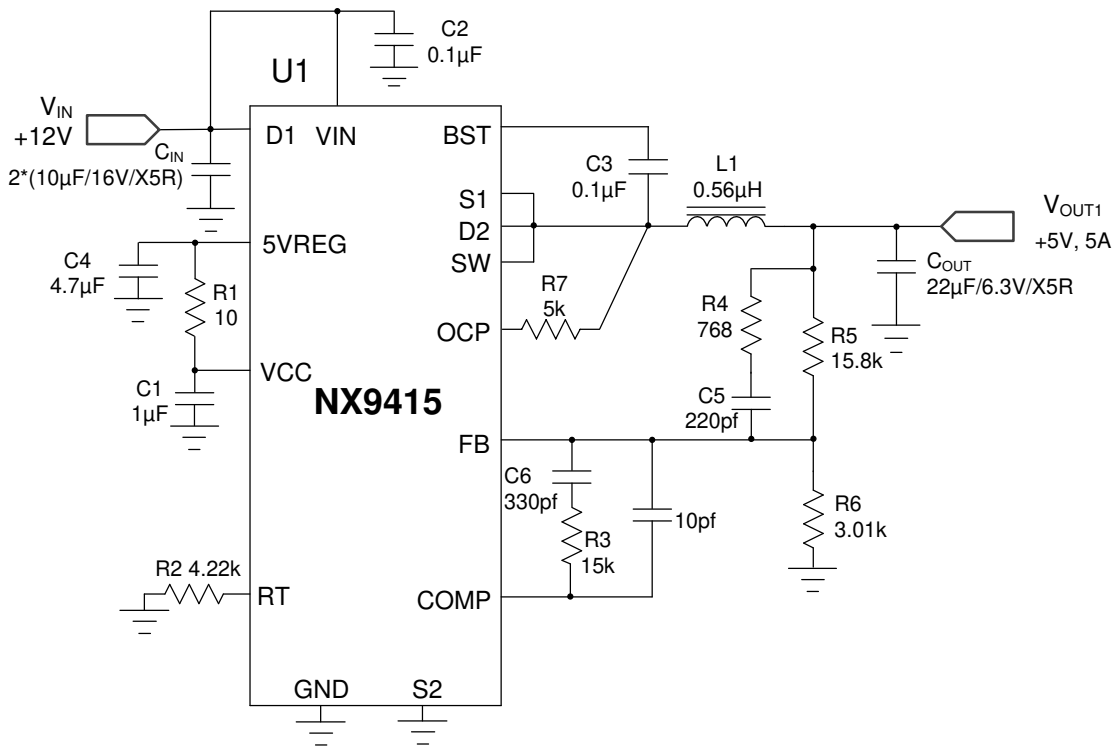


Figure 4 · Demo Board Schematic

Bill of Materials

Item	Quantity	Reference	Value	Manufacturer
1	1	C1	1µF	
2	2	C2,C3	0.1µF	
3	1	C4	4.7µF/6.3V/X5R	
4	1	C5	220pf	
5	1	C6	330pf	
6	2	CIN	10µF/16V/X5R	
7	1	COUT	22µF/6.3V/X5R	
8	1	L1	DO1813P-561HC	Coilcraft
9	1	R1	10Ω	
10	1	R2	4.22kΩ	
11	1	R3	15kΩ	
12	1	R4	768Ω	
13	1	R5	15.8kΩ	
14	1	R6	3.01kΩ	
15	1	R7	5kΩ	
16	1	U1	NX9415CM	Microsemi

Theory of Operation

Over Current Protection

Over current protection is achieved by sensing current through the low side MOSFET. A typical internal current source of $37\mu\text{A}$ flowing through an external resistor connected from OCP pin to SW node sets the over current protection threshold. When synchronous FET is on, the voltage at node SW is given as

$$V_{SW} = -I_L \times R_{DSON}$$

The voltage at pin OCP is given as

$$I_{OCP} \times R_{OCP} + V_{SW}$$

When the voltage is below zero, the over-current occurs.

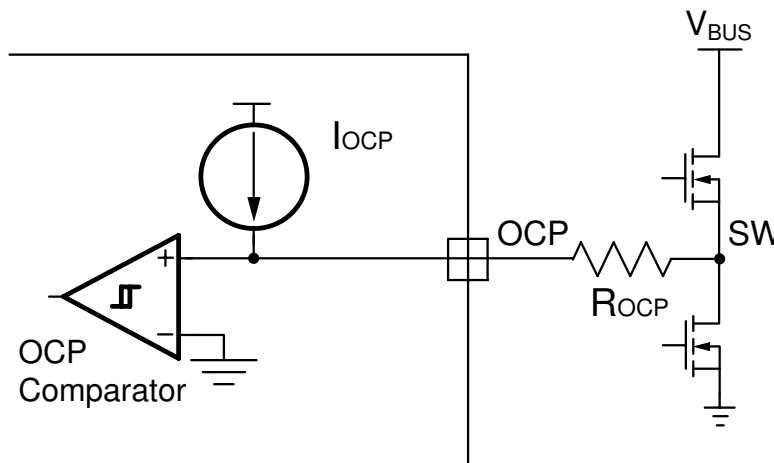


Figure 5 · Over Current Protection

The over current limit can be set by the following equation:

$$I_{SET} = \frac{I_{OCP} \times R_{OCP}}{K \times R_{DSON}}$$

K is temperature coefficient of R_{DSON} , the recommended value is 1.4.

Demoboard Waveforms

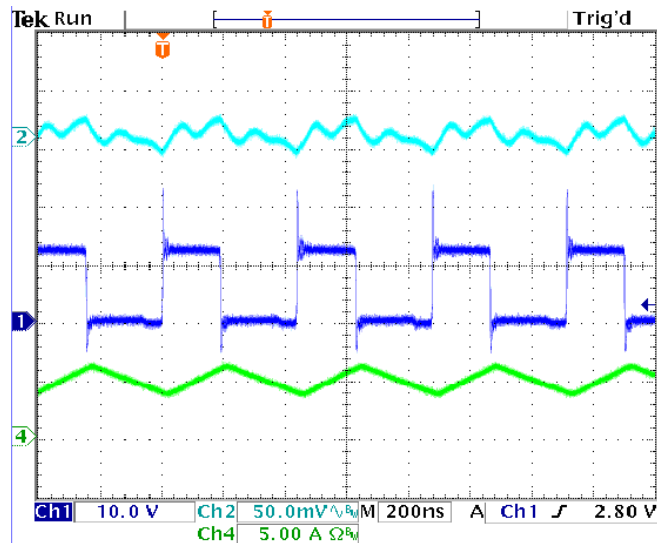


Figure 6 · Output Ripple (CH1 SW 10V/DIV, CH2 VOUT AC 50mV/DIV, CH4 OUTPUT CURRENT 5A/DIV)

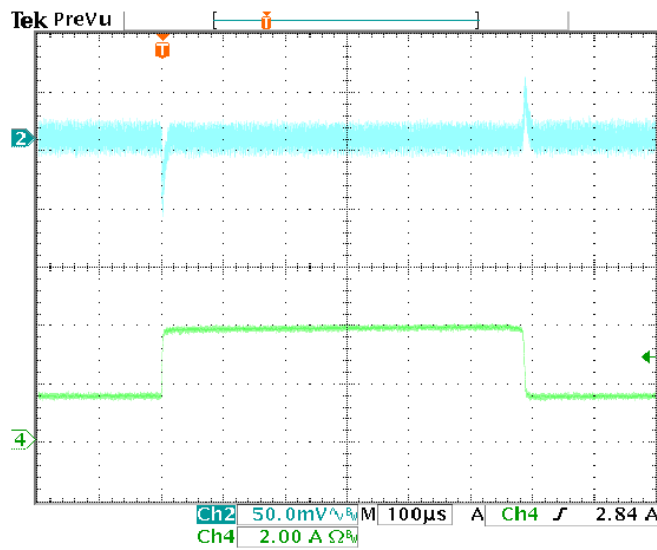


Figure 7 · Output Voltage Transient Response (CH2 VOUT AC 50mV/DIV, CH4 OUTPUT CURRENT 5A/DIV)

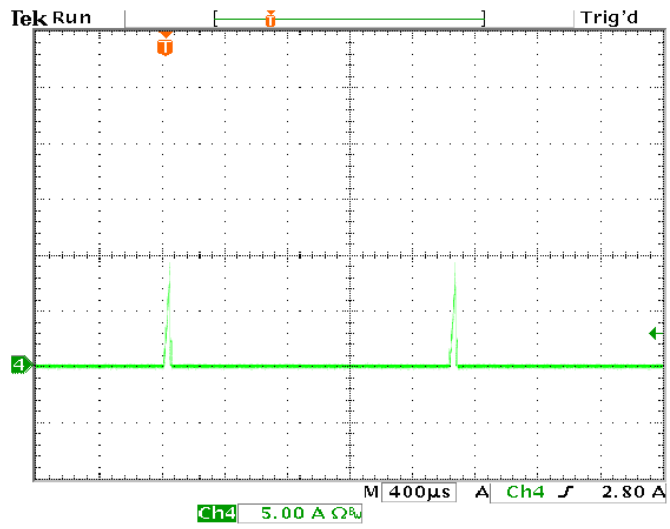


Figure 8 · Over Current Protection(CH4 OUTPUT CURRENT 5A/DIV)

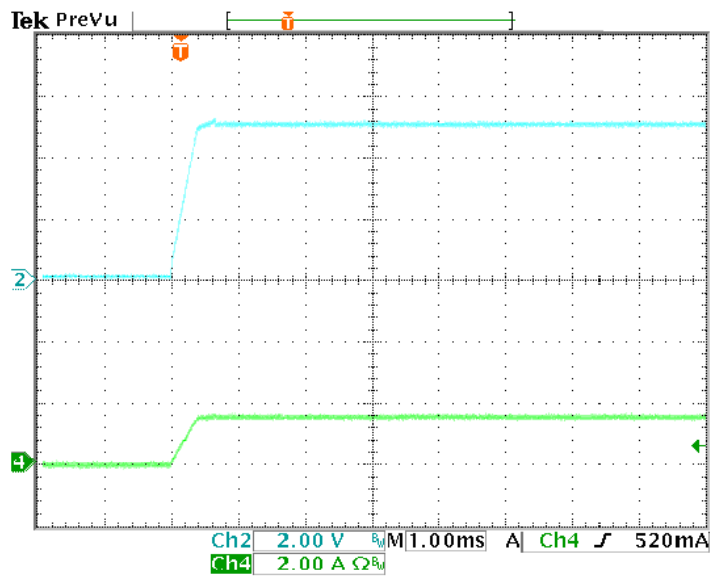


Figure 9 · Startup (CH2 VOUT 2V/DIV, CH4 CURRENT 2A/DIV)

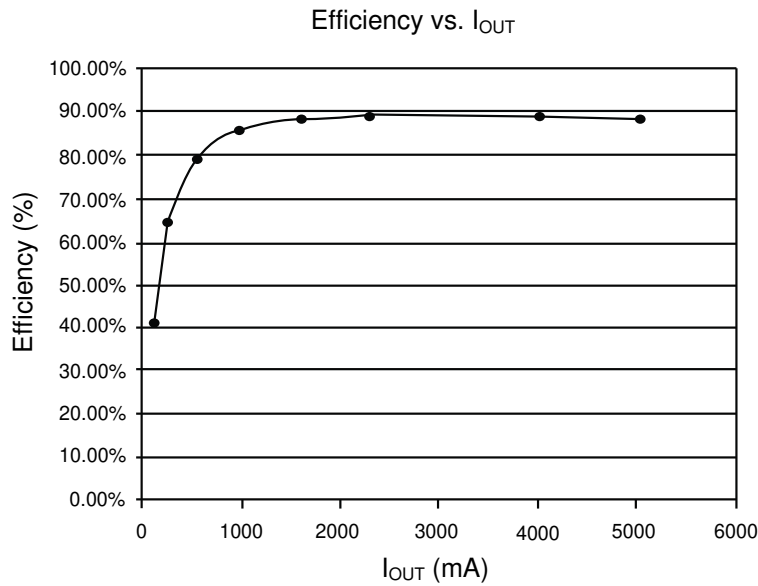


Figure 10 · Output Efficiency @V_{OUT}=5V, V_{IN}=12V

Application Information

Symbol Used In Application Information:

Symbol	Description
V _{IN}	Input voltage
V _{OUT}	Output voltage
I _{OUT}	Output current
ΔV _{RIPPLE}	Output voltage ripple
F _S	Working frequency
ΔI _{RIPPLE}	Inductor current ripple

Output Inductor Selection

The selection of inductor value is based on inductor ripple current, power rating, working frequency and efficiency. Larger inductor value normally means smaller ripple current. However if the inductance is chosen too large, it brings slow response and lower efficiency. Usually the ripple current ranges from 20% to 40% of the output current. This is a design freedom which can be decided by design engineer according to various application requirements. The inductor value can be calculated by using the following equations:

$$L_{OUT} = \frac{V_{IN} - V_{OUT}}{\Delta I_{RIPPLE}} \times \frac{V_{OUT}}{V_{IN}} \times \frac{1}{F_S}$$

$$I_{RIPPLE} = K \times I_{OUTPUT}$$

where k is between 0.2 to 0.4.

Output Capacitor Selection

Output capacitor is basically decided by the amount of the output voltage ripple allowed during steady state (DC) load condition as well as specification for the load transient. The optimum design may require a couple of iterations to satisfy both conditions. The amount of voltage ripple during the DC load condition is determined by the following equation:

$$\Delta V_{RIPPLE} = ESR \times \Delta I_{RIPPLE} + \frac{\Delta I_{RIPPLE}}{8 \times F_S \times C_{OUT}}$$

Where ESR is the output capacitors' equivalent series resistance, C_{OUT} is the value of output capacitors. Typically when ceramic capacitors are selected as output capacitors, DC ripple spec is easy to be met, but multiple ceramic capacitors are required at the output to meet transient requirement.

Compensator Design

Due to the double pole generated by LC filter of the power stage, the power system has 180° phase shift, and therefore, is unstable by itself. In order to achieve accurate output voltage and fast transient response, compensator is employed to provide highest possible bandwidth and enough phase margin. Ideally, the Bode plot of the closed loop system has crossover frequency between $1/10$ and $1/5$ of the switching frequency, phase margin greater than 50° and the gain crossing 0dB with 20dB/decade.

Power stage output capacitors usually decide the compensator type. If electrolytic capacitors are chosen as output capacitors, type II compensator can be used to compensate the system, because the zero caused by output capacitor ESR is lower than crossover frequency. Otherwise type III compensator should be chosen.

A. Type III Compensator Design

For low ESR output capacitors, typically such as Sanyo Os-Con and Poscap, the frequency of ESR zero caused by output capacitors is higher than the crossover frequency. In this case, it is necessary to compensate the system with type III compensator.

The following figures and equations show how to realize the type III compensator by transconductance amplifier.

$$F_{Z1} = \frac{1}{2 \times \pi \times R_4 \times C_2}$$

$$F_{Z2} = \frac{1}{2 \times \pi \times (R_2 + R_3) \times C_3}$$

$$F_{P1} = \frac{1}{2 \times \pi \times R_3 \times C_3}$$

$$F_{P2} = \frac{1}{2 \times \pi \times R_4 \times \frac{C_1 \times C_2}{C_1 + C_2}}$$

Where, F_{Z1} , F_{Z2} , F_{P1} , and F_{P2} are poles and zeros in the compensator. Their locations are shown in figure 10. The transfer function of type III compensator for transconductance amplifier is given by:

$$\frac{V_e}{V_{OUT}} = \frac{1 - g_m \times Z_f}{1 + g_m \times Z_{in} + Z_{in}/R_1}$$

For the voltage amplifier, the transfer function of compensator is

$$\frac{V_e}{V_{OUT}} = \frac{-Z_f}{Z_{in}}$$

To achieve the same effect as voltage amplifier, the compensator of transconductance amplifier must satisfy this condition: $R_4 \gg 2/g_m$. And it would be desirable if $R_1 || R_2 || R_3 \gg 1/g_m$ can be met at the same time.

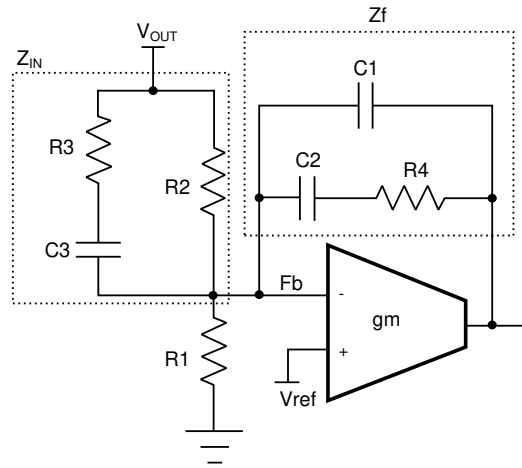


Figure 11 · Type III Compensator using Transconductance Amplifier

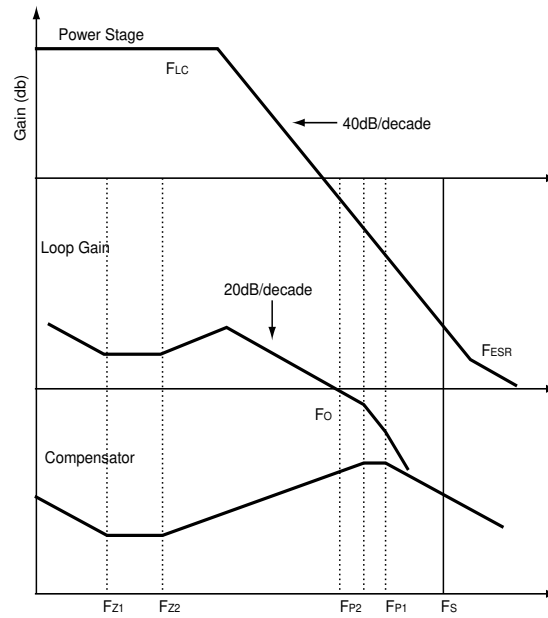


Figure 12 · Bode Plot of Type III Compensator

B. Type II Compensator Design

Type II compensator can be realized by simple RC circuit without feedback as shown in figure 12. R_3 and C_1 introduce a zero to cancel the double pole effect. C_2 introduces a pole to suppress the switching noise. The following equations show the compensator pole zero location and constant gain.

$$Gain = g_m \times \frac{R_1}{R_1 + R_2} \times R_3$$

$$F_Z = \frac{1}{2 \times \pi \times R_3 \times C_1}$$

$$F_P \approx \frac{1}{2 \times \pi \times R_3 \times C_2}$$

For this type of compensator, F_O has to satisfy $F_{LC} < F_{ESR} \ll F_O \leq 1/10 \sim 1/5 F_s$.

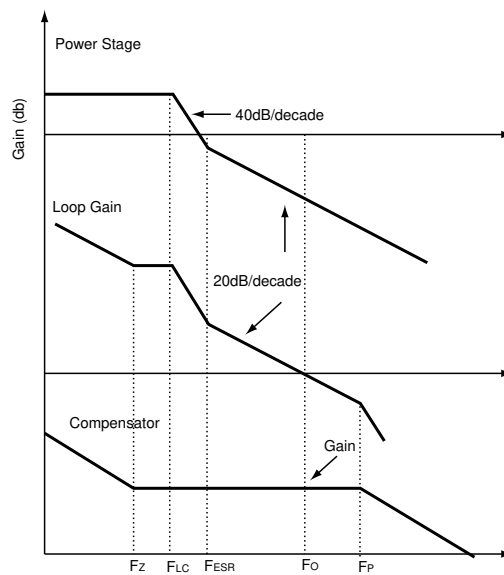


Figure 13 · Bode Plot of Type II Compensator

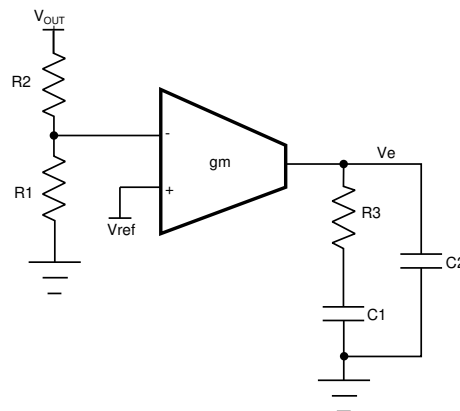


Figure 14 · Type II Compensator with Transconductance Amplifier

Output Voltage Calculation

Output voltage is set by reference voltage and external voltage divider. The reference voltage is fixed at 0.8V. The divider consists of two ratioed resistors so that the output voltage applied at the Fb pin is 0.8V when the output voltage is at the desired value. The following equation and picture show the relationship between V_{OUT} , V_{REF} , and voltage divider.

$$R_1 = \frac{R_2 \times V_{REF}}{V_{OUT} - V_{REF}}$$

Where, R_2 is part of the compensator, and the value of R_1 value can be set by voltage divider. See compensator design for R_1 and R_2 selection.

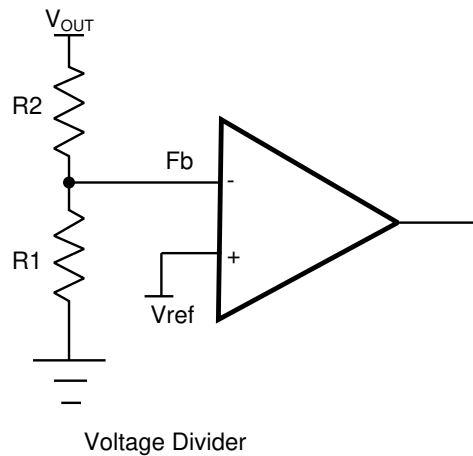


Figure 15 · Voltage Divider

Frequency Selection

The frequency can be set by external R_T resistor. The relationship between frequency and R_T pin is shown as follows:

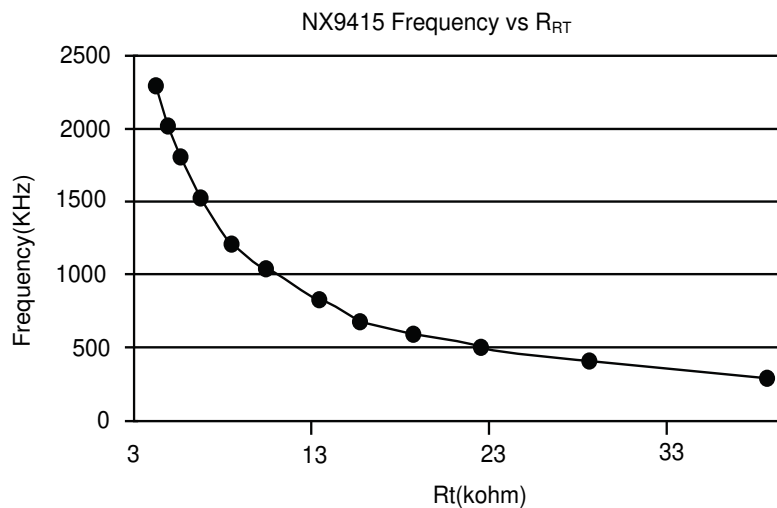


Figure 16 · Frequency Versus R_T Resistor

MCM 24 PIN 4 x 4 PACKAGE OUTLINE DIMENSIONS

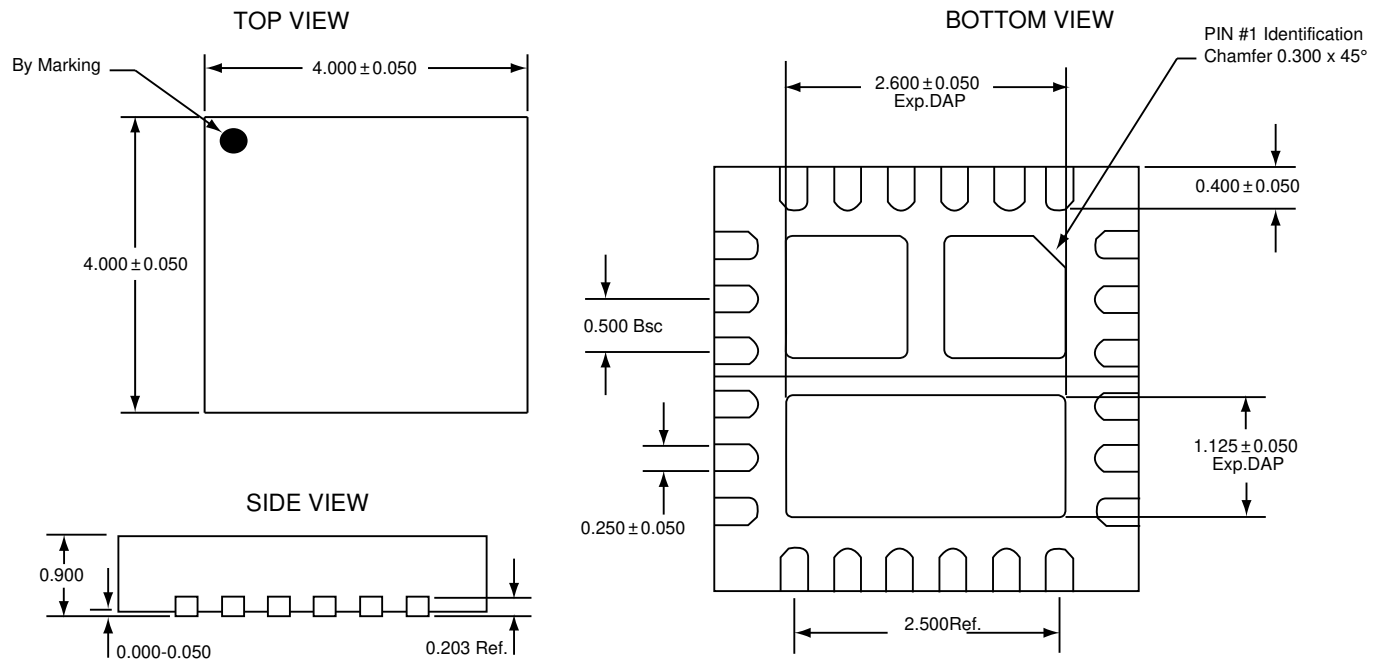


Figure 17 · Package Dimensions

Note: All dimensions are displayed in millimeters.



Microsemi Corporate Headquarters
One Enterprise, Aliso Viejo CA 92656 USA
Within the USA: +1 (949) 380-6100
Sales: +1 (949) 380-6136
Fax: +1 (949) 215-4996

Microsemi Corporation (NASDAQ: MSCC) offers a comprehensive portfolio of semiconductor solutions for: aerospace, defense and security; enterprise and communications; and industrial and alternative energy markets. Products include high-performance, high-reliability analog and RF devices, mixed signal and RF integrated circuits, customizable SoCs, FPGAs, and complete subsystems. Microsemi is headquartered in Aliso Viejo, Calif. Learn more at www.microsemi.com.

© 2013 Microsemi Corporation. All rights reserved. Microsemi and the Microsemi logo are trademarks of Microsemi Corporation. All other trademarks and service marks are the property of their respective owners.