



Chipsmall Limited consists of a professional team with an average of over 10 year of expertise in the distribution of electronic components. Based in Hongkong, we have already established firm and mutual-benefit business relationships with customers from,Europe,America and south Asia,supplying obsolete and hard-to-find components to meet their specific needs.

With the principle of “Quality Parts,Customers Priority,Honest Operation,and Considerate Service”,our business mainly focus on the distribution of electronic components. Line cards we deal with include Microchip,ALPS,ROHM,Xilinx,Pulse,ON,Everlight and Freescale. Main products comprise IC,Modules,Potentiometer,IC Socket,Relay,Connector.Our parts cover such applications as commercial,industrial, and automotives areas.

We are looking forward to setting up business relationship with you and hope to provide you with the best service and solution. Let us make a better world for our industry!



## Contact us

Tel: +86-755-8981 8866 Fax: +86-755-8427 6832

Email & Skype: info@chipsmall.com Web: www.chipsmall.com

Address: A1208, Overseas Decoration Building, #122 Zhenhua RD., Futian, Shenzhen, China



# NZMM7V0T4

## EMI Filter with ESD Protection

### Features:

- 4 × 4 mm Lead Less MLF Surface Mount Package
- 9 EMI/RFI Bi-directional “Pi” Low-Pass Filters
- ESD Protection Meets IEC6000–4–2
- 50 Watt Peak Pulse Power, 8 × 20 μs (all diodes under power)
- Diode Capacitance: 7 – 10 pF
- “Pi” Filter Line Capacitance: 22 ±20% pF
- Low Zener Diode Leakage: 1 μA Maximum
- Zener Breakdown Voltage; 6 – 8 Volts
- Moisture Sensitivity Level 1

### Benefits:

- Suppresses EMI/RFI Noise in Systems Subjected to Electromagnetic Interference
- Small Package Size Minimizes Parasitic Inductance, Thus a More “Ideal” Low Pass Filtering Response

### Typical Applications:

- Cellular Phones
- Communication Systems
- Computers
- Portable Products with Input/Output Conductors

### MAXIMUM RATINGS

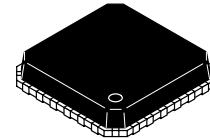
Rating	Symbol	Value	Unit
Peak Power Dissipation (Note 1) 8 × 20 μs Pulse	P <sub>PK</sub>	50	Watts
Maximum Junction Temperature	T <sub>J</sub>	150	°C

1. All diodes in parallel under power



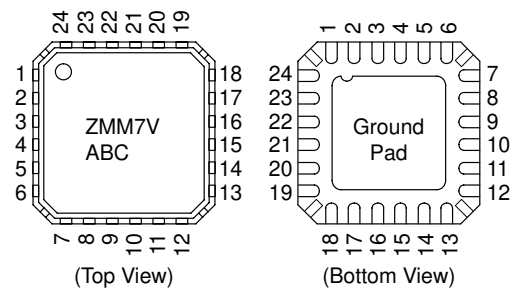
**ON Semiconductor®**

<http://onsemi.com>



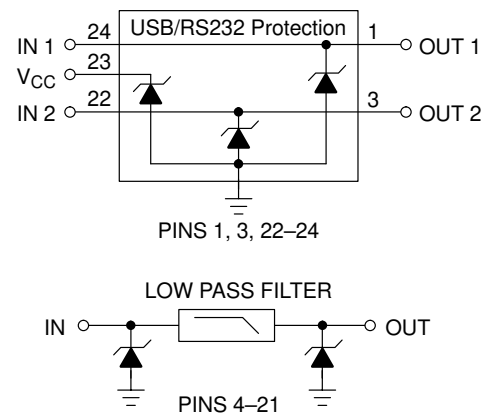
**24 PIN MLF  
CASE 485F  
PLASTIC**

### MARKING DIAGRAM



ZMM7V = Specific Device Code  
ABC = Date Code

### CIRCUIT DESCRIPTION



### ORDERING INFORMATION

Device	Package	Shipping
NZMM7V0T4	24 PIN	4000/Tape & Reel

# NZMM7V0T4

## ELECTRICAL CHARACTERISTICS

Symbol	Characteristic	Min	Typ	Max	Unit
$V_Z$	Zener Breakdown Voltage, @ $I_{ZT} = 1 \text{ mA}$	6.0	–	8.0	V
$I_F$	Zener Leakage Current, @ $V_R = 3 \text{ V}$	N/A	–	1.0	$\mu\text{A}$
$V_F$	Zener Forward Voltage, @ $I_F = 50 \text{ mA}$	N/A	–	1.25	V
Capacitance	Zener Internal Capacitance, @ 0 V Bias	7.0	–	10	pF
Capacitance	Zener/Resistor Array Line Capacitance	17.6	–	26.4	pF
Resistor	Resistance	90	–	110	$\Omega$
$F_C$ (Note 2)	Cutoff Frequency	–	220	–	MHz

2. 50  $\Omega$  Source and 50  $\Omega$  Lead Termination per Figure 2

## Frequency Response Specification

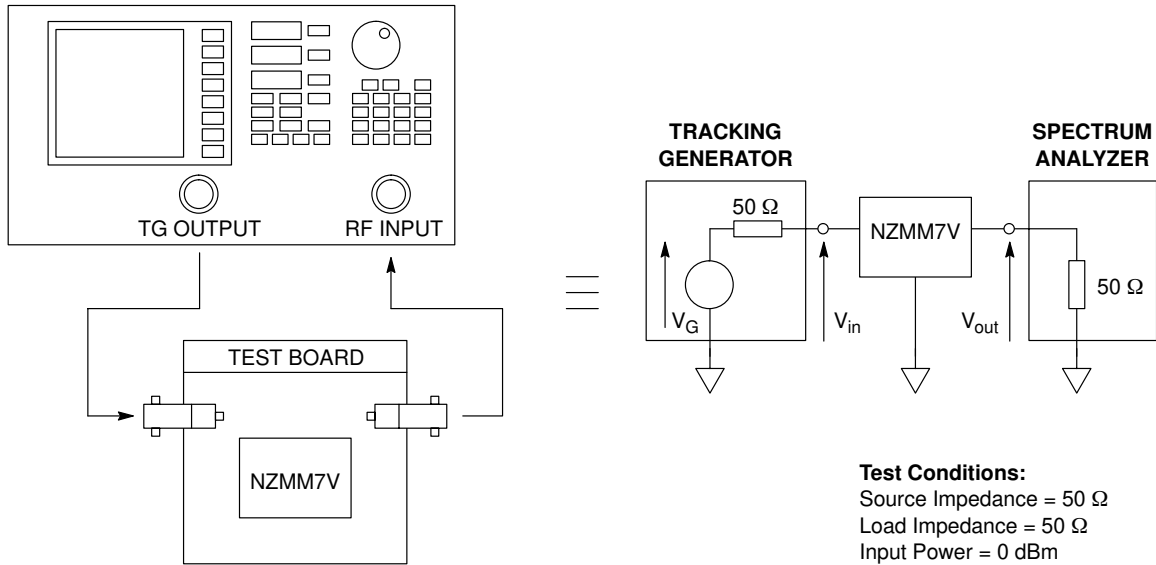


Figure 1. Measurement Conditions

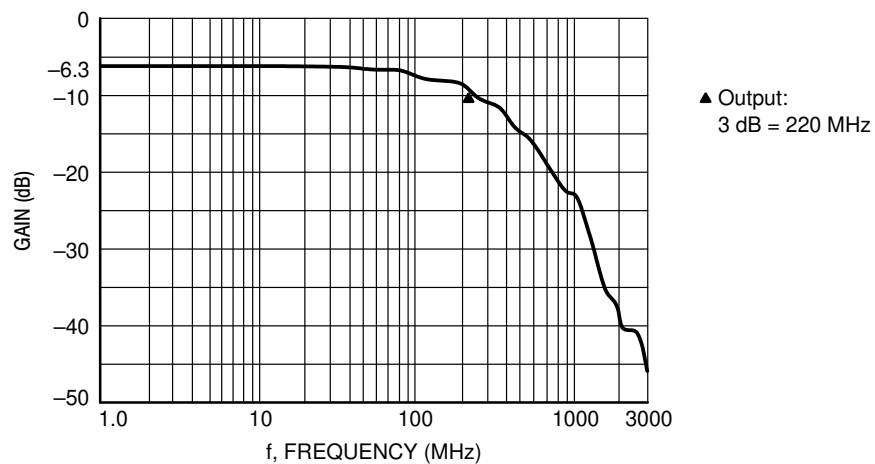
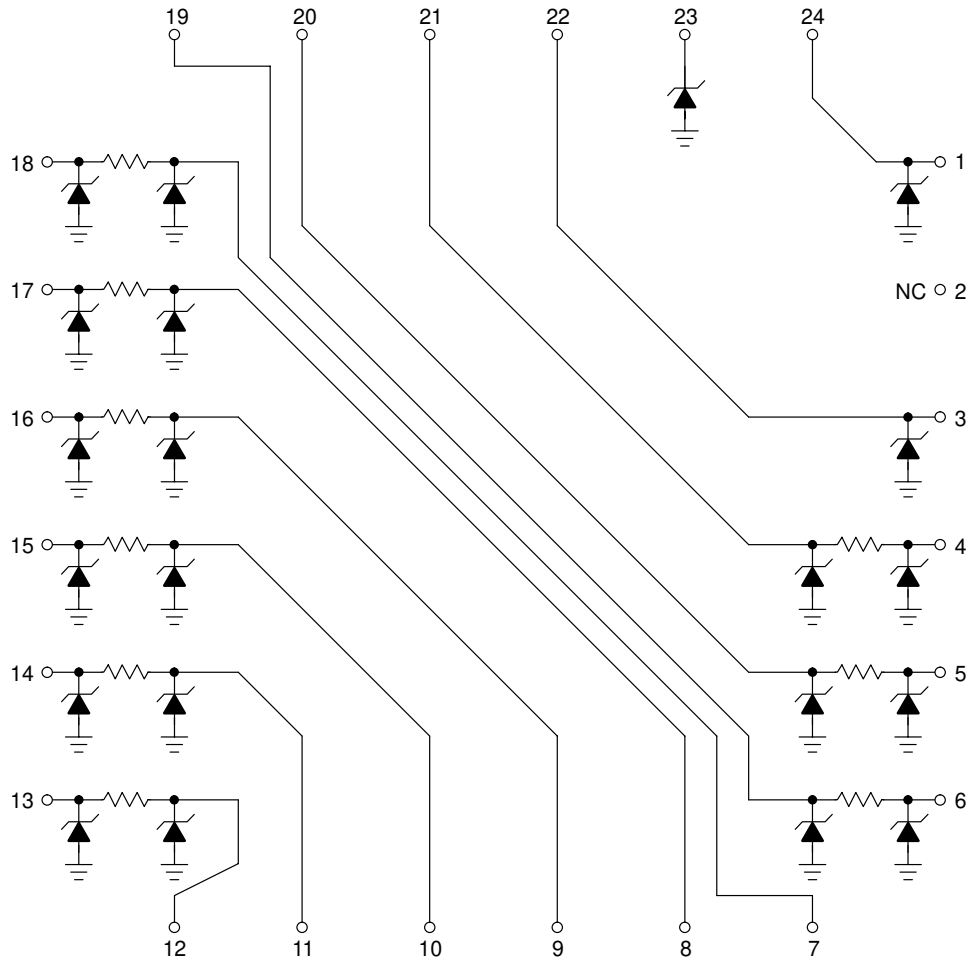


Figure 2. Typical EMI Filter Response  
 (50  $\Omega$  Source and 50  $\Omega$  Lead Termination)

# NZMM7V0T4

## Detailed Device Schematic



## Applications Information

### Suppressing Noise at the Source

- Filter all I/O signals leaving the noisy environment
- Locate I/O driver circuits close to the connector
- Use the longest rise/fall times possible for all digital signals

### Reducing Noise at the Receiver

- Filter all I/O signals entering the unit
- Locate the I/O filters as close as possible to the connector

### Minimizing Noise Coupling

- Use multilayer PCBs to minimize power and ground inductance
- Keep clock circuits away from the I/O connector
- Ground planes should be used whenever possible
- Minimize the loop area for all high speed signals
- Provide for adequate power decoupling

### ESD Protection

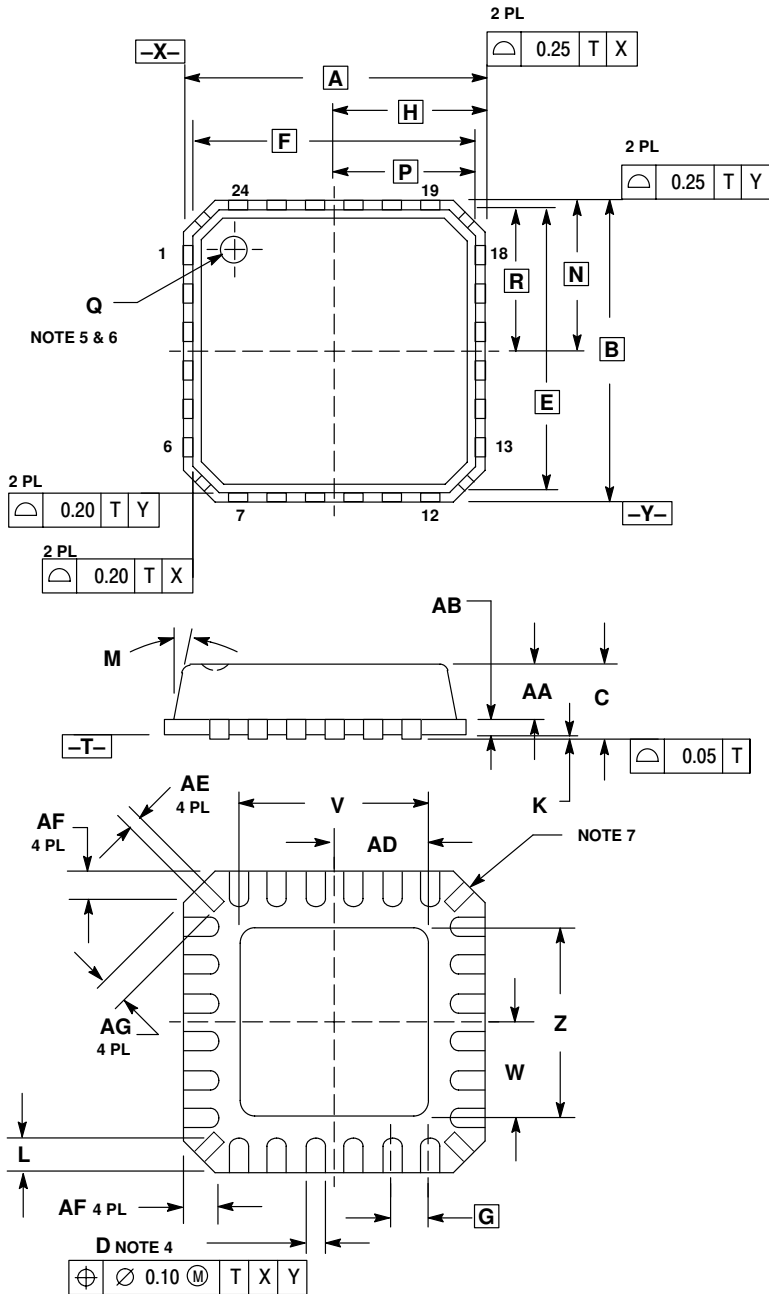
- Locate the suppression devices as close to the I/O connector as possible
- Minimize the PCB trace length to the suppression device
- Minimize the PCB trace length for the ground return for the suppression device

# NZMM7V0T4

## OUTLINE DIMENSIONS

# EMI Filter with ESD Protection

24 PIN MLF  
PLASTIC PACKAGE  
CASE 485F-01  
ISSUE O



**NOTES:**

1. DIMENSIONING AND TOLERANCING PER ANSI Y14.5M, 1982.
2. CONTROLLING DIMENSION: MILLIMETERS
3. DIE THICKNESS ALLOWABLE IS 0.305 MM MAXIMUM (0.012 INCHES MAXIMUM).
4. DIMENSION D APPLIES TO PLATED TERMINAL AND IS MEASURED BETWEEN 0.20 AND 0.25 MM FROM TERMINAL.
5. THE PIN #1 IDENTIFIER MUST BE ON THE TOP SURFACE OF THE PACKAGE BY USING IDENTIFICATION MARK OR OTHER FEATURE OF PACKAGE BODY.
6. EXACT SHAPE AND SIZE OF THIS FEATURE IS OPTIONAL.
7. THE SHAPE SHOWN ON FOUR CORNERS ARE NOT ACTUAL I/O.
8. PACKAGE WARPAGE MAX 0.05 MM.


DIM	MILLIMETERS		INCHES	
	MIN	MAX	MIN	MAX
A	4.00	BSC	0.157	BSC
B	4.00	BSC	0.157	BSC
C	---	1.00	---	0.039
D	0.18	0.30	0.007	0.012
E	3.75	BSC	0.148	BSC
F	3.75	BSC	0.148	BSC
G	0.50	BSC	0.020	BSC
H	2.00	BSC	0.79	BSC
K	0.01	0.05	0.000	0.002
L	0.30	0.55	0.012	0.022
M	---	12 °	---	12 °
N	2.00	BSC	0.079	BSC
P	1.88	BSC	0.074	BSC
Q	0.50	DIA	0.020	DIA
R	1.88	BSC	0.079	BSC
V	2.50	BSC	0.098	BSC
W	1.30	BSC	0.051	BSC
Z	2.50	BSC	0.098	BSC
AA	0.65	0.80	0.026	0.031
AB	0.20	REF	0.008	REF
AD	1.30	BSC	0.051	BSC
AE	0.13	0.23	0.005	0.009
AF	0.24	0.60	0.009	0.024
AG	0.30	0.45	0.012	0.018

**Notes**

**Notes**

## Notes



**ON Semiconductor** and  are registered trademarks of Semiconductor Components Industries, LLC (SCILLC). SCILLC reserves the right to make changes without further notice to any products herein. SCILLC makes no warranty, representation or guarantee regarding the suitability of its products for any particular purpose, nor does SCILLC assume any liability arising out of the application or use of any product or circuit, and specifically disclaims any and all liability, including without limitation special, consequential or incidental damages. "Typical" parameters which may be provided in SCILLC data sheets and/or specifications can and do vary in different applications and actual performance may vary over time. All operating parameters, including "Typicals" must be validated for each customer application by customer's technical experts. SCILLC does not convey any license under its patent rights nor the rights of others. SCILLC products are not designed, intended, or authorized for use as components in systems intended for surgical implant into the body, or other applications intended to support or sustain life, or for any other application in which the failure of the SCILLC product could create a situation where personal injury or death may occur. Should Buyer purchase or use SCILLC products for any such unintended or unauthorized application, Buyer shall indemnify and hold SCILLC and its officers, employees, subsidiaries, affiliates, and distributors harmless against all claims, costs, damages, and expenses, and reasonable attorney fees arising out of, directly or indirectly, any claim of personal injury or death associated with such unintended or unauthorized use, even if such claim alleges that SCILLC was negligent regarding the design or manufacture of the part. SCILLC is an Equal Opportunity/Affirmative Action Employer.

## PUBLICATION ORDERING INFORMATION

### Literature Fulfillment:

Literature Distribution Center for ON Semiconductor  
P.O. Box 5163, Denver, Colorado 80217 USA  
**Phone:** 303-675-2175 or 800-344-3860 Toll Free USA/Canada  
**Fax:** 303-675-2176 or 800-344-3867 Toll Free USA/Canada  
**Email:** ONlit@hibbertco.com

**N. American Technical Support:** 800-282-9855 Toll Free USA/Canada

**JAPAN:** ON Semiconductor, Japan Customer Focus Center  
2-9-1 Kamimeguro, Meguro-ku, Tokyo, Japan 153-0051  
**Phone:** 81-3-5773-3850  
**Email:** r14525@onsemi.com

**ON Semiconductor Website:** <http://onsemi.com>

For additional information, please contact your local Sales Representative.