



Chipsmall Limited consists of a professional team with an average of over 10 year of expertise in the distribution of electronic components. Based in Hongkong, we have already established firm and mutual-benefit business relationships with customers from,Europe,America and south Asia,supplying obsolete and hard-to-find components to meet their specific needs.

With the principle of “Quality Parts,Customers Priority,Honest Operation,and Considerate Service”,our business mainly focus on the distribution of electronic components. Line cards we deal with include Microchip,ALPS,ROHM,Xilinx,Pulse,ON,Everlight and Freescale. Main products comprise IC,Modules,Potentiometer,IC Socket,Relay,Connector.Our parts cover such applications as commercial,industrial, and automotives areas.

We are looking forward to setting up business relationship with you and hope to provide you with the best service and solution. Let us make a better world for our industry!



Contact us

Tel: +86-755-8981 8866 Fax: +86-755-8427 6832

Email & Skype: info@chipsmall.com Web: www.chipsmall.com

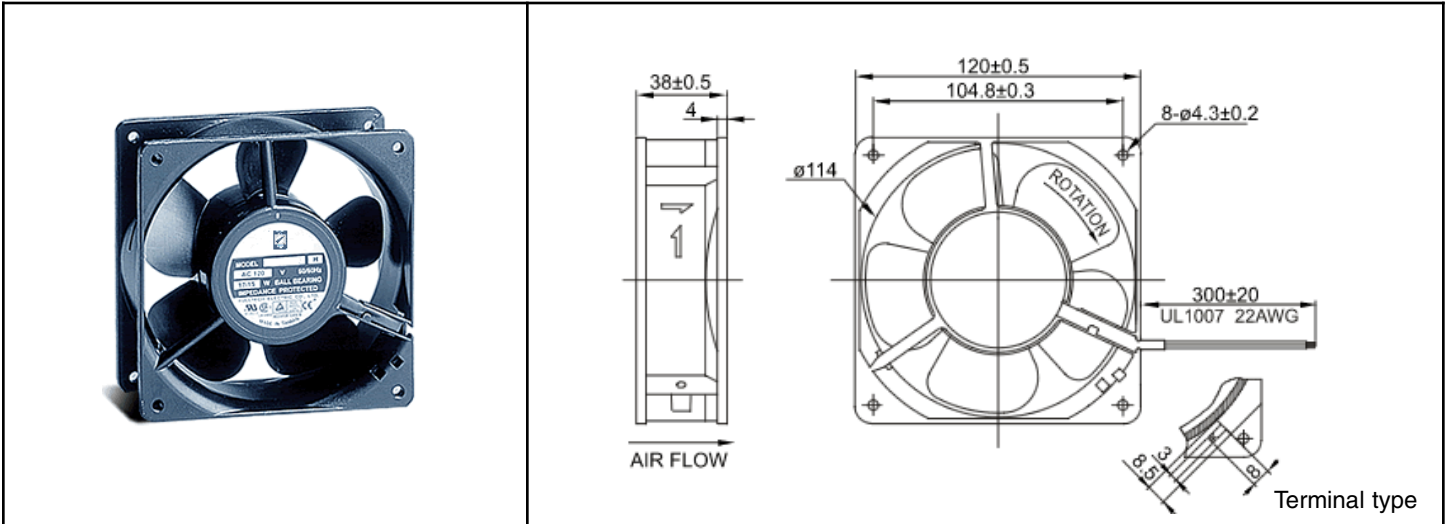
Address: A1208, Overseas Decoration Building, #122 Zhenhua RD., Futian, Shenzhen, China



OA109AP-22-1TBIP55



AC Fan - 230V
120x38mm (4.7"x 1.5")



Frame	Diecast Aluminum	<p><u>Operating Temperature</u> -20C ~ +70C</p> <p><u>Life Expectancy</u> >40,000 hours (L10, 40C)</p> <p>Rated IP55</p> <p>Class B Insulation</p>	
Impeller	PBT, UL94V-O plastic		
Connection	Terminals		
Motor	AC shaded pole, impedance and thermally protected		
Bearing System	Dual Ball		
Insulation Resistance	>100M ohm between leadwire and frame (500VDC)		
Dielectric Strength	1 min at 1500 VAC, 50/60Hz		

Model Number	OA109AP-22-1TBIP55
Part Number	210615302
Nominal Voltage	230 VAC
Nominal Current	0.08 A (locked 0.12 A)
Rated Power	15 W (60Hz)
Rated Speed (RPM)	3100
Airflow (CFM)	106
Noise Level (dB)	46
Max. Static Pressure	0.32" H ₂ O