



Chipsmall Limited consists of a professional team with an average of over 10 year of expertise in the distribution of electronic components. Based in Hongkong, we have already established firm and mutual-benefit business relationships with customers from,Europe,America and south Asia,supplying obsolete and hard-to-find components to meet their specific needs.

With the principle of “Quality Parts,Customers Priority,Honest Operation,and Considerate Service”,our business mainly focus on the distribution of electronic components. Line cards we deal with include Microchip,ALPS,ROHM,Xilinx,Pulse,ON,Everlight and Freescale. Main products comprise IC,Modules,Potentiometer,IC Socket,Relay,Connector.Our parts cover such applications as commercial,industrial, and automotives areas.

We are looking forward to setting up business relationship with you and hope to provide you with the best service and solution. Let us make a better world for our industry!



Contact us

Tel: +86-755-8981 8866 Fax: +86-755-8427 6832

Email & Skype: info@chipsmall.com Web: www.chipsmall.com

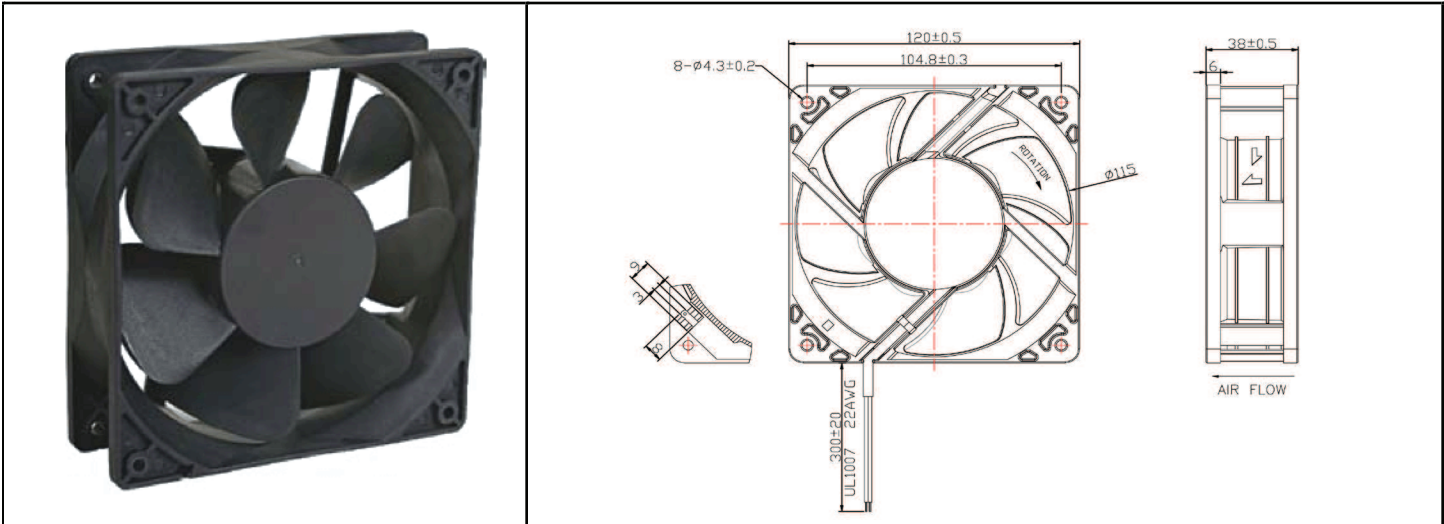
Address: A1208, Overseas Decoration Building, #122 Zhenhua RD., Futian, Shenzhen, China



OA109EC IP68-ATEX Series



AC Fan - 115V / 230V Universal Input
120x38mm (4.7"x 1.5")



Frame	PBT, UL94V-O plastic	Operating Temperature Ball Bearing -20C ~ +70C Life Expectancy Ball Bearing 60,000 hours (L10 at 40C) IP68 Rating with ATEX Certification Weight .64 lbs m2	
Impeller	PBT, UL94V-O plastic		
Connection	2x Lead wires,(300mm) or Terminals		
Motor	EC Motor, thermally protected,		
Bearing System	Dual ball		
Insulation Resistance	>10M ohm between leadwire and frame (500VDC)		
Dielectric Strength	1 sec at 1800 VAC, 50/60Hz		

Model Number	OA109EC-UR-1*BIP68A
Nominal Voltage	115/230 univ. input
Voltage Range	90 ~ 265 VAC
Rated Current	.08A @ 115V, .06A @ 230V
Nominal Power	4.9W @ 115V, 5.2W @ 230V
Rated Speed (RPM)	3200
Airflow (CFM)	106
Noise Level (dB)	43
Max. Static Pressure	0.34" H ₂ O

● * Indicate "T" (Terminal), or "W" (12" Wire Leads)