



Chipsmall Limited consists of a professional team with an average of over 10 year of expertise in the distribution of electronic components. Based in Hongkong, we have already established firm and mutual-benefit business relationships with customers from,Europe,America and south Asia,supplying obsolete and hard-to-find components to meet their specific needs.

With the principle of “Quality Parts,Customers Priority,Honest Operation,and Considerate Service”,our business mainly focus on the distribution of electronic components. Line cards we deal with include Microchip,ALPS,ROHM,Xilinx,Pulse,ON,Everlight and Freescale. Main products comprise IC,Modules,Potentiometer,IC Socket,Relay,Connector.Our parts cover such applications as commercial,industrial, and automotives areas.

We are looking forward to setting up business relationship with you and hope to provide you with the best service and solution. Let us make a better world for our industry!



Contact us

Tel: +86-755-8981 8866 Fax: +86-755-8427 6832

Email & Skype: info@chipsmall.com Web: www.chipsmall.com

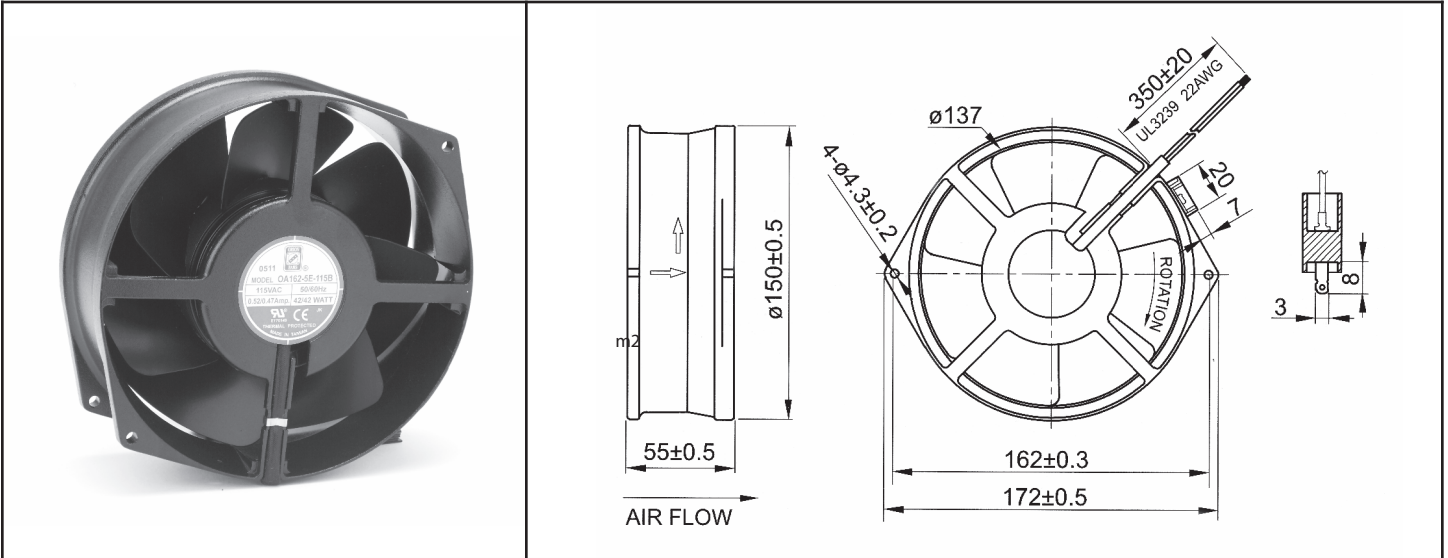
Address: A1208, Overseas Decoration Building, #122 Zhenhua RD., Futian, Shenzhen, China



OA162 Series



AC Fan - 115V, 230V
172 x 55mm (6.7" x 2.2")



| | | | |
|-----------------------|--|--|--|
| Frame & Impeller | Diecast Aluminum | <p><u>Operating Temperature</u> Ball Bearing -40C ~ +70C Storage Temp -40C ~ +80C</p> <p><u>Life Expectancy</u> Ball Bearing 60,000 hours (L10 at 40C)</p> <p>Weight: ~ 2.4 lbs. *230V version comes with 610mm(24") leads</p> | |
| Connection | Terminals or Lead Wires | | |
| Motor | Shaded Pole, thermally protected | | |
| Bearing System | Dual ball (Sleeve available) | | |
| Insulation Resistance | >100M ohm between lead-wire and frame (500VDC) | | |
| Dielectric Strength | 1 min at 1500 VAC, 50/60Hz | | |

| | | |
|----------------------|------------------------|------------------------|
| Part Number | OA162-5E-115-WB | OA162-5E-230-WB24* |
| Nominal Voltage | 115 VAC | 230 VAC |
| Voltage Range | 80 ~ 130 VAC | 160 ~ 260 VAC |
| Rated Power | 31 W (60Hz) | 31 W (60Hz) |
| Rated Speed (RPM) | 3400 | 3400 |
| Airflow (CFM) | 241 | 241 |
| Noise Level (dB) | 66 | 66 |
| Max. Static Pressure | 0.73" H ₂ O | 0.73" H ₂ O |