



Chipsmall Limited consists of a professional team with an average of over 10 year of expertise in the distribution of electronic components. Based in Hongkong, we have already established firm and mutual-benefit business relationships with customers from,Europe,America and south Asia,supplying obsolete and hard-to-find components to meet their specific needs.

With the principle of "Quality Parts,Customers Priority,Honest Operation,and Considerate Service",our business mainly focus on the distribution of electronic components. Line cards we deal with include Microchip,ALPS,ROHM,Xilinx,Pulse,ON,Everlight and Freescale. Main products comprise IC,Modules,Potentiometer,IC Socket,Relay,Connector.Our parts cover such applications as commercial,industrial, and automotives areas.

We are looking forward to setting up business relationship with you and hope to provide you with the best service and solution. Let us make a better world for our industry!



Contact us

Tel: +86-755-8981 8866 Fax: +86-755-8427 6832

Email & Skype: info@chipsmall.com Web: www.chipsmall.com

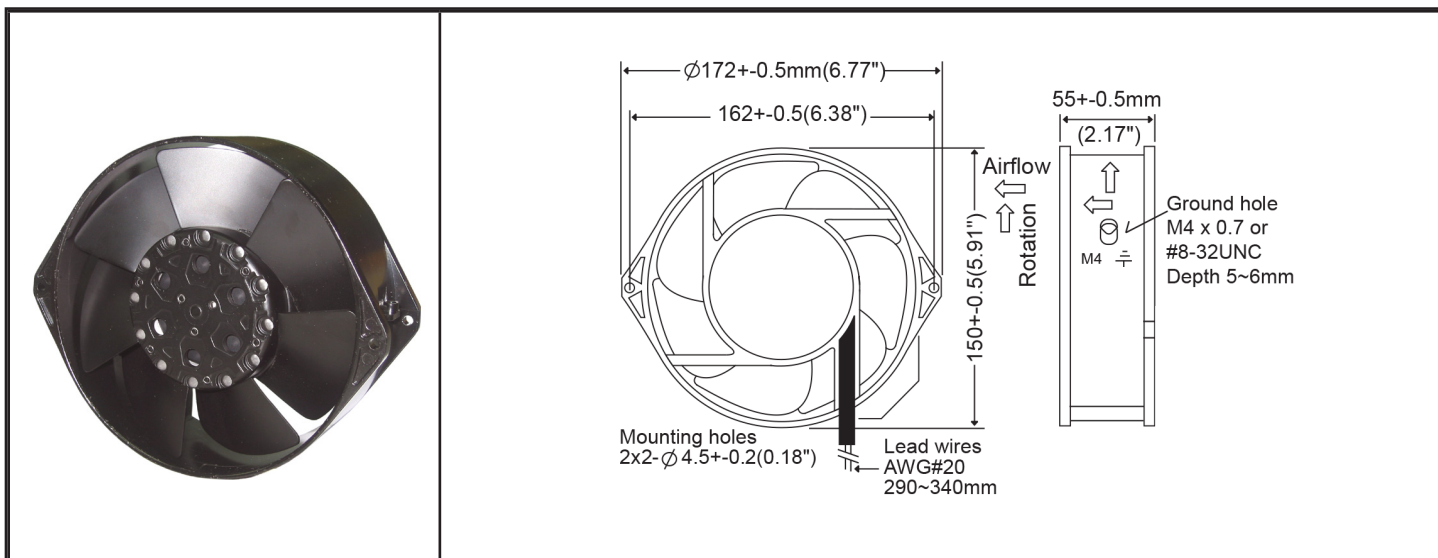
Address: A1208, Overseas Decoration Building, #122 Zhenhua RD., Futian, Shenzhen, China



OA162AP Metal Series



AC - Harsh Environment
172 x 55mm (6.7" x 2.17")



Frame	Aluminum Die-cast	Notes	
Impeller	Metal alloy	Date: 050113	
Connection	2x Lead wires	Environmental Protection: IP55	
Motor	AC Shaded pole, Thermal protection	Storage Temp: -40C ~ +100C	
Bearing System	Dual Ball bearing	Weight: 1200g (2.7 lbs)	
Insulation Resistance	>100MOhm at 500VDC	Available AC voltages by special order: 12, 24, 28, 38, 42, 48, 440, 480. Dual speed also available. Call for information.	
Dielectric Strength	> 60 seconds at 1500VAC		
Operating Temp Range	-30C ~ +80C (non-condensing)		
Life Expectancy	50000 hours (55C)		

Model No.	Speed (RPM)	Airflow (CFM)	Noise	Volts AC	Voltage Range AC	Watts	Max. Static Pressure ("H ₂ O)	Curves
OA162AP-11-1WB 1855	2750 3200	183 210	54	115	100 ~ 120	47 42	0.49 0.42	2 (50Hz)
								1 (60Hz)
OA162AP-11-2WB 1855	2400 2500	160 165	46	115	100 ~ 120	35 32	0.42 0.35	4 (50Hz)
								3 (60Hz)
OA162AP-11-3WB 1855	1500 1600	100 110	35	115	100 ~ 120	23 20	0.28 0.22	6 (50Hz)
								5 (60Hz)
OA162AP-22-1WB 1855	2750 3200	183 210	54	230	200 ~ 240	47 42	0.49 0.42	2 (50Hz)
								1 (60Hz)
OA162AP-22-2WB 1855	2400 2500	160 165	46	230	200 ~ 240	35 32	0.42 0.35	4 (50Hz)
								3 (60Hz)
OA162AP-22-3WB 1855	1500 1600	100 110	35	230	200 ~ 240	23 20	0.28 0.22	6 (50Hz)
								5 (60Hz)