



Chipsmall Limited consists of a professional team with an average of over 10 year of expertise in the distribution of electronic components. Based in Hongkong, we have already established firm and mutual-benefit business relationships with customers from,Europe,America and south Asia,supplying obsolete and hard-to-find components to meet their specific needs.

With the principle of “Quality Parts,Customers Priority,Honest Operation,and Considerate Service”,our business mainly focus on the distribution of electronic components. Line cards we deal with include Microchip,ALPS,ROHM,Xilinx,Pulse,ON,Everlight and Freescale. Main products comprise IC,Modules,Potentiometer,IC Socket,Relay,Connector.Our parts cover such applications as commercial,industrial, and automotives areas.

We are looking forward to setting up business relationship with you and hope to provide you with the best service and solution. Let us make a better world for our industry!



Contact us

Tel: +86-755-8981 8866 Fax: +86-755-8427 6832

Email & Skype: info@chipsmall.com Web: www.chipsmall.com

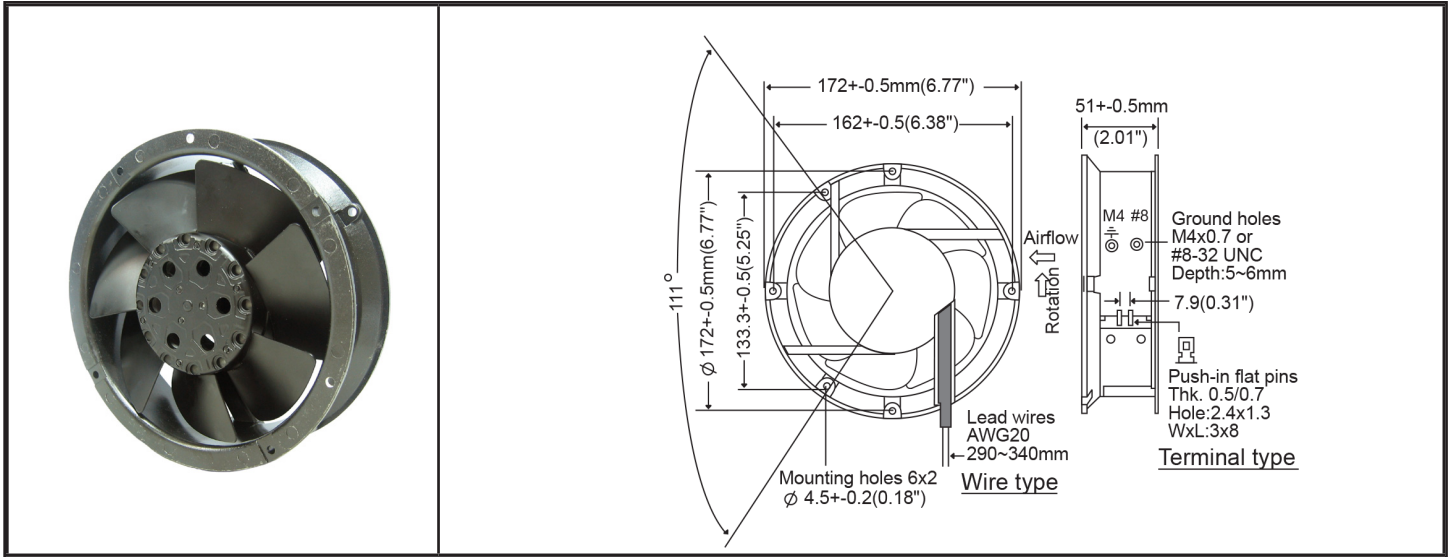
Address: A1208, Overseas Decoration Building, #122 Zhenhua RD., Futian, Shenzhen, China



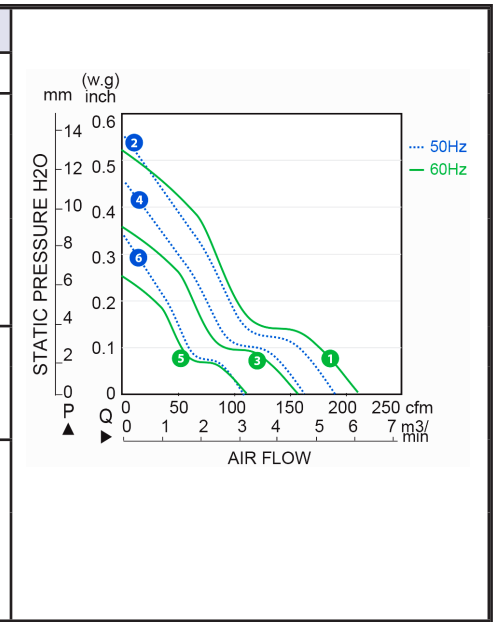
OA172AP Metal Series



AC - Harsh Environment 172 x 51mm (6.7" x 2.0")



Frame	Aluminum Die-cast	Notes
Impeller	Metal alloy	Date: 050113
Connection *	Lead wires or Terminal	Environmental Protection: IP55
Motor	AC Shaded pole, Thermal protection	Storage Temp: -40C ~ +100C
Bearing System	Dual Ball bearing	Weight: 1350g (2.98 lbs)
Insulation Resistance	>100MOhm at 500VDC	Available AC voltages by special order: 12, 24, 28, 38, 42, 48, 440, 480. Dual speed also available. Call for information.
Dielectric Strength	> 60 seconds at 1500VAC	
Operating Temp Range	-30C ~ +80C (non-condensing)	* Specify configuration: TB = Terminal, Ball bearing
Life Expectancy	50000 hours (55C)	WB = Wire leads, Ball bearing



Model No.	Speed (RPM)	Airflow (CFM)	Noise	Volts AC	Voltage Range AC	Watts	Max. Static Pressure ("H ₂ O)	Curves
OA172AP-11-1 * 1855	2750 3200	190 215	59	115	100 ~ 120	47 42	0.57 0.51	2 (50Hz) 1 (60Hz)
OA172AP-11-2 * 1855	2350 2300	162 155	48	115	100 ~ 120	35 32	0.46 0.37	4 (50Hz) 3 (60Hz)
OA172AP-11-3 * 1855	1500 1600	105 110	36	115	100 ~ 120	23 20	0.33 0.27	6 (50Hz) 5 (60Hz)
OA172AP-22-1 * 1855	2750 3200	190 215	59	230	200 ~ 240	47 42	0.57 0.51	2 (50Hz) 1 (60Hz)
OA172AP-22-2 * 1855	2350 2300	162 155	48	230	200 ~ 240	35 32	0.46 0.37	4 (50Hz) 3 (60Hz)
OA172AP-22-3 * 1855	1500 1600	105 110	36	230	200 ~ 240	23 20	0.33 0.27	6 (50Hz) 5 (60Hz)