



Chipsmall Limited consists of a professional team with an average of over 10 year of expertise in the distribution of electronic components. Based in Hongkong, we have already established firm and mutual-benefit business relationships with customers from,Europe,America and south Asia,supplying obsolete and hard-to-find components to meet their specific needs.

With the principle of “Quality Parts,Customers Priority,Honest Operation,and Considerate Service”,our business mainly focus on the distribution of electronic components. Line cards we deal with include Microchip,ALPS,ROHM,Xilinx,Pulse,ON,Everlight and Freescale. Main products comprise IC,Modules,Potentiometer,IC Socket,Relay,Connector.Our parts cover such applications as commercial,industrial, and automotives areas.

We are looking forward to setting up business relationship with you and hope to provide you with the best service and solution. Let us make a better world for our industry!



## Contact us

Tel: +86-755-8981 8866 Fax: +86-755-8427 6832

Email & Skype: info@chipsmall.com Web: www.chipsmall.com

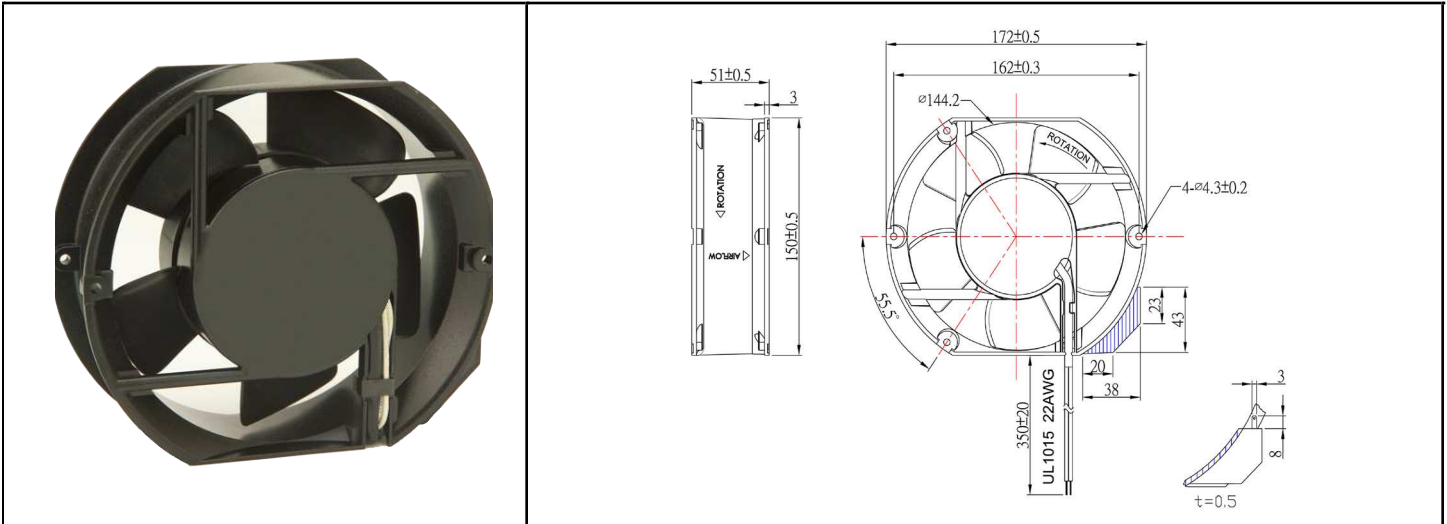
Address: A1208, Overseas Decoration Building, #122 Zhenhua RD., Futian, Shenzhen, China



# OA172EC Series



AC Fan - 115V, 230V  
172x150x51mm (6.7"x2.0")



Frame	Aluminum (ADC-12)	Operating Temperature Ball Bearing -20C ~ +70C	
Impeller	PBT, UL94V-O plastic		
Connection	2x Lead wires,(300mm) or Terminals	Life Expectancy Ball Bearing 50,000 hours (L10 at 40C)	
Motor	EC Motor, thermally protected,	Weight 1.54 lbs	
Bearing System	Dual ball		
Insulation Resistance	10M ohm between leadwire and frame (500VDC)	m2	
Dielectric Strength	1 sec at 1800 VAC, 50/60Hz		

Model Number	OA172EC-11-1*B	OA172EC-22-1*B
Nominal Voltage	115 VAC (50/60Hz)	230 VAC (50/60Hz)
Voltage Range	103 ~ 127 VAC (50/60Hz)	207 ~ 253 VAC (50/60Hz)
Rated Current	0.23 A	0.13 A
Nominal Power	15 W	15 W
Rated Speed (RPM)	3000	3000
Airflow (CFM)	220	220
Noise Level (dB)	57	57
Max. Static Pressure	0.62" H <sub>2</sub> O	0.62" H <sub>2</sub> O

● \* Indicate "T" (Terminal), or "W" (12" Wire Leads)