



Chipsmall Limited consists of a professional team with an average of over 10 year of expertise in the distribution of electronic components. Based in Hongkong, we have already established firm and mutual-benefit business relationships with customers from,Europe,America and south Asia,supplying obsolete and hard-to-find components to meet their specific needs.

With the principle of "Quality Parts,Customers Priority,Honest Operation,and Considerate Service",our business mainly focus on the distribution of electronic components. Line cards we deal with include Microchip,ALPS,ROHM,Xilinx,Pulse,ON,Everlight and Freescale. Main products comprise IC,Modules,Potentiometer,IC Socket,Relay,Connector.Our parts cover such applications as commercial,industrial, and automotives areas.

We are looking forward to setting up business relationship with you and hope to provide you with the best service and solution. Let us make a better world for our industry!



Contact us

Tel: +86-755-8981 8866 Fax: +86-755-8427 6832

Email & Skype: info@chipsmall.com Web: www.chipsmall.com

Address: A1208, Overseas Decoration Building, #122 Zhenhua RD., Futian, Shenzhen, China



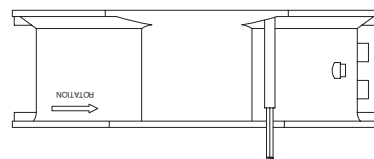
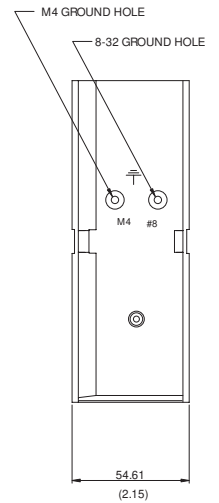
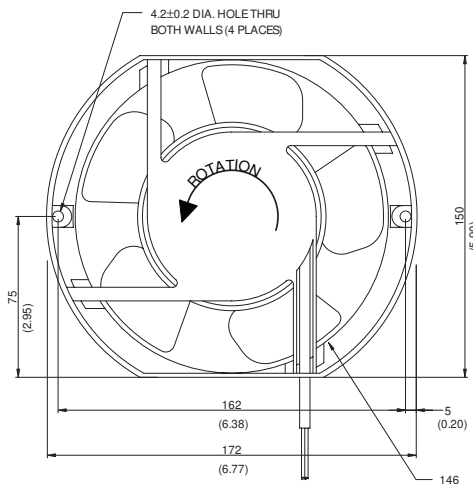
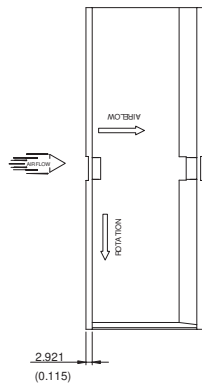
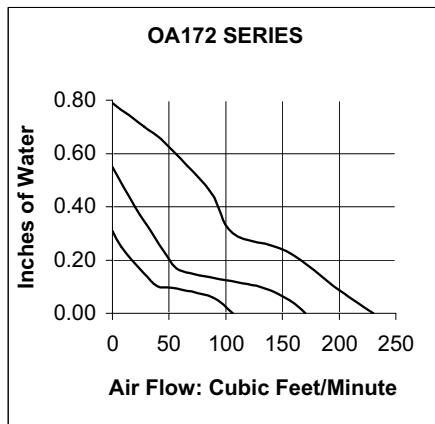
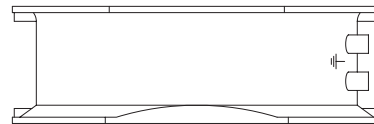
ORION AC Cooling Fans



172 X 150 X 51mm (6.72" X 5.91" X 2.0")



Motor Capacitance driven, impedance protected
Frame/Housing Aluminum die-cast
 Painted black (AP)*
Impeller Glass reinforced thermoplastic, (UL94V-0)
Bearing System Dual Ball Bearing only
Dielectric Strength 1 min. at 1,500VAC, 50/60Hz.
Operating Temperature -20°C~+75°C
Life Expectancy at 40°C 60,000 hours (L10)
Safety Approvals UL, CUL, TÜV



(Wire termination shown)

Model Number	Speed (RPM)	Max CFM	Noise (dB)	Volts	Voltage Range	Watts	Max. Static Pressure Inches
OA172SAP-11-1 [] B	3500	235	46	115	80 ~ 130	35.0	.79
OA172SAP-11-2 [] B	2400	170	35	115	80 ~ 130	20.0	.55
OA172SAP-11-3 [] B	1500	106	27	115	80 ~ 130	16.0	.31
OA172SAP-22-1 [] B	3500	235	46	230	160~260	35.0	.79
OA172SAP-22-2 [] B	2400	170	35	230	160~260	20.0	.55
OA172SAP-22-3 [] B	1500	106	27	230	160~260	16.0	.31

Natural Aluminum finish available: Substitute "SAN" for "SAP". *Also available with a round frame: Substitute "AN" for "SAP" for natural sanded & milled aluminum, or "AP" for Aluminum painted black.

[] Indicate [T] Terminal or [W] Wire

*Round frame
 OA172AN Series
 OA172AP Series

NOTE: This size fan also available with a shaded pole motor. Reference OA162 Series and call ORION for more detailed information.

Accessory Information:
 Finger Guard: G172-10HA
 Plastic Guard: G172P
 Aluminum Filter: WMG172M
 Filter Kit: GRM172-45
 Power Cord: (Any configuration)