



Chipsmall Limited consists of a professional team with an average of over 10 year of expertise in the distribution of electronic components. Based in Hongkong, we have already established firm and mutual-benefit business relationships with customers from,Europe,America and south Asia,supplying obsolete and hard-to-find components to meet their specific needs.

With the principle of “Quality Parts,Customers Priority,Honest Operation,and Considerate Service”,our business mainly focus on the distribution of electronic components. Line cards we deal with include Microchip,ALPS,ROHM,Xilinx,Pulse,ON,Everlight and Freescale. Main products comprise IC,Modules,Potentiometer,IC Socket,Relay,Connector.Our parts cover such applications as commercial,industrial, and automotives areas.

We are looking forward to setting up business relationship with you and hope to provide you with the best service and solution. Let us make a better world for our industry!



Contact us

Tel: +86-755-8981 8866 Fax: +86-755-8427 6832

Email & Skype: info@chipsmall.com Web: www.chipsmall.com

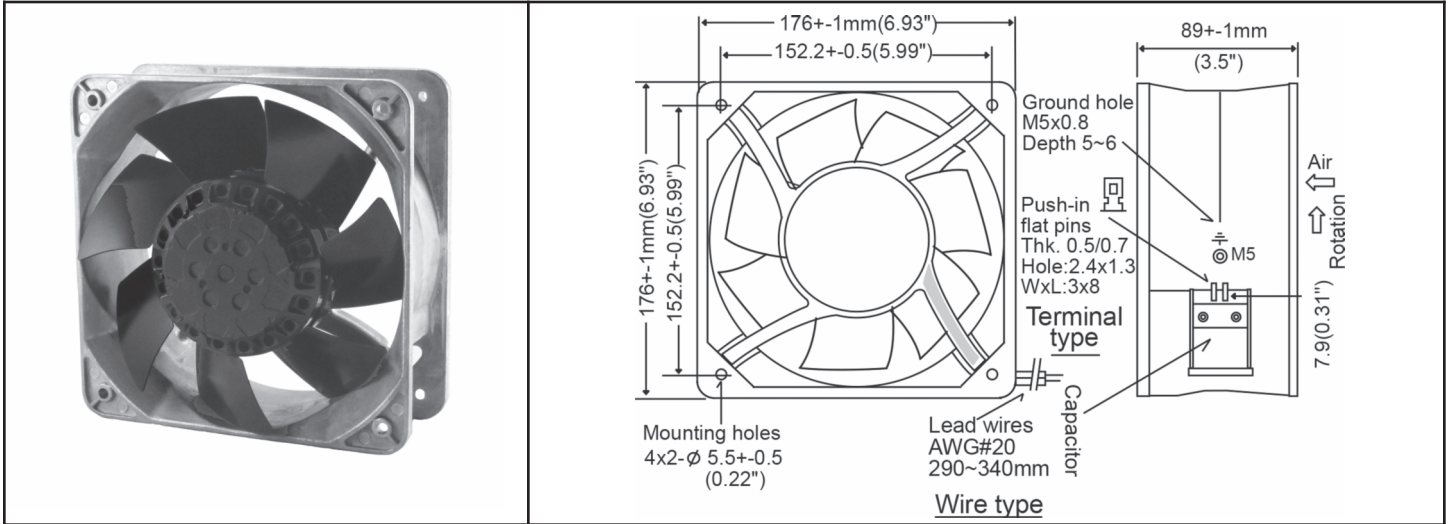
Address: A1208, Overseas Decoration Building, #122 Zhenhua RD., Futian, Shenzhen, China



OA180AN Series - All Metal



AC Fan - 115V, 230V
176 x 89mm (6.9" x 3.5")



Frame	Diecast Aluminum	Operating Temperature Ball Bearing -30C ~ +80C (non-condensing) Storage Temp -40C ~ +100C Life Expectancy Ball Bearing 50,000 hours (L10 at 55C) Environmental Protection IP56 Weight: ~ 4.1 lbs m0	
Impeller	Metal Alloy		
Connection	2x Lead Wires 20 AWG or terminals		
Motor	AC Capacitor Inductance, thermally protected		
Bearing System	Dual ball bearing		
Insulation Resistance	>100M ohm between lead-wire and frame (500VDC)		
Dielectric Strength	1 min at 1500 VAC, 50/60Hz		

Model Number	Speed (RPM)	Airflow (CFM)	Noise (dB)	Volts AC	Voltage Range	Watts	Max. Static Pressure ("H ₂ O)	Curves
OA180AN-11-1 * 1856	2750 3250	330 380	63	115	100~120	60 80	0.69 0.76	2 (50Hz) 1 (60Hz)
OA180AN-11-2 * 1856	2350 2250	285 275	52	115	100~120	55 65	0.59 0.53	4 (50Hz) 3 (60Hz)
OA180AN-11-3 * 1856	1450 1650	175 210	41	115	100~120	20 30	0.36 0.39	6 (50Hz) 5 (60Hz)
OA180AN-22-1 * 1856	2750 3250	330 380	63	230	200~240	60 80	0.69 0.76	2 (50Hz) 1 (60Hz)
OA180AN-22-2 * 1856	2350 2250	285 275	52	230	200~240	55 65	0.59 0.53	4 (50Hz) 3 (60Hz)
OA180AN-22-3 * 1856	1450 1650	175 210	41	230	200~240	20 30	0.36 0.39	6 (50Hz) 5 (60Hz)

* Indicate "TB" for terminal type or "WB" for lead wires