



Chipsmall Limited consists of a professional team with an average of over 10 year of expertise in the distribution of electronic components. Based in Hongkong, we have already established firm and mutual-benefit business relationships with customers from,Europe,America and south Asia,supplying obsolete and hard-to-find components to meet their specific needs.

With the principle of “Quality Parts,Customers Priority,Honest Operation,and Considerate Service”,our business mainly focus on the distribution of electronic components. Line cards we deal with include Microchip,ALPS,ROHM,Xilinx,Pulse,ON,Everlight and Freescale. Main products comprise IC,Modules,Potentiometer,IC Socket,Relay,Connector.Our parts cover such applications as commercial,industrial, and automotives areas.

We are looking forward to setting up business relationship with you and hope to provide you with the best service and solution. Let us make a better world for our industry!



Contact us

Tel: +86-755-8981 8866 Fax: +86-755-8427 6832

Email & Skype: info@chipsmall.com Web: www.chipsmall.com

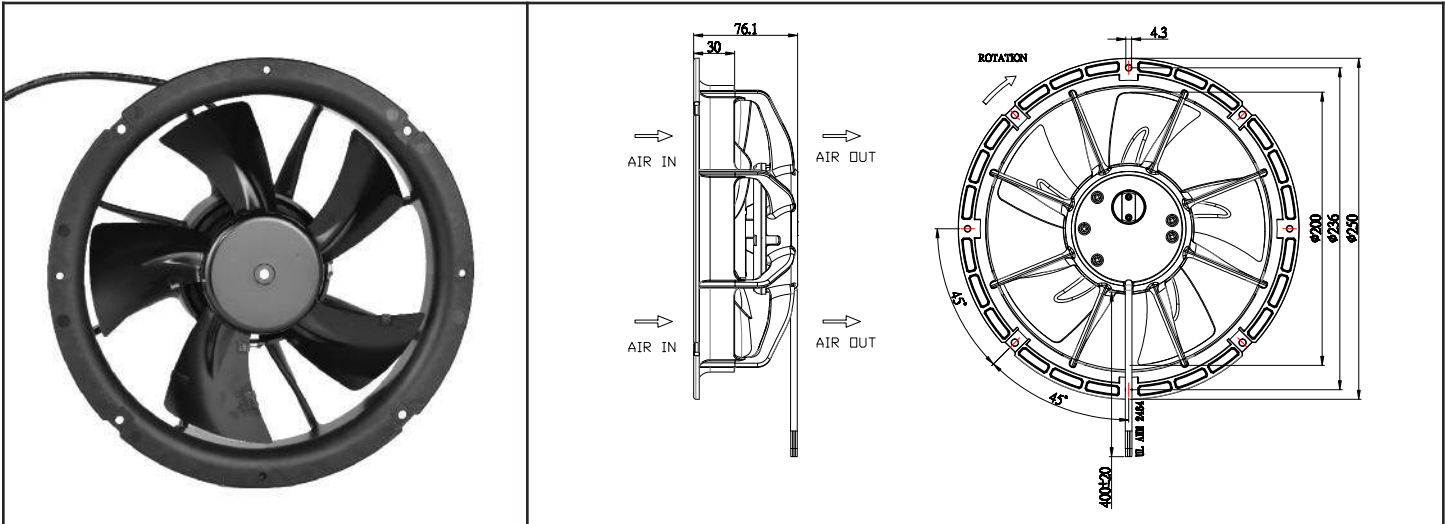
Address: A1208, Overseas Decoration Building, #122 Zhenhua RD., Futian, Shenzhen, China



OA200EC Series



EC Fan Dual Speed - 115V, 230V
250 x 76mm (9.85"x 3.0")



Frame	PBT UL94V-0 Plastic	<u>Operating Temperature</u> Ball Bearing -25C ~ +50C (non-condensing) Storage Temp -40C ~ +80C <u>Life Expectancy</u> Ball Bearing 40,000 hours (L10 at 40C) IP55 Rated Weight: ~ 2.20 lbs. m2
Impeller	Metal	
Connection	3x Lead wires Black (line), Blue (neutral), Brown (speed)	
Motor	Brushless EC motor, thermally protected	
Bearing System	Dual ball	
Insulation Resistance	>100M ohm between lead-wire and frame (500VDC)	
Dielectric Strength	1 min at 1,500 VAC, 50/60Hz	

Performance Curves

Part Number	Speed* (RPM)	Airflow (CFM)	Noise (dB)	Volts AC	Nominal Current	Watts	Max. Static Pressure ("H ₂ O)	Curves
OA200EC-11-1WB	1,400	290	44	115	0.13	8	0.28	2
	2,200	460	55		0.40	26	0.46	1
OA200EC-22-1WB	1,400	290	44	230	0.08	8	0.28	2
	2,200	460	55		0.24	26	0.46	1

* Speed (RPM) can be factory programmed

Noise, power and static pressure values will change per requirement

MOTOR WIRING DIAGRAMS

