



Chipsmall Limited consists of a professional team with an average of over 10 year of expertise in the distribution of electronic components. Based in Hongkong, we have already established firm and mutual-benefit business relationships with customers from,Europe,America and south Asia,supplying obsolete and hard-to-find components to meet their specific needs.

With the principle of “Quality Parts,Customers Priority,Honest Operation,and Considerate Service”,our business mainly focus on the distribution of electronic components. Line cards we deal with include Microchip,ALPS,ROHM,Xilinx,Pulse,ON,Everlight and Freescale. Main products comprise IC,Modules,Potentiometer,IC Socket,Relay,Connector.Our parts cover such applications as commercial,industrial, and automotives areas.

We are looking forward to setting up business relationship with you and hope to provide you with the best service and solution. Let us make a better world for our industry!



Contact us

Tel: +86-755-8981 8866 Fax: +86-755-8427 6832

Email & Skype: info@chipsmall.com Web: www.chipsmall.com

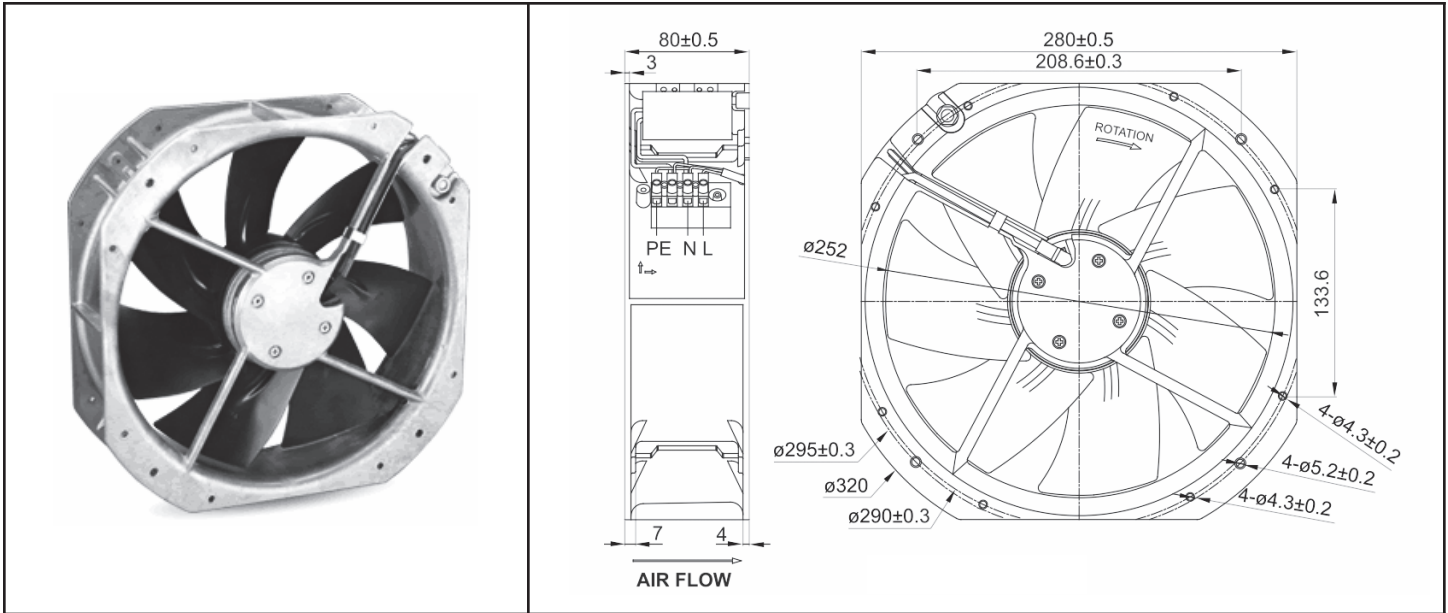
Address: A1208, Overseas Decoration Building, #122 Zhenhua RD., Futian, Shenzhen, China



OA280 Series



AC Fan - 115V, 230V
280 x 80mm (11.0" x 3.15")



Frame	Diecast Aluminum	<u>Operating Temperature</u> Ball Bearing -40C ~ +80C Storage Temp -40C ~ +80C <u>Life Expectancy</u> Ball Bearing 40,000 hours (L10 at 40C) Environmental: IP55 Rated Weight: ~ 6.2 lbs.	
Impeller	Metal		
Connection	Terminal Block, 18AWG		
Motor	Capacitor drive, thermally protected		
Bearing System	Dual ball		
Insulation	Class F		
Dielectric Strength	1 min at 1500 VAC, 50/60Hz		

Part Number	OA280AN-11-1TB18	OA280AN-22-1TB18
Nominal Voltage	115VAC	230VAC
Voltage Range	100 ~ 125VAC	200 ~ 240VAC
Rated Power	148 W	158 W
Nominal Current	1.5 A	0.82 A
Rated Speed (RPM)	2700	2700
Airflow (CFM)	1130	1130
Noise Level (dB)	70	70
Max. Static Pressure	0.78" H ₂ O	0.78" H ₂ O