



Chipsmall Limited consists of a professional team with an average of over 10 year of expertise in the distribution of electronic components. Based in Hongkong, we have already established firm and mutual-benefit business relationships with customers from,Europe,America and south Asia,supplying obsolete and hard-to-find components to meet their specific needs.

With the principle of “Quality Parts,Customers Priority,Honest Operation,and Considerate Service”,our business mainly focus on the distribution of electronic components. Line cards we deal with include Microchip,ALPS,ROHM,Xilinx,Pulse,ON,Everlight and Freescale. Main products comprise IC,Modules,Potentiometer,IC Socket,Relay,Connector.Our parts cover such applications as commercial,industrial, and automotives areas.

We are looking forward to setting up business relationship with you and hope to provide you with the best service and solution. Let us make a better world for our industry!



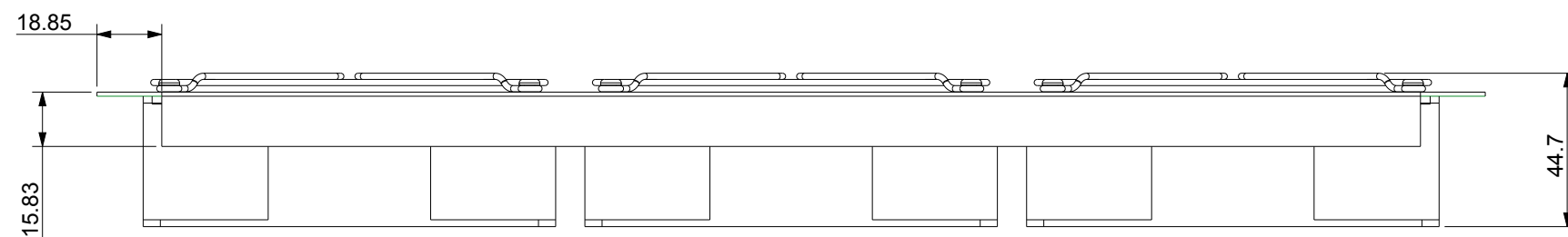
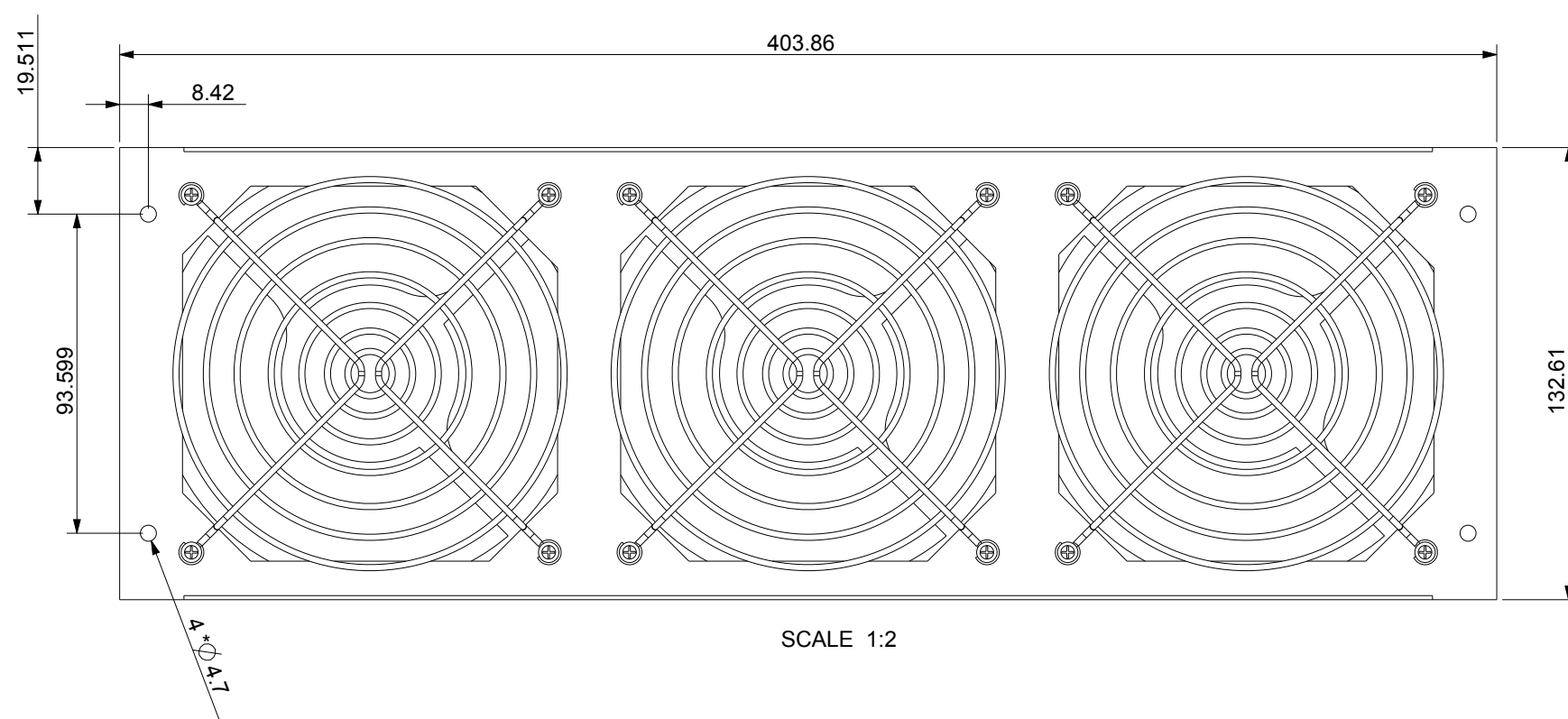
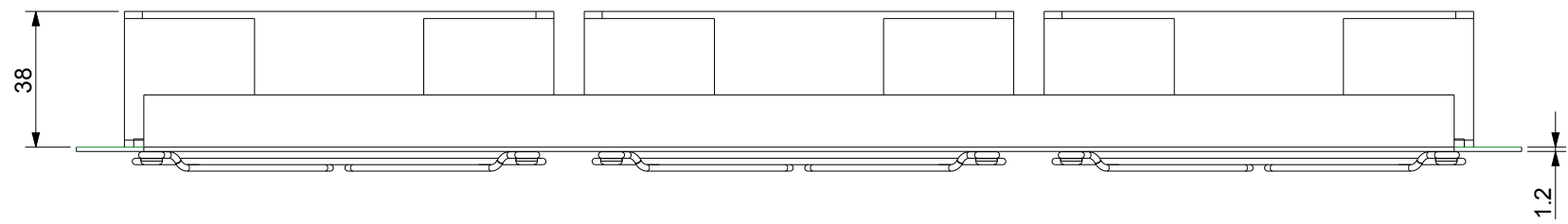
Contact us

Tel: +86-755-8981 8866 Fax: +86-755-8427 6832

Email & Skype: info@chipsmall.com Web: www.chipsmall.com

Address: A1208, Overseas Decoration Building, #122 Zhenhua RD., Futian, Shenzhen, China





Unit : mm

No. of Fans	3
Bearing System	Dual Ball Bearing
Nominal Voltage (60Hz)	115 VAC
Input Power	45 Watts
Rated Speed (RPM)	3000
Airflow (CFM)	310
Noise Level (dB)	53
Life Expectancy	60,000 hrs (25C)

DO NOT SCALE DRAWING

All Components and Processes
to be RoHS Compliant

THIRD ANGLE
PROJECTION

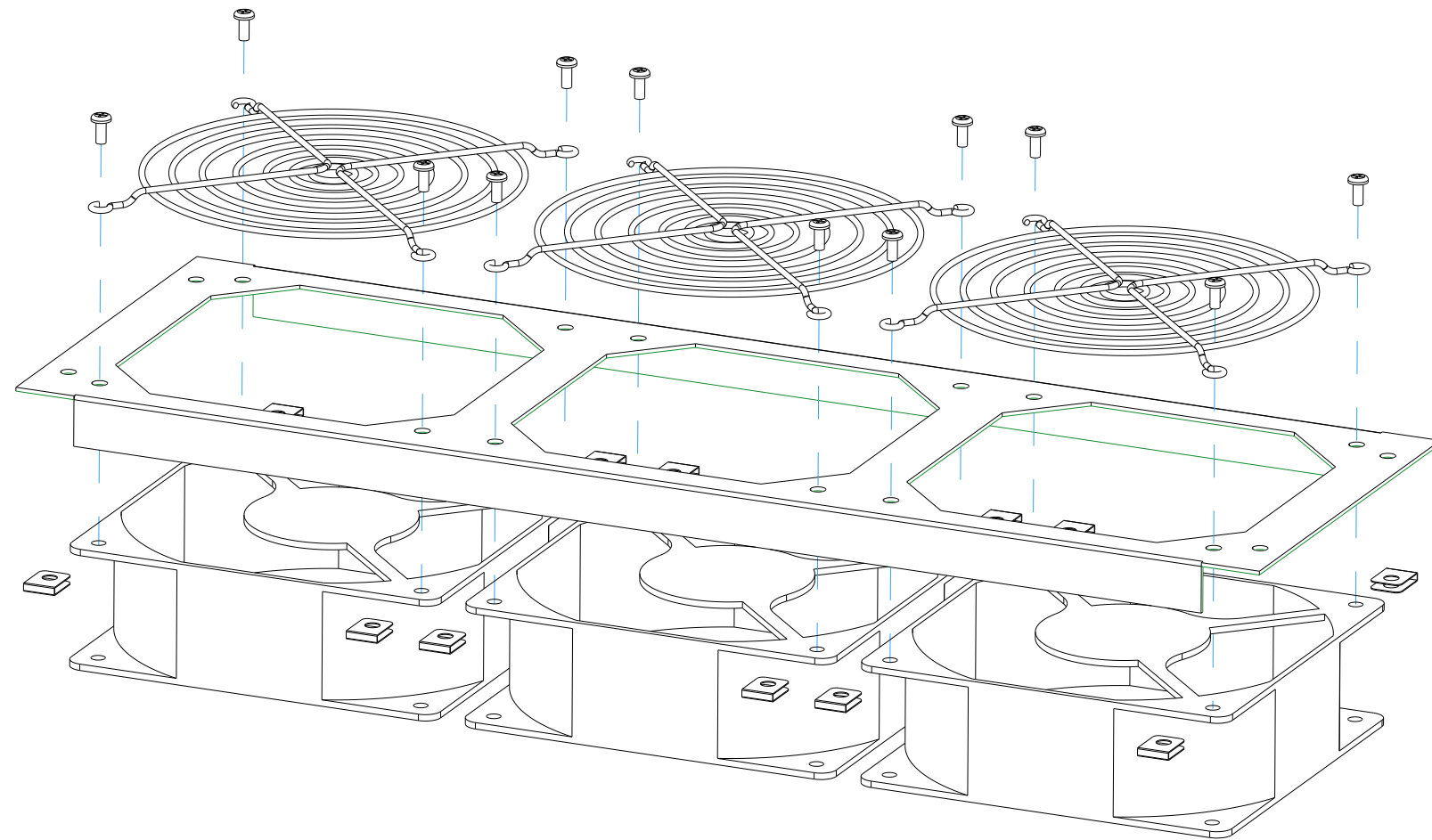


DRAFTSMAN: Y. Ducky	DATE 2-25-2016
DESIGNER:	DATE
CHECKER:	DATE
ENGINEER:	DATE
APPROVED:	DATE
RELEASED:	DATE



10557 Metric Drive
Dallas, Texas 75243
1-800-323-2439

TITLE:
**Fan Module
OA300A**



SCALE 1:2

DO NOT SCALE DRAWING			
All Components and Processes to be RoHS Compliant		THIRD ANGLE PROJECTION	
DRAFTSMAN: Y. Ducky	DATE 2-25-2016	 10557 Metric Drive Dallas, Texas 75243 1-800-323-2439	TITLE: <h2 style="text-align: center;">Fan Module OA300A</h2>
CHECKER:	DATE		
ENGINEER:	DATE		
APPROVED:	DATE		
RELEASED:	DATE		
scale	size C	OA300A	Sheet 2/2