



Chipsmall Limited consists of a professional team with an average of over 10 year of expertise in the distribution of electronic components. Based in Hongkong, we have already established firm and mutual-benefit business relationships with customers from,Europe,America and south Asia,supplying obsolete and hard-to-find components to meet their specific needs.

With the principle of “Quality Parts,Customers Priority,Honest Operation,and Considerate Service”,our business mainly focus on the distribution of electronic components. Line cards we deal with include Microchip,ALPS,ROHM,Xilinx,Pulse,ON,Everlight and Freescale. Main products comprise IC,Modules,Potentiometer,IC Socket,Relay,Connector.Our parts cover such applications as commercial,industrial, and automotives areas.

We are looking forward to setting up business relationship with you and hope to provide you with the best service and solution. Let us make a better world for our industry!



## Contact us

Tel: +86-755-8981 8866 Fax: +86-755-8427 6832

Email & Skype: info@chipsmall.com Web: www.chipsmall.com

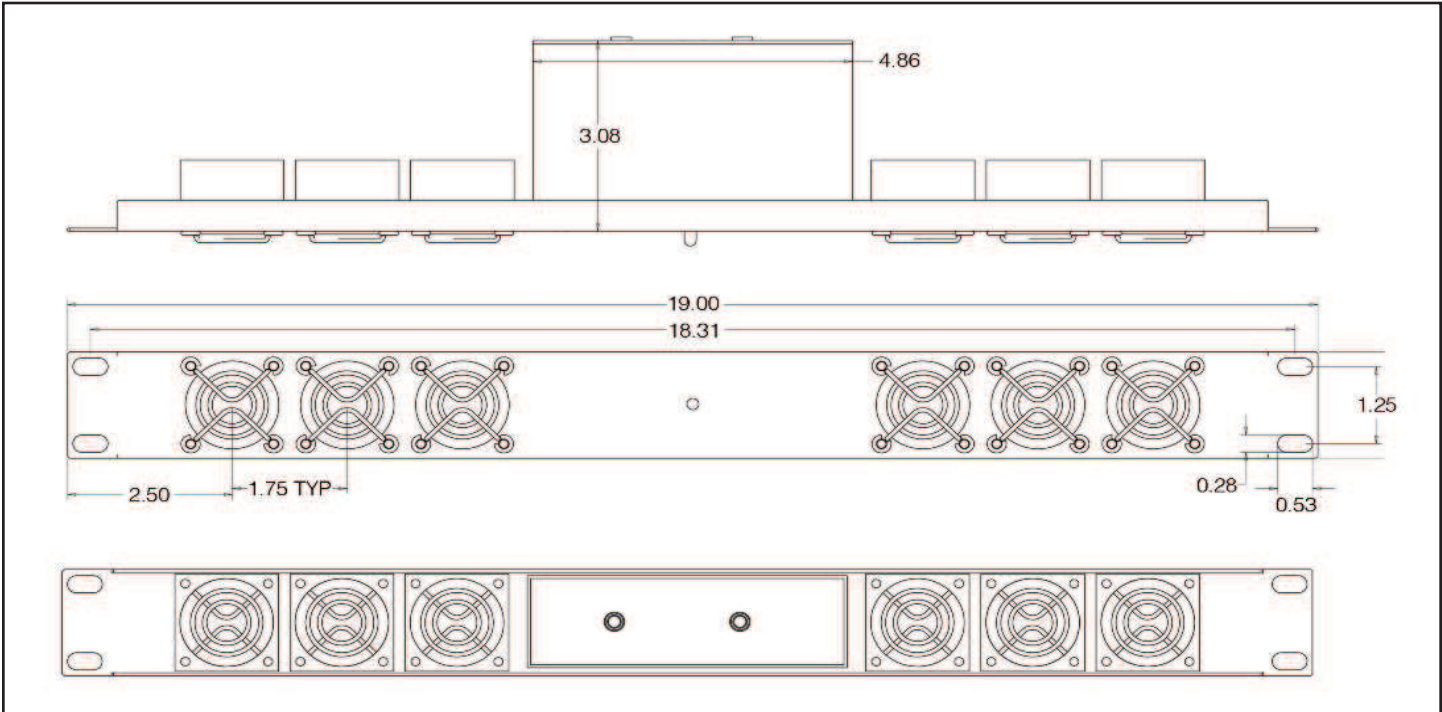
Address: A1208, Overseas Decoration Building, #122 Zhenhua RD., Futian, Shenzhen, China



# OA406 Fan Tray



# Universal Input 90 - 264VAC



Switching AC/DC Adaptor - 12V  
 Output Power: 60 Watts (Max load 5 A)  
 Operating Temperature: -10C - +50C  
 Storage Temperature: -40 ~ +85C

<p><b>Description</b></p>	<ul style="list-style-type: none"> <li>• Universal 90-264VAC Input external power supply</li> <li>• 1U high, panel mount configuration</li> <li>• Either N. American NEMA 5-15P or IEC320-C14 connection</li> <li>• High Airflow 160CFM</li> <li>• Bi-color LED alarm indicator lamp</li> <li>• Optional redundant 2nd power supply available</li> <li>• Redundant power switching is seamless and automatic</li> <li>• Redundant power input may be from customers 12VDC supply</li> <li>• Sturdy 16 Ga Powder Coated Steel Construction</li> </ul>
<p><b>Part Numbers</b></p>	<p>OA406: Power Input NEMA 5-15 plug              OA406-IEC: C14 power supply plug              OA406-DUAL: With redundant power supply              OA406-IEC-DUAL: With redundant power supply, international version              OA406-PS: Add-on power supply. Converts OA406 to DUAL              OA406-IEC-PS: Add-on power supply. International version</p>