



Chipsmall Limited consists of a professional team with an average of over 10 year of expertise in the distribution of electronic components. Based in Hongkong, we have already established firm and mutual-benefit business relationships with customers from,Europe,America and south Asia,supplying obsolete and hard-to-find components to meet their specific needs.

With the principle of "Quality Parts,Customers Priority,Honest Operation,and Considerate Service",our business mainly focus on the distribution of electronic components. Line cards we deal with include Microchip,ALPS,ROHM,Xilinx,Pulse,ON,Everlight and Freescale. Main products comprise IC,Modules,Potentiometer,IC Socket,Relay,Connector.Our parts cover such applications as commercial,industrial, and automotives areas.

We are looking forward to setting up business relationship with you and hope to provide you with the best service and solution. Let us make a better world for our industry!



## Contact us

Tel: +86-755-8981 8866 Fax: +86-755-8427 6832

Email & Skype: info@chipsmall.com Web: www.chipsmall.com

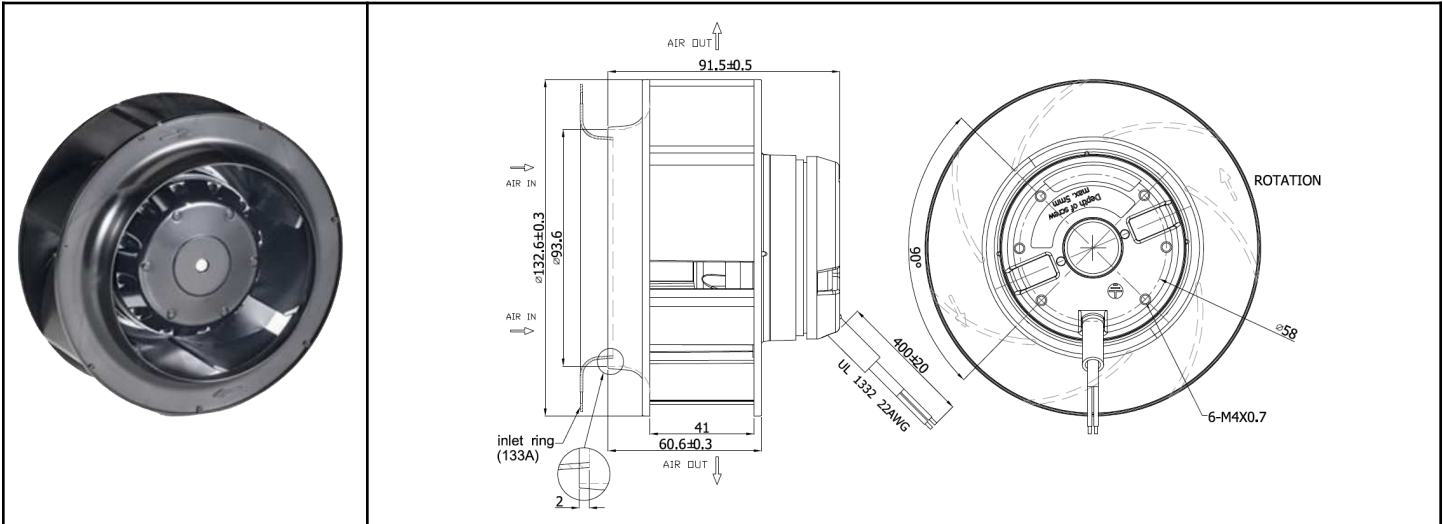
Address: A1208, Overseas Decoration Building, #122 Zhenhua RD., Futian, Shenzhen, China



# OAB13391 Series



AC Blower, ball bearing  
133x91 (5.24"x 3.62")



<b>Backwards Curved Impeller</b>		<u>Insulation Housing:</u> AC1500V / 1 minute  <u>Insulation Resistance:</u> > 100 M ohms DC500V  <u>Operating Temperature</u> -40 C ~ +60C  <u>Life Expectancy</u> 40,000 hours (L10, 40C) Ball bearing  IP55 Rated  Weight 2.65 lbs.  m2	<p>Blue = 60Hz Red = 50Hz</p>
<b>Frame &amp; Impeller</b>	Frame - Diecast aluminum Impeller - UL94V-O Thermoplastic		
<b>Connection</b>	Lead Wires		
<b>Motor</b>	AC, shaded pole, thermally protected		
<b>Bearing System</b>	Dual Ball		

Part Number	OAB13391-11-1WB	OAB13391-22-1WB
Nominal Voltage	115 VAC (50/60 Hz)	230 VAC (50/60 Hz)
Nominal Current (Amps)	0.50 / 0.43	0.24 / 0.21
Locked Current (Amps)	0.83 / 0.72	0.39 / 0.34
Rated Power	42 / 41 W	40 / 39 W
Rated Speed (RPM)	2780 / 3200	2780 / 3200
Airflow (CFM)	165 / 188	165 / 188
Noise Level (dB)	56 / 60	56 / 60
Max. Static Pressure	.65 / .88" H <sub>2</sub> O	.65 / .88" H <sub>2</sub> O