



Chipsmall Limited consists of a professional team with an average of over 10 year of expertise in the distribution of electronic components. Based in Hongkong, we have already established firm and mutual-benefit business relationships with customers from,Europe,America and south Asia,supplying obsolete and hard-to-find components to meet their specific needs.

With the principle of "Quality Parts,Customers Priority,Honest Operation,and Considerate Service",our business mainly focus on the distribution of electronic components. Line cards we deal with include Microchip,ALPS,ROHM,Xilinx,Pulse,ON,Everlight and Freescale. Main products comprise IC,Modules,Potentiometer,IC Socket,Relay,Connector.Our parts cover such applications as commercial,industrial, and automotives areas.

We are looking forward to setting up business relationship with you and hope to provide you with the best service and solution. Let us make a better world for our industry!



Contact us

Tel: +86-755-8981 8866 Fax: +86-755-8427 6832

Email & Skype: info@chipsmall.com Web: www.chipsmall.com

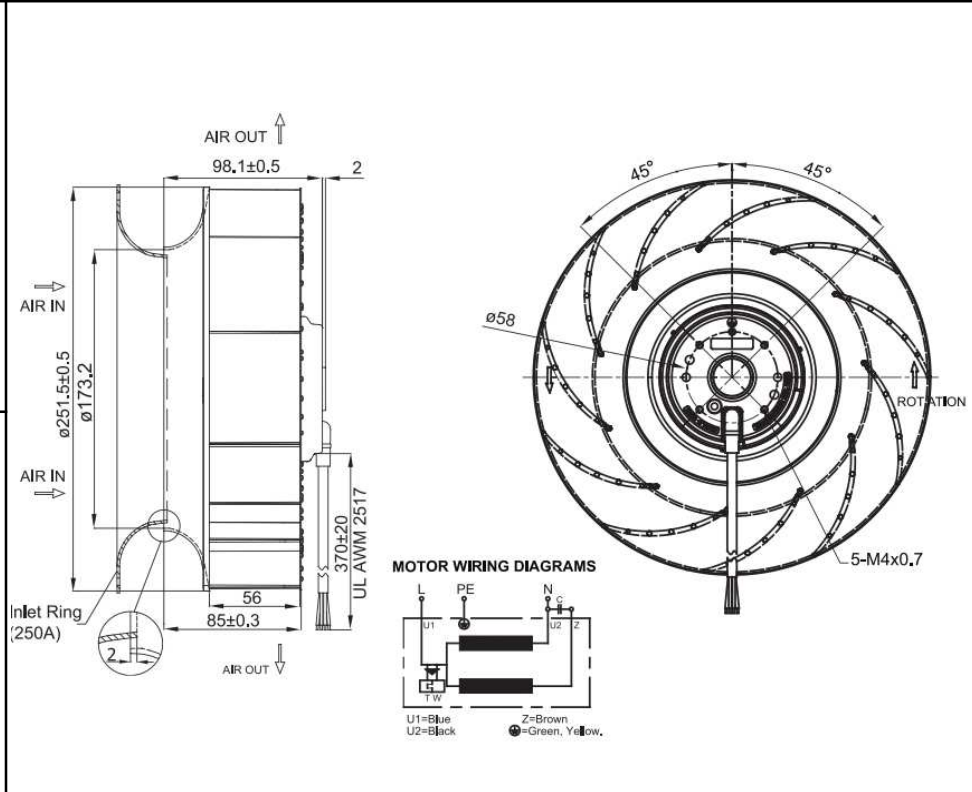
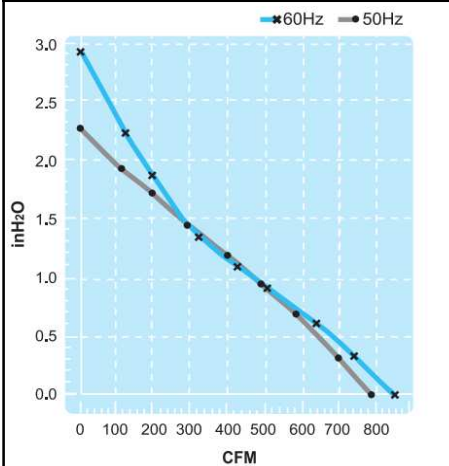
Address: A1208, Overseas Decoration Building, #122 Zhenhua RD., Futian, Shenzhen, China



OAB250 Series



Motorized Impeller
251.5 x 98.1mm (9.9" x 3.87")



Accessories
Duct ring DR250A

Part Number	OAB250-11-1	OAB250-22-1	Frame	Diecast Aluminum
Nominal Voltage	115VAC	230VAC	Impeller	UL94V-O Thermoplastic
Voltage Range	100 ~ 125VAC	200 ~ 240VAC	Connection	4x Lead wires
Nominal Current	2.10A	1.00A	Motor	AC, Capacitor Run, thermally protected. CAPACITOR INCLUDED IP55 rated
Locked Current	3.00A	1.52A	Bearing System	Dual ball bearing
Rated Power	240W	240W	Insulation Resistance	>100M ohm between leadwire and frame (500VDC)
Rated Speed (RPM)	2700	2700	Dielectric Strength	1500VAC for 1 minute
Airflow (CFM)	850	850	Temperature Range	-40C ~ +60C
Noise Level (dB)	76	76	Life (L10)	40,000 hrs (L10, 40C)
Max. Static Pressure	2.9" H ₂ O	2.9" H ₂ O		
Bearing System	Sealed Dual Ball m2	Sealed Dual Ball		