



Chipsmall Limited consists of a professional team with an average of over 10 year of expertise in the distribution of electronic components. Based in Hongkong, we have already established firm and mutual-benefit business relationships with customers from,Europe,America and south Asia,supplying obsolete and hard-to-find components to meet their specific needs.

With the principle of “Quality Parts,Customers Priority,Honest Operation,and Considerate Service”,our business mainly focus on the distribution of electronic components. Line cards we deal with include Microchip,ALPS,ROHM,Xilinx,Pulse,ON,Everlight and Freescale. Main products comprise IC,Modules,Potentiometer,IC Socket,Relay,Connector.Our parts cover such applications as commercial,industrial, and automotives areas.

We are looking forward to setting up business relationship with you and hope to provide you with the best service and solution. Let us make a better world for our industry!



## Contact us

Tel: +86-755-8981 8866 Fax: +86-755-8427 6832

Email & Skype: info@chipsmall.com Web: www.chipsmall.com


Address: A1208, Overseas Decoration Building, #122 Zhenhua RD., Futian, Shenzhen, China

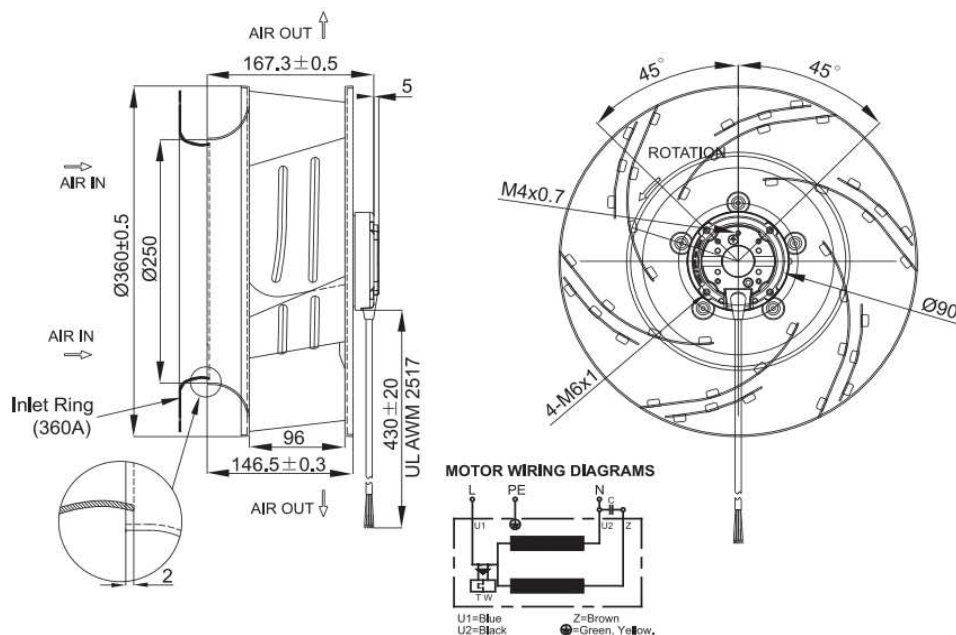


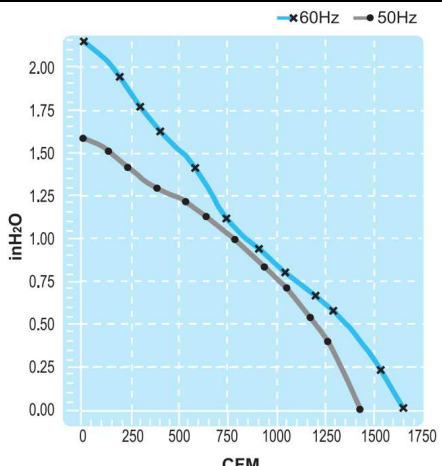
# OAB360 Series



Motorized Impeller  
360 x 167mm (14.2" x 6.57")







Accessories  
Duct ring DR360A

Part Number	OAB360-11-1	OAB360-22-1	
Nominal Voltage	115VAC	230VAC	Frame: Diecast Aluminum
Voltage Range	100 ~ 125VAC	200 ~ 240VAC	Impeller: Metal
Nominal Current	2.30A	1.20A	Connection: 4x Lead wires
Locked Current	4.00A	2.00A	Motor: AC, Capacitor Run, thermally protected. CAPACITOR INCLUDED IP55 rated
Rated Power	270W	265W	Bearing System: Dual ball bearing
Rated Speed (RPM)	1600	1600	Insulation Resistance: >100M ohm between leadwire and frame (500VDC) Class F
Airflow (CFM)	1645	1645	Dielectric Strength: 1500VAC for 1 minute
Noise Level (dB)	70	70	Temperature Range: -40C ~ +80C
Max. Static Pressure	2.2" H <sub>2</sub> O	2.2" H <sub>2</sub> O	Life (L10): 40,000 hrs (L10, 40C)
Bearing System	Sealed Dual Ball <small>m2</small>	Sealed Dual Ball	