



Chipsmall Limited consists of a professional team with an average of over 10 year of expertise in the distribution of electronic components. Based in Hongkong, we have already established firm and mutual-benefit business relationships with customers from,Europe,America and south Asia,supplying obsolete and hard-to-find components to meet their specific needs.

With the principle of "Quality Parts,Customers Priority,Honest Operation,and Considerate Service",our business mainly focus on the distribution of electronic components. Line cards we deal with include Microchip,ALPS,ROHM,Xilinx,Pulse,ON,Everlight and Freescale. Main products comprise IC,Modules,Potentiometer,IC Socket,Relay,Connector.Our parts cover such applications as commercial,industrial, and automotives areas.

We are looking forward to setting up business relationship with you and hope to provide you with the best service and solution. Let us make a better world for our industry!



## Contact us

Tel: +86-755-8981 8866 Fax: +86-755-8427 6832

Email & Skype: info@chipsmall.com Web: www.chipsmall.com

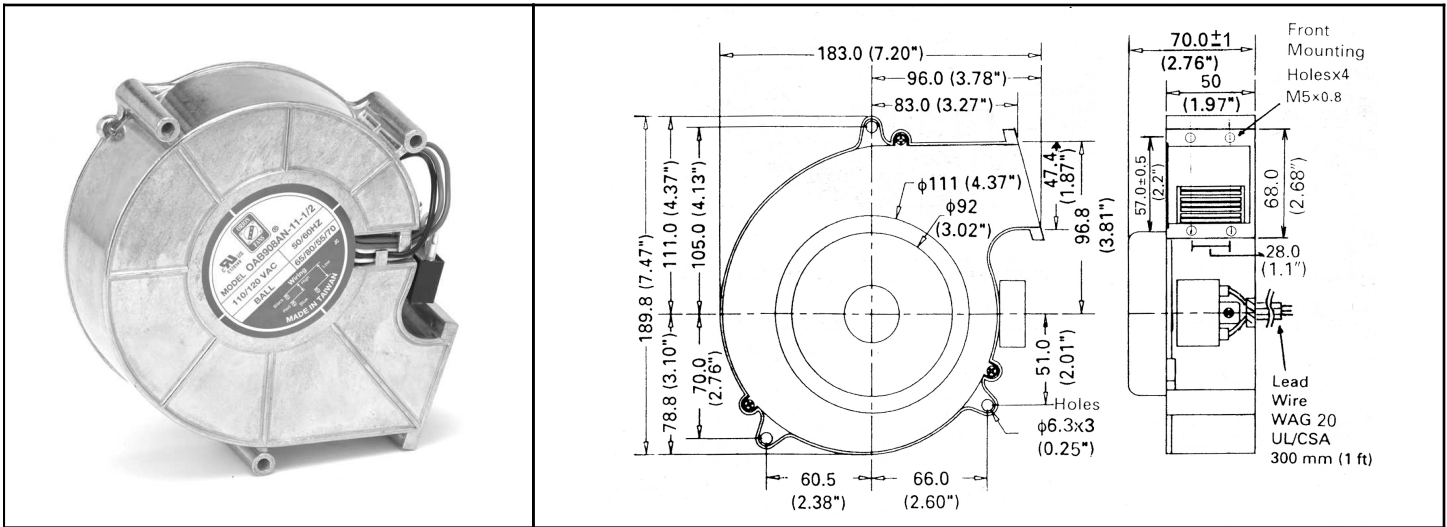
Address: A1208, Overseas Decoration Building, #122 Zhenhua RD., Futian, Shenzhen, China



# OAB908 Side Inlet Blower



AC Blower, ball bearing, Dual Speed  
183x190x70mm (7.2"x 7.5"x 2.8")



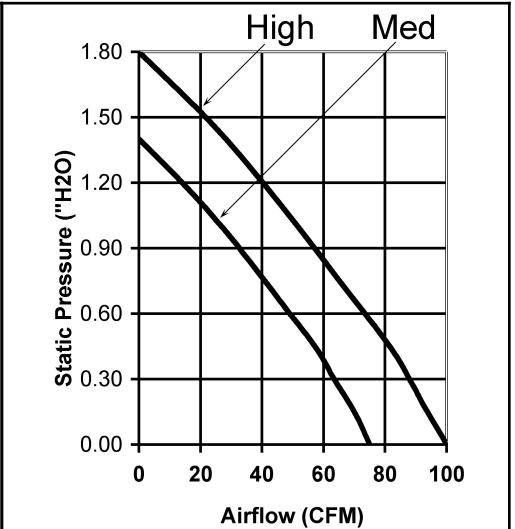
<b>Dual Speed Blower (High, Medium)</b>	
<b>Frame &amp; Impeller</b>	Aluminum die-cast shell with UL94V-0 impeller
<b>Connection</b>	Lead Wires
<b>Motor</b>	Single phase, capacitor induction, 2/4 pole, inner rotor, thermal protection - Frame: Aluminum die-cast, natural color treatment case, steel plate housing cover
<b>Bearing System</b>	Dual ball - sealed

**Operating Temp:** Ambient non-condensing allowable thermal range -20C~ +75C

**-L10 Life:** MTBF life test 80,000 hours at +45C, 40,000 hours at +60C

**-Dielectric Strength:** Over 1 min. at 1,500 VAC, 0.5mA, 50/60 Hz

**-Insulation Resistance:** Over 100 Mega Ohm at DC 500V

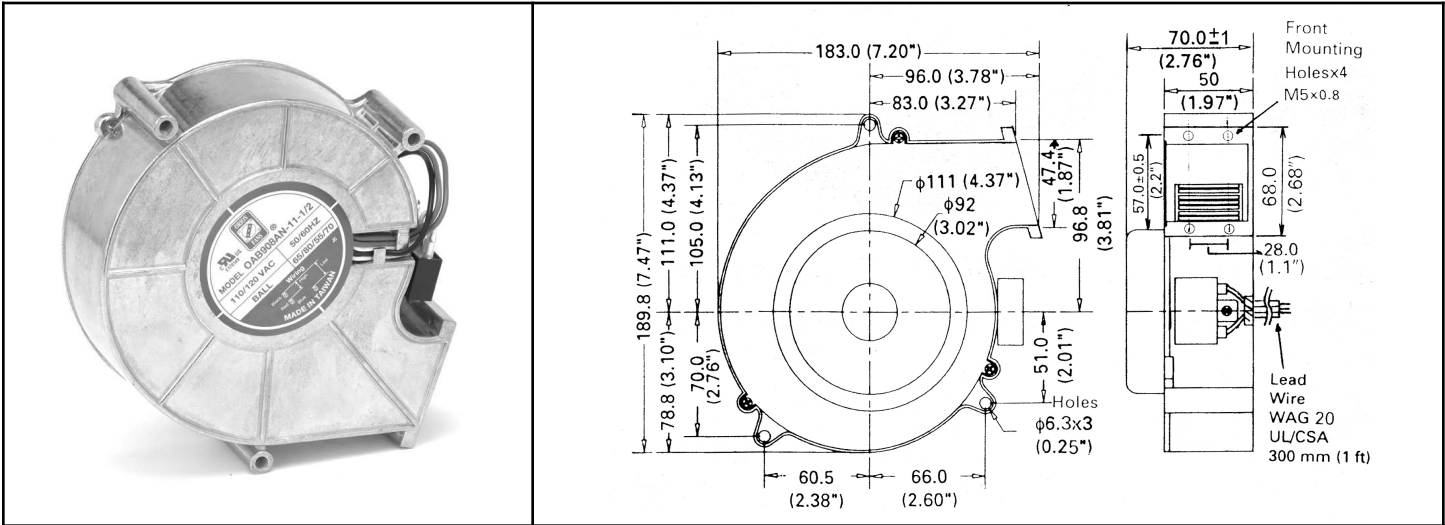


<b>Model Number</b>	OAB908AN-11-1/2
<b>Part Number</b>	264311060
<b>Nominal Voltage</b>	115 VAC
<b>Voltage Range</b>	100 ~ 125 VAC
<b>Rated Power</b>	80 W / 65 W
<b>Rated Speed (RPM)</b>	3100 / 2400
<b>Airflow (CFM)</b>	100 / 75
<b>Noise Level (dB)</b>	68 / 55
<b>Max. Static Pressure</b>	1.8 "H2O / 1.4 "H2O

# OAB908 Ultra Low Speed



AC Blower, ball bearing  
183x190x70mm (7.2"x 7.5"x 2.8")



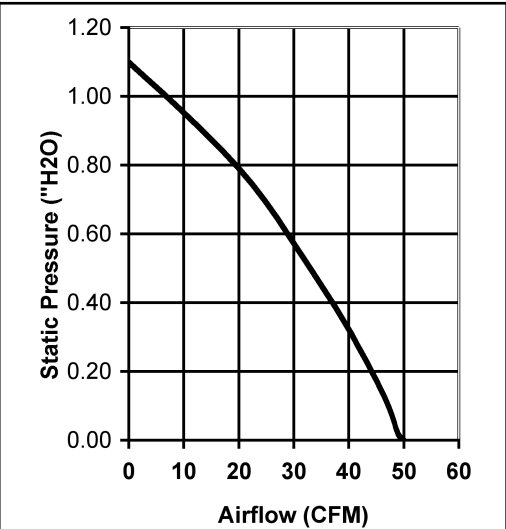
<b>Side Inlet Blower</b>	
<b>Frame &amp; Impeller</b>	Aluminum die-cast shell with UL94V-0 impeller
<b>Connection</b>	Lead Wires
<b>Motor</b>	Single phase, capacitor induction, 2/4 pole, inner rotor, thermal protection -Frame: Aluminum die-cast, natural color treatment case, steel plate housing cover
<b>Bearing System</b>	Dual ball - sealed

**Operating Temp:** Ambient non-condensing allowable thermal range -20C~+75C

**-L10 Life:** MTBF life test 80,000 hours at +45C, 40,000 hours at +60C

**-Dielectric Strength:** Over 1 min. at 1,500 VAC, 0.5mA, 50/60 Hz

**-Insulation Resistance:** Over 100 Mega Ohm at DC 500V

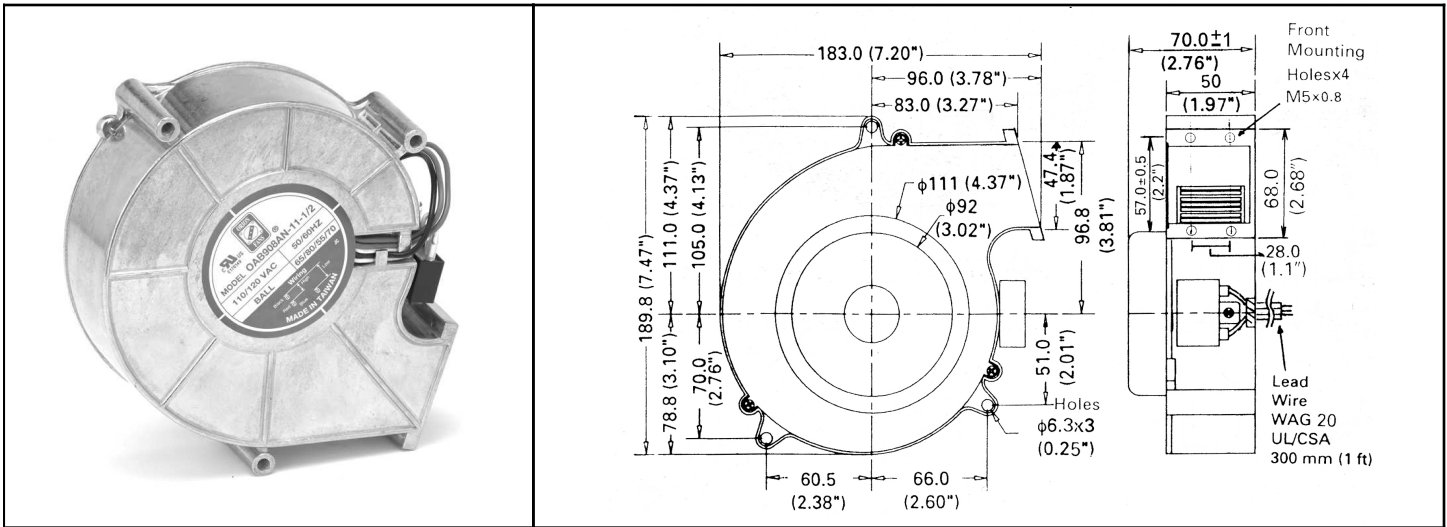


Model Number	OAB908AN-11-3	OAB908AN-22-3
Part Number	264331000	264631000
Nominal Voltage	115 VAC	230 VAC
Voltage Range	60 ~ 130	100 ~ 260
Rated Power	60 W	60 W
Rated Speed (RPM)	1000	1000
Airflow (CFM)	50	50
Noise Level (dB)	40	40
Max. Static Pressure	1.1 "H2O	1.1 "H2O

# OAB908 Side Inlet Blower



AC Blower, ball bearing, Dual Speed  
183x190x70mm (7.2"x 7.5"x 2.8")



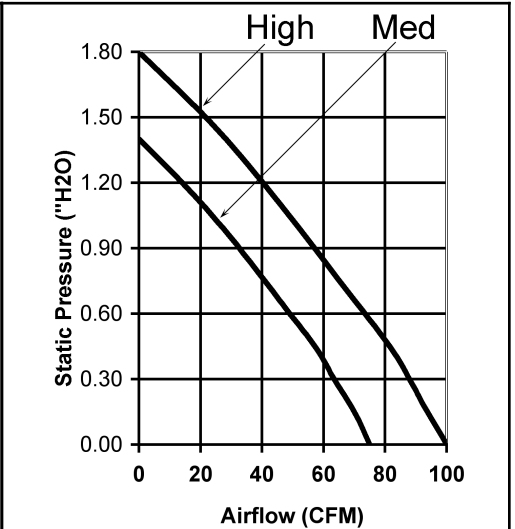
<b>Dual Speed Blower (High, Medium)</b>	
<b>Frame &amp; Impeller</b>	Aluminum die-cast shell with UL94V-0 impeller
<b>Connection</b>	Lead Wires
<b>Motor</b>	Single phase, capacitor induction, 2/4 pole, inner rotor, thermal protection - Frame: Aluminum die-cast, natural color treatment case, steel plate housing cover
<b>Bearing System</b>	Dual ball - sealed

**Operating Temp:** Ambient non-condensing allowable thermal range -20C~ +75C

**-L10 Life:** MTBF life test  
80,000 hours at +45C,  
40,000 hours at +60C

**-Dielectric Strength:** Over 1 min. at 1,500 VAC, 0.5mA, 50/60 Hz

**-Insulation Resistance:** Over 100 Mega Ohm at DC 500V

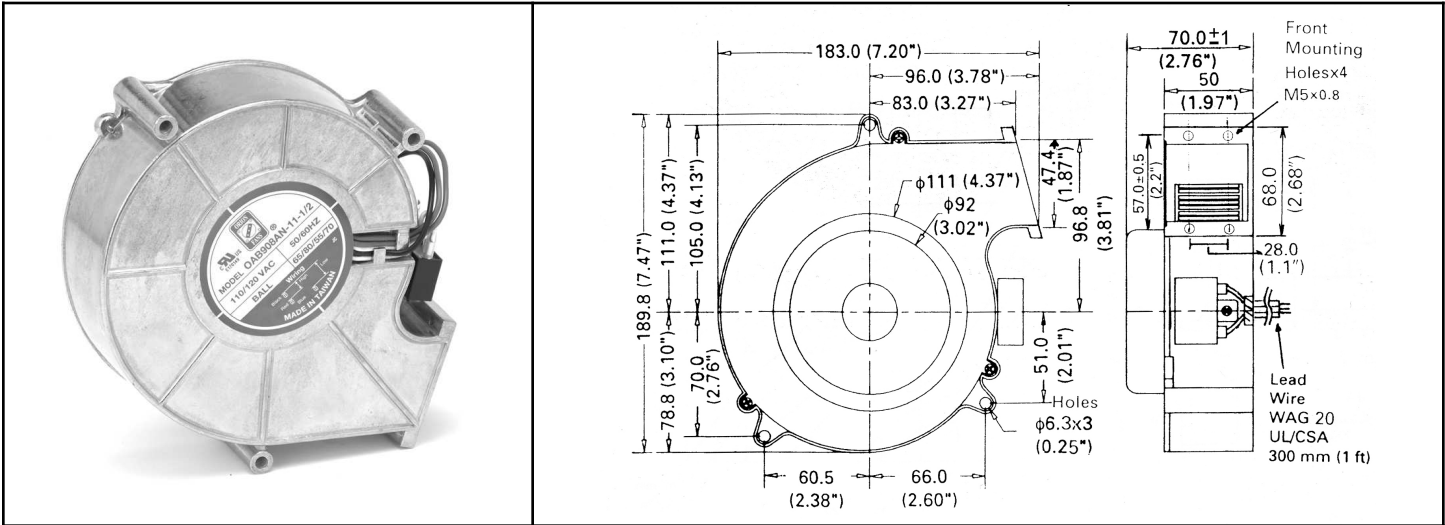


<b>Model Number</b>	OAB908AN-22-1/2
<b>Part Number</b>	264611060
<b>Nominal Voltage</b>	230 VAC
<b>Voltage Range</b>	200 ~ 240 VAC
<b>Rated Power</b>	80 W / 65 W
<b>Rated Speed (RPM)</b>	3100 / 2400
<b>Airflow (CFM)</b>	100 / 75
<b>Noise Level (dB)</b>	68 / 55
<b>Max. Static Pressure</b>	1.8 "H2O / 1.4 "H2O

# OAB908 Ultra Low Speed



AC Blower, ball bearing  
183x190x70mm (7.2"x 7.5"x 2.8")



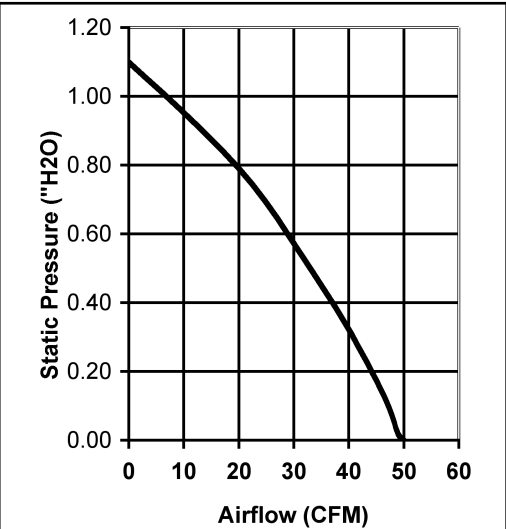
<b>Side Inlet Blower</b>	
<b>Frame &amp; Impeller</b>	Aluminum die-cast shell with UL94V-0 impeller
<b>Connection</b>	Lead Wires
<b>Motor</b>	Single phase, capacitor induction, 2/4 pole, inner rotor, thermal protection -Frame: Aluminum die-cast, natural color treatment case, steel plate housing cover
<b>Bearing System</b>	Dual ball - sealed

**Operating Temp:** Ambient non-condensing allowable thermal range -20C~+75C

**-L10 Life:** MTBF life test 80,000 hours at +45C, 40,000 hours at +60C

**-Dielectric Strength:** Over 1 min. at 1,500 VAC, 0.5mA, 50/60 Hz

**-Insulation Resistance:** Over 100 Mega Ohm at DC 500V



Model Number	OAB908AN-11-3	OAB908AN-22-3
Part Number	264331000	264631000
Nominal Voltage	115 VAC	230 VAC
Voltage Range	60 ~ 130	100 ~ 260
Rated Power	60 W	60 W
Rated Speed (RPM)	1000	1000
Airflow (CFM)	50	50
Noise Level (dB)	40	40
Max. Static Pressure	1.1 "H2O	1.1 "H2O