



Chipsmall Limited consists of a professional team with an average of over 10 year of expertise in the distribution of electronic components. Based in Hongkong, we have already established firm and mutual-benefit business relationships with customers from,Europe,America and south Asia,supplying obsolete and hard-to-find components to meet their specific needs.

With the principle of “Quality Parts,Customers Priority,Honest Operation,and Considerate Service”,our business mainly focus on the distribution of electronic components. Line cards we deal with include Microchip,ALPS,ROHM,Xilinx,Pulse,ON,Everlight and Freescale. Main products comprise IC,Modules,Potentiometer,IC Socket,Relay,Connector.Our parts cover such applications as commercial,industrial, and automotives areas.

We are looking forward to setting up business relationship with you and hope to provide you with the best service and solution. Let us make a better world for our industry!



## Contact us

Tel: +86-755-8981 8866 Fax: +86-755-8427 6832

Email & Skype: info@chipsmall.com Web: www.chipsmall.com

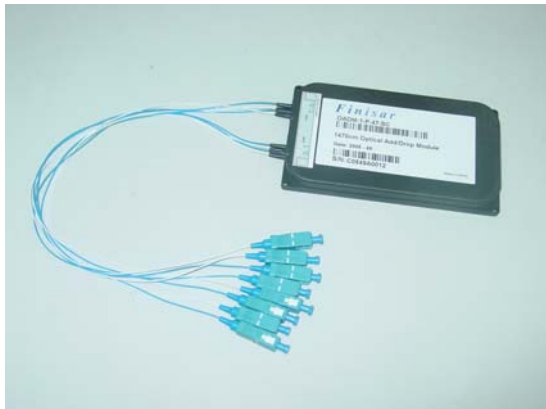
Address: A1208, Overseas Decoration Building, #122 Zhenhua RD., Futian, Shenzhen, China



## Features:

- Low Optical Insertion Loss
- Cost-effective CWDM technology
- Adds/drops one Wavelength
- Dual SC or LC connectors for simple GBIC interfacing
- Reliable passive WDM optical technology
- Scales easily for ring networks
- Low-profile modular design
- Compliance with RoHS

## CWDM OADM-1 Optibox™ Module



The Finisar OADM-1 Optibox™ Module is a passive optical add/drop multiplexer designed for metro access applications that represents the state of the art in fiber optics design, which is assembled by Finisar greenwave devices. The OADM-1 Optibox™ Module adds/drops two CWDM channels of the same wavelength from network traffic and passes the other channels. Finisar's unique CWDM design maps the two added/dropped channels into separate two-fiber paths, going in opposite directions into the network (East/West).

Added/dropped channels are interfaced to any of Finisar's CWDM transceivers on the equipment side. A grid of eight CWDM wavelengths is available from Finisar.

The Finisar OADM-1 delivers dramatic cost savings to network equipment manufacturers, enabling them to develop metro access systems that are lower in cost, easier to provision and simpler to operate.

## OADM-1 Optibox Module

### Specifications

#### Mechanical

##### Dimensions:

- 5.5" x 3.2" x 0.5",  
139mm x 81mm x 13mm

##### Connectors:

- Available with SC or LC connectors

#### Optical

##### Center wavelengths: (8 versions):

- 1471 nm
- 1491 nm
- 1511 nm
- 1531 nm
- 1551 nm
- 1571 nm
- 1591 nm
- 1611 nm

##### Directivity:

>= 55 dB

##### Return Loss:

>= 45 dB

##### Passband Ripple:

<= 0.5dB

##### PDL:

<= 0.15dB

##### PMD:

<= 0.2ps

##### Environmental:

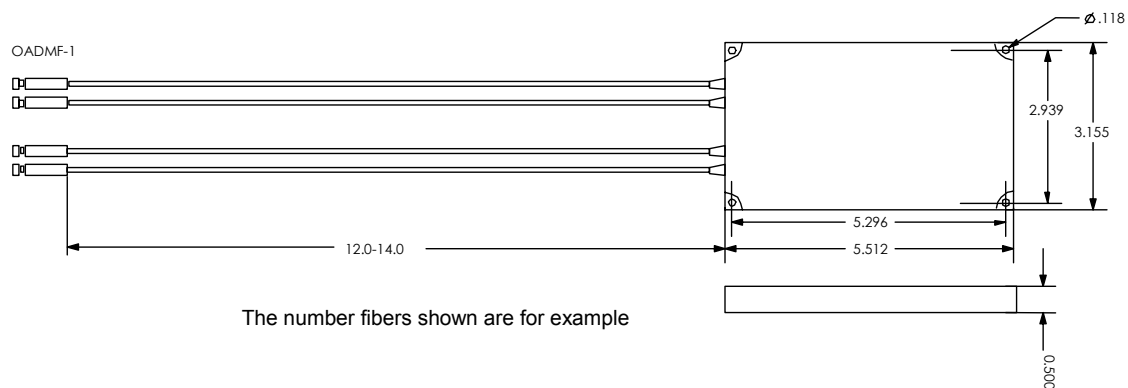
- Operating 0 to 70°C
- Relative humidity:  
10 to 85%,  
non-condensing
- Storage - 40 to 85°C

## OADM-1 Parameter Specifications

Passband	Max Insertion Loss (dB)			Isolation (dB)		
	Add	Drop	Pass	Add	Drop	Pass
+/- 6.5nm	1.30	1.30	1.40	>=30	>=50	>=28

**Note:** Connector loss is included.

## Dimensions (Unit: inch)



## Ordering Information

### Part Number Description

OADM-1-47-xx Single Wavelength (1471 nm) Optical Add/Drop  
 OADM-1-49-xx Single Wavelength (1491 nm) Optical Add/Drop  
 OADM-1-51-xx Single Wavelength (1511 nm) Optical Add/Drop  
 OADM-1-53-xx Single Wavelength (1531 nm) Optical Add/Drop  
 OADM-1-55-xx Single Wavelength (1551 nm) Optical Add/Drop  
 OADM-1-57-xx Single Wavelength (1571 nm) Optical Add/Drop  
 OADM-1-59-xx Single Wavelength (1591 nm) Optical Add/Drop  
 OADM-1-61-xx Single Wavelength (1611 nm) Optical Add/Drop

XX = LC - LC connectors  
 SC - SC connectors