



Chipsmall Limited consists of a professional team with an average of over 10 year of expertise in the distribution of electronic components. Based in Hongkong, we have already established firm and mutual-benefit business relationships with customers from,Europe,America and south Asia,supplying obsolete and hard-to-find components to meet their specific needs.

With the principle of “Quality Parts,Customers Priority,Honest Operation,and Considerate Service”,our business mainly focus on the distribution of electronic components. Line cards we deal with include Microchip,ALPS,ROHM,Xilinx,Pulse,ON,Everlight and Freescale. Main products comprise IC,Modules,Potentiometer,IC Socket,Relay,Connector.Our parts cover such applications as commercial,industrial, and automotives areas.

We are looking forward to setting up business relationship with you and hope to provide you with the best service and solution. Let us make a better world for our industry!



Contact us

Tel: +86-755-8981 8866 Fax: +86-755-8427 6832

Email & Skype: info@chipsmall.com Web: www.chipsmall.com

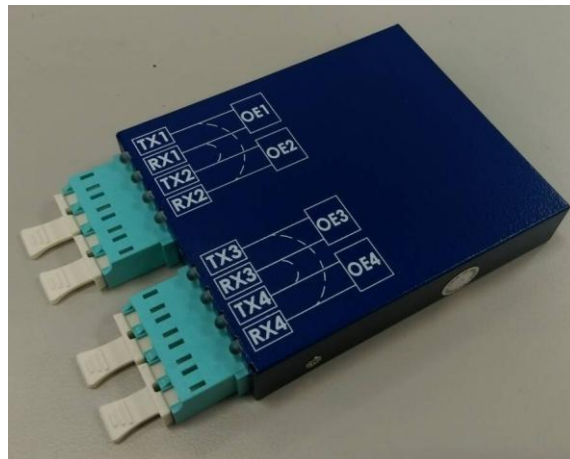
Address: A1208, Overseas Decoration Building, #122 Zhenhua RD., Futian, Shenzhen, China



Specification

10G Ethernet Optical Bypass Module

Quad Ports 10G Base-SR



O B M - B 1 C H 4 - P 0 1

Features

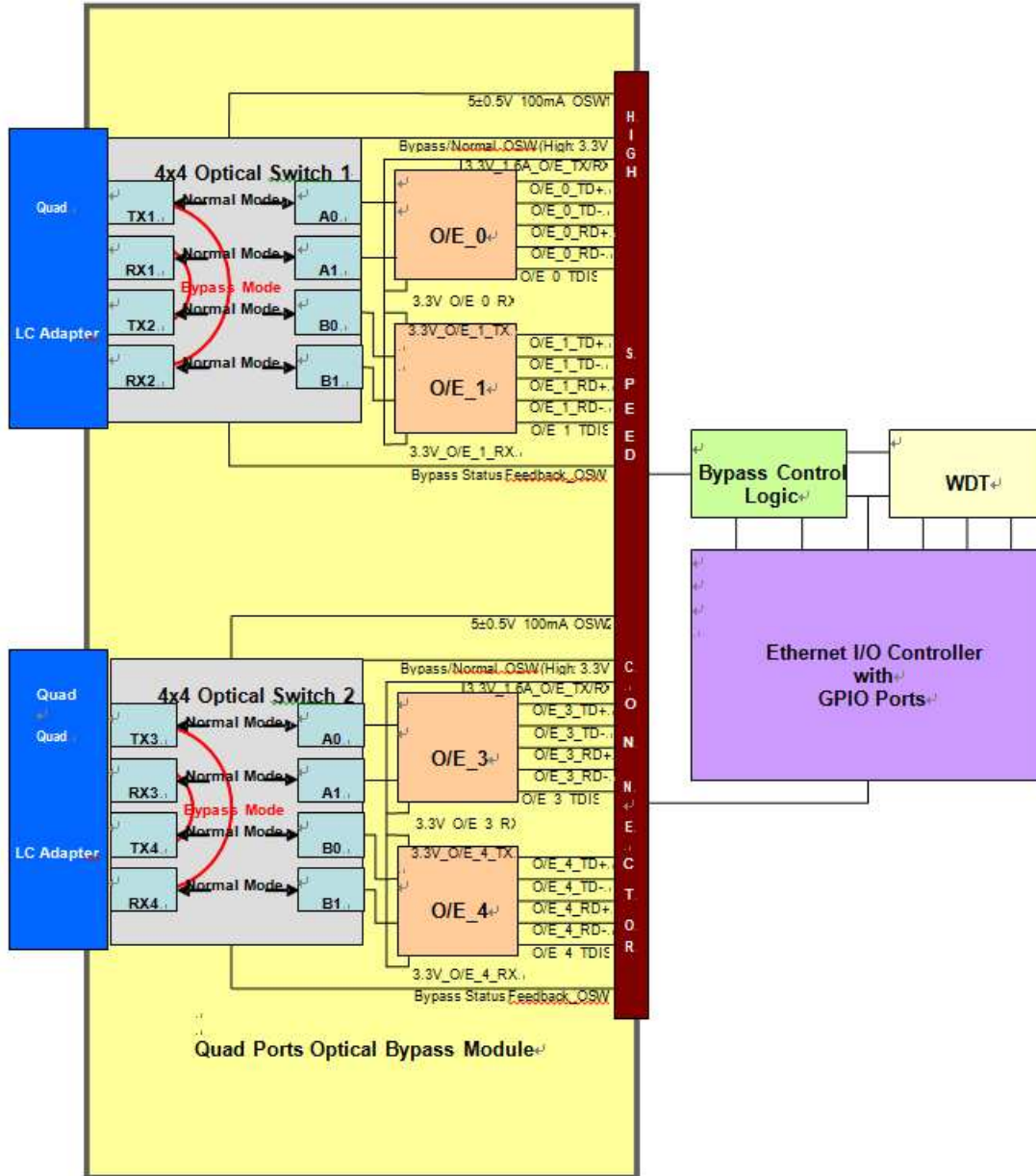
- **Reliable Passive Fiber Bypass (Latching)**
- **Low Return Loss**
- **Available in 50/125µm Multimode Fiber**
- **PCB Mountable Type**
- **Fast Ethernet Standard Compliant**
- **Digital Diagnostic SFF-8472 Rev.10.2 Compliant**
- **SONET/SDH Standard Compliant**
- **Two Quad LC Adapter**
- **Class 1 Laser Product Complies with EN 60825-1**
- **10G-BASE-SR are available**
- **Compliant with CE & FCC Standard**
- **Compact Format and ROHS Compliant**

Product Overview

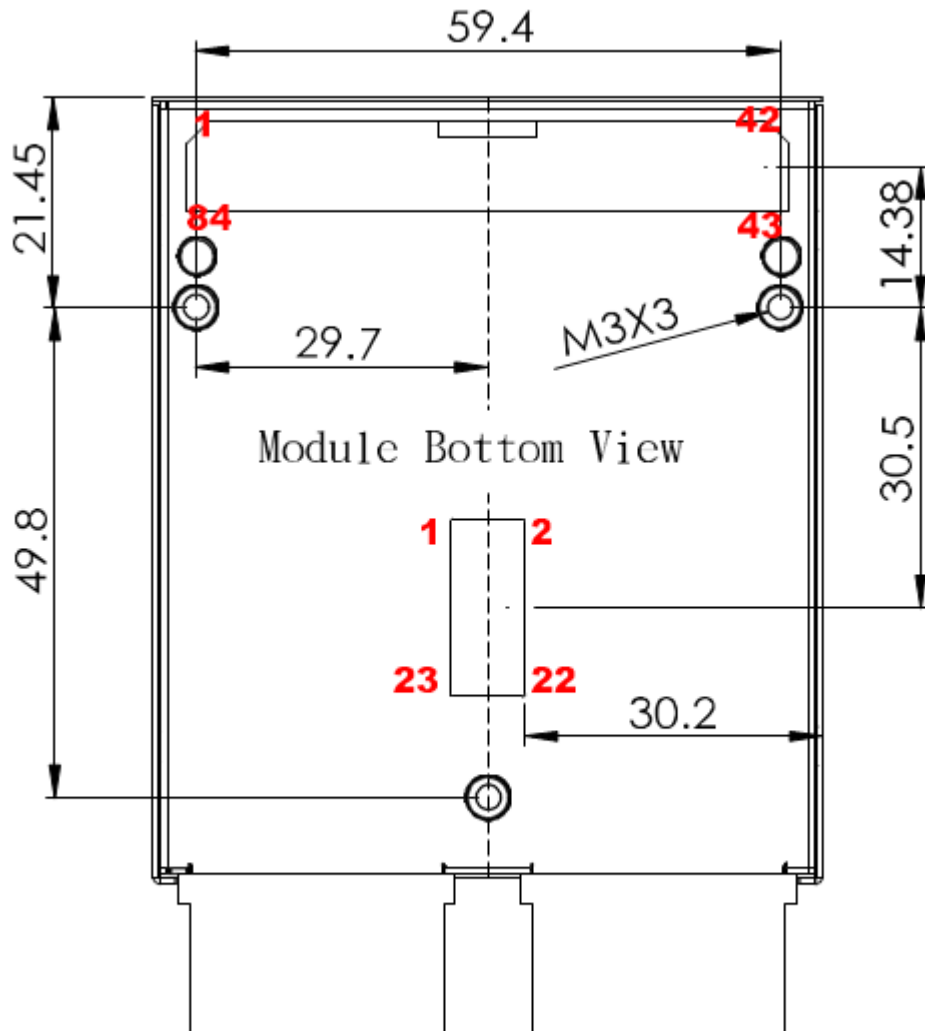
FormericaOE Quad Port 10 Gbit/s Optical Bypass Module is a compact box that contains four 10 G Base-SR 850nm (300M) ports and can be integrated with I/O ports controllers to be a Network Interface Card (NIC). The FormericaOE Quad Port 10 Gbit/s Optical Bypass Module is targeted to inline network system that maintains network connectivity when power failure or system fails.

FormericaOE Quad Port 10 Gbit/s Optical Bypass Module supports Normal and Bypass modes, and can be controlled to perform the Block mode. In Normal mode, the ports are independent interfaces. In Bypass mode, all packets received from one port are transmitted to the adjacent port. In Block mode, the module blocks the route. FormericaOE Quad Port 10 Gbit/s Optical Bypass Module can Bypass or Block its I/O ports on a host system failure, power off, or upon software request. FormericaOE Quad Port 10 Gbit/s Optical Bypass Module can be integrated with any brand's Controllers CPU. It is suitable for connecting with in-line equipment's for power failure or system maintenance. When the In-Line unit is not on or is in bypass mode, the relays within the Optical Bypass Module are set to bridge the optical signals directly through the optical switch, completely bypassing the In-Line equipment. If the In-Line equipment is on and operating normally, then it supplies power to the switch through a high speed connector PIN. Compact and competitive cost, this module provides excellent performance on your network.

Block Diagram and Optical Paths



Module Pin Out



84 PIN Assignments

Pin Number	Name	I/O	Function	Note
1	Vcc5_2		5.0V Power Supper (OSW2 Power)	
2	GND			
3	On-Line	O	1K Ohm to Ground	
4	GND			
5	OE1 TX Disable	I	Transmitter Disable for OE-1	2
6	OE1 TX Fault	O	Transmitter Fault Indication for OE-1	1
7	OE1 MOD-DEF2	I/O	2 Wire Serial ID Interface (Data) for OE-1	3
8	OE1 MOD-DEF1	I	2 Wire Serial ID Interface (Clock) for OE-1	3
9	OE1 Vcc		3.3V for Tx1 Power Supply and Rx1 Power Supply – 300mA	
10	OE1-Link	I	OE1-Link LED Indicator (Voltage Low/ LED Green)	
11	OE1-Speed	I	OE1-Speed LED Indicator (Voltage Low / LED Blue)	
12	OE1 Rate Select	I	High: 10 Gbps; Low: 1.25 Gbps	
13	GND			
14	OE3 TX Disable	I	Transmitter Disable for OE-3	2
15	OE3 TX Fault	O	Transmitter Fault Indication for OE-3	1
16	OE3 MOD-DEF2	I/O	2 Wire Serial ID Interface (Data) for OE-3	3
17	OE3 MOD-DEF1	I	2 Wire Serial ID Interface (Clock) for OE-3	3
18	OE3 Vcc		3.3V for Tx3 Power Supply and Rx3 Power Supply – 300mA	
19	OE3-Link	I	OE3-Link LED Indicator (Voltage Low/ LED Green)	
20	OE3-Speed	I	OE3-Speed LED Indicator (Voltage Low / LED Blue)	
21	OE3 Rate Select	I	High: 10 Gbps; Low: 1.25Gbps	
22	GND			
23	OE2 TX Disable	I	Transmitter Disable for OE-2	2
24	OE2 TX Fault	O	Transmitter Fault Indication for OE-2	1
25	OE2 MOD-DEF2	I/O	2 Wire Serial ID Interface (Data) for OE-2	3
26	OE2 MOD-DEF1	I	2 Wire Serial ID Interface (Clock) for OE-2	3
27	OE2 Vcc		3.3V for Tx2 Power Supply and Rx2 Power Supply – 300mA	
28	OE-2-Link	I	OE2-Link LED indicator (Voltage Low / LED Green)	
29	OE-2-Speed	I	OE2-Speed LED indicator (Voltage Low / LED Blue)	
30	OE2 Rate Select	I	High: 10 Gbps; Low: 1.25Gbps	
31	GND			
32	OE4 TX Disable	I	Transmitter Disable for OE-4	2
33	OE4 TX Fault	O	Transmitter Fault indication for OE-4	1
34	OE4 MOD-DEF2	I/O	2 Wire Serial ID Interface (Data) for OE-4	3
35	OE4 MOD-DEF1	O	2 Wire Serial ID Interface (Clock) for OE-4	3
36	OE4 Vcc4		3.3V for Tx4 Power Supply and Rx4 Power Supply – 300mA	
37	OE-4-Link	I	OE4-Link LED Indicator (Voltage Low / LED Green)	
38	OE-4-Speed	I	OE4-Speed LED Indicator (Voltage Low / LED Blue)	
39	OE4 Rate Select	I	High: 10 Gbps; Low: 1.25 Gbps	
40	GND			
41	GND			
42	Vcc5_1		5.0V Power Supply (OSW 1 Power)	8
43	OSW 1 N1	I	Change to Normal mode for OSW1	7/9
44	OSW 1 B1	I	Change to Bypass mode for OSW1	7/9
45	OSW 1 State Output	O	High=Normal Mode, Low=Bypass Mode for OSW1	

Pin Number	Name	I/O	Function	Note
46	OE4 GND		OE4 Signal Ground	
47	OE4 RD-	O	OE4 Inversed Data Output	5
48	OE4 RD+	O	OE4 Data Output	5
49	OE4 GND		OE4 Signal Ground	
50	OE4 GND		OE4 Signal Ground	
51	OE4 TD+	I	OE4 Data Input	6
52	OE4 TD-	I	OE4 Data Input	6
53	OE4 GND		OE4 Signal Ground	
54	OE4 LOS	O	Loss of Signal for OE-4	4
55	OE2 LOS	O	Loss of Signal for OE-2	4
56	OE2 GND		OE2 Signal Ground	
57	OE2 RD-	O	OE2 Inversed Data Output	5
58	OE2 RD+	O	OE2 Data Output	5
59	OE2 GND		OE2 Signal Ground	
60	OE2 GND		OE2 Signal Ground	6
61	OE2 TD+	I	OE2 Data Input	6
62	OE2 TD-	I	OE2 Inversed Data Input	
63	OE2 GND		OE2 Signal Ground	
64	OE3 GND		OE3 Signal Ground	
65	OE3 RD-	O	OE3 Inversed Data Output	5
66	OE3 RD+	O	OE3 Data Output	5
67	OE3 GND		OE3 Signal Ground	
68	OE3 GND		OE3 Signal Ground	
69	OE3 TD+	I	OE3 Data Input	6
70	OE3 TD-	I	OE3 Inversed Data Input	6
71	OE3 GND		OE3 Signal Ground	
72	OE3 LOS	O	Loss of Signal for OE-3	4
73	OE1 LOS	O	Loss of Signal for OE-1	4
74	OE1 GND		OE1 Signal Ground	
75	OE1 RD-	O	OE1 Inversed Data Output	5
76	OE1 RD+	O	OE1 Data Output	5
77	OE1 GND		OE1 Signal Ground	
78	OE1 GND		OE1 Signal Ground	
79	OE1 TD+	I	OE1 Data Input	6
80	OE1 TD-	I	OE1 Inversed Data Input	6
81	OE1 GND		OE1 Signal Ground	
82	OSW 2 N2	I	Change to Normal mode for OSW2	7/9
83	OSW 2 B2	I	Change to Bypass mode for OSW2	7/9
84	OSW 2 State Output	O	High=Normal mode, Low=Bypass mode for OSW2	

23 PIN Assignments

Pin Number	Name	I/O	Function	Note
1	Vcc5_1		5.0V Power Supper (OSW1 Power)	
2	Vcc5_1		5.0V Power Supper (OSW1 Power)	
3	OE4-Speed	I	OE4-Speed LED Indicator (Voltage Low / LED Blue)	
4	OE1-Link	I	OE1-Link LED Indicator (Voltage Low/ LED Green)	
5	OE4-Link	I	OE4-Link LED Indicator (Voltage Low / LED Green)	
6	OE1-Speed	I	OE1-Speed LED Indicator (Voltage Low / LED Blue)	
7	OE3-Speed	I	OE3-Speed LED Indicator (Voltage Low / LED Blue)	
8	OE2-Link	I	OE2-Link LED indicator (Voltage Low / LED Green)	
9	OE3-Link	I	OE3-Link LED Indicator (Voltage Low/ LED Green)	
10	OE2-Speed	I	OE2-Speed LED indicator (Voltage Low / LED Blue)	
11	OSW 2 State Output	O	High=Normal mode, Low=Bypass mode for OSW2	
12	OSW 1 State Output	O	High=Normal Mode, Low=Bypass Mode for OSW1	
13	GND			
14	GND			
15	OSW 2 B2	I	Change to Bypass mode for OSW2	
16	OSW 1 B1	I	Change to Bypass mode for OSW1	
17	OSW 2 N2	I	Change to Normal mode for OSW2	
18	OSW 1 N1	I	Change to Normal mode for OSW1	
19			No Connector	
20			No Connector	
21			No Connector	
22	Vcc5_2		5.0V Power Supper (OSW2 Power)	
23	Vcc5_2		5.0V Power Supper (OSW2 Power)	

Notes:

- TX Fault is an open collector/drain output, which should be pulled up with a 4.7K – 10K Ω resistor on the host board. Pull up voltage between 2.0V and VccT, R+0.3V. When high, output indicates a laser fault of some kind. Low indicates normal operation. In the low state, the output will be pulled to < 0.5V.
- TX disable is an input that is used to shut down the transmitter optical output. It is pulled up within the module with a 4.7– 10 K Ω resistor. Its states are:
 - Low (0 – 0.8V): Transmitter on
 - (>0.8, < 2.0V): Undefined
 - High (2.0 – 3.465V): Transmitter Disabled
 - Open: Transmitter Disabled

3. Mod-Def 1,2, These are the module definition pins. They should be pulled up with a 4.7K – 10KΩ resistor on the host board. The pull-up voltage shall be VccT or VccR (see Section IV for further details). Mod-Def 0 is grounded by the module to indicate that the module is present Mod-Def 1 is the clock line of two wire serial interface for serial ID Mod-Def 2 is the data line of two wire serial interface for serial ID
4. LOS (Loss of Signal) is an open collector/drain output, which should be pulled up with a 4.7K – 10KΩ resistor. Pull up voltage between 2.0V and VccT, R+0.3V. When high, this output indicates the received optical power is below the worst-case receiver sensitivity (as defined by the standard in use). Low indicates normal operation. In the low state, the output will be pulled to < 0.5V.
5. RD-/+ : These are the differential receiver outputs. They are AC coupled 100Ω differential lines which should be terminated with 100Ω (differential) at the user SERDES. The AC coupling is done inside the module and is thus not required on the host board. The voltage swing on these lines will be between 350 and 850 mV differential (175 – 425 mV single ended) when properly terminated.
6. TD-/+ : These are the differential transmitter inputs. They are AC-coupled, differential lines with 100Ω differential termination inside the module. The AC coupling is done inside the module and is thus not required on the host board. The inputs will accept differential swings of 180 – 700 mV (90 – 350 mV single-ended).
7. Latching Type - The input is used to control the optical switch mode for OSW

Normal mode: OSW N1/N2: > 3.75V and OSW B1/B2 < 0.5V and over 20ms.

Bypass mode: OSW N1/N2: < 0.5V and OSW B1/B2 >3.75V and over 20ms
8. Non-Latching Type - High =Normal Mode, Low=Bypass Mode for OSW.
9. Non-Latching Type - Pin 43, 44, 82 and 83: Ground

Absolute Maximum Ratings

Parameter	Symbol	Min.	Typ.	Max.	Unit
Storage Temperature	Ts	-40		85	°C
Supply Voltage	Vcc	0		5	V

Recommended Operating Conditions

Parameter	Symbol	Min.	Typ.	Max.	Unit	Note
Case Operating Temperature	Tc	0		70	°C	1
+5.0V Supply Voltage	Vcc5	4.75		5.25	V	Vcc5
+3.3V Supply Voltage	Vcc3	3.10		3.50	V	
Relative Humidity (non condensation)		5		85	%	
Data Rate		-100ppm	10.3125	+100ppm	Gbps	

Note1 : Please see order information

Electrical Characteristics

Parameter	Symbol	Min.	Typ.	Max.	Unit	Note
+5.0V Supply Current	Icc5			100	mA	
+3.3V Supply Current	Icc3			1200	mA	
Transmitter						
Transmitter Differential Input Voltage	V _{DT}	180		700	mV	1
Transmitter Disable Input-High	V _{DISH}	2		Vcc+0.3	V	
Transmitter Disable Input-Low	V _{DISL}	0		0.8	V	
Transmitter Fault Pull up Resistor	R _{TX_FAULT}	4.7		10	KΩ	2
Transmitter Fault Output-High	V _{TXFH}	2.4		Vcc	V	2
Transmitter Fault Output-Low	V _{TXFL}	0		0.5	V	2
Receiver						
Receiver Differential Output Voltage	V _{DR}	350		850	mV	3
Receiver LOS Load	R _{RXLOS}	4.7		10	KΩ	2
LOS Output Voltage-High	V _{LOSH}	2.4		Vcc	V	2
LOS Output Voltage-Low	V _{LOSL}	0		0.5	V	2
Optical Switch						
Latching Voltage-High	V _{LATH}	4.75	5	5.25	V	
Latching Voltage-Low	V _{LATL}	0		0.8	V	
Latching Resistance	R _{LAT}		125		Ω	

Notes:

1. Internally AC coupled and terminated to 100Ohm differential load
2. Pull up to Vcc on Host Board.
3. Internally AC coupled, but requires a 100Ohm differential termination at or internal to Serializer/Deserializer.

Optical Characteristics(Tc=0~70°C, Data Rate=10.3125Gb/sec, PRBS=2³¹-1 NRZ)

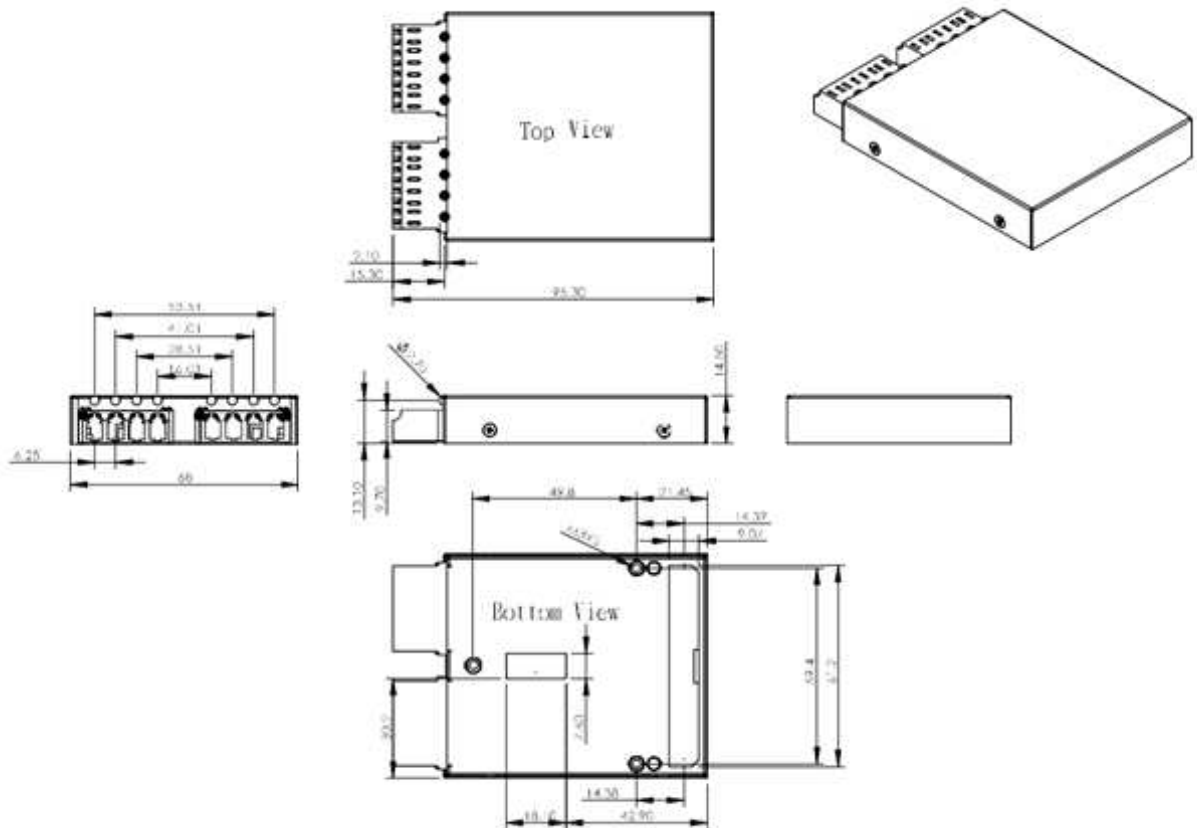
Parameter	Multimode Fiber Type	Min. Modal Bandwidth (MHz*km)	Operating Range (m)	Maximum Channel Intertion Loss (dB)
Operating Range	62.5um MMF OM1	200	20 to 33	1.6
	50um MMF OM2	500	2 to 82	1.8
	50um MMF OM3	2000	2 to 300	2.6

Parameter	Symbol	Min.	Typ.	Max.	Unit	Note
Transmitter						
Output Optical Power(Avg.)	P _o	-7.1		-1	dBm	1
Optical Extinction Ratio	ER	3.5			dB	
Center Wavelength	λ _C	840	850	860	nm	
Spectral Width (RMS)	σ			0.45	nm	
Receiver						
Sensitivity (OMA)	PIN			-11.1	dBm	1,2
Input Optical Wavelength	λ	840		860	DBm	
Return Loss				-12	dB	
LOS-Deasserted (Avg.)	PA			-14	dBm	
LOS-Asserted (Avg.)	PD	-30			dBm	
LOS-Hysteresis	PA – PD	0.5			dB	
Overload	P _o			-1	dBm	
Optical Switch						
Wavelength Range	λ _R	670		980	nm	
Insertion Loss	OIL	0.9		1.8	dB	
Return Loss	ORL	30			dB	
Switch Time				8	ms	
Lifetime			≥ 10 ⁷		times	
Latching Resistance	R _{LAT}		125		Ω	

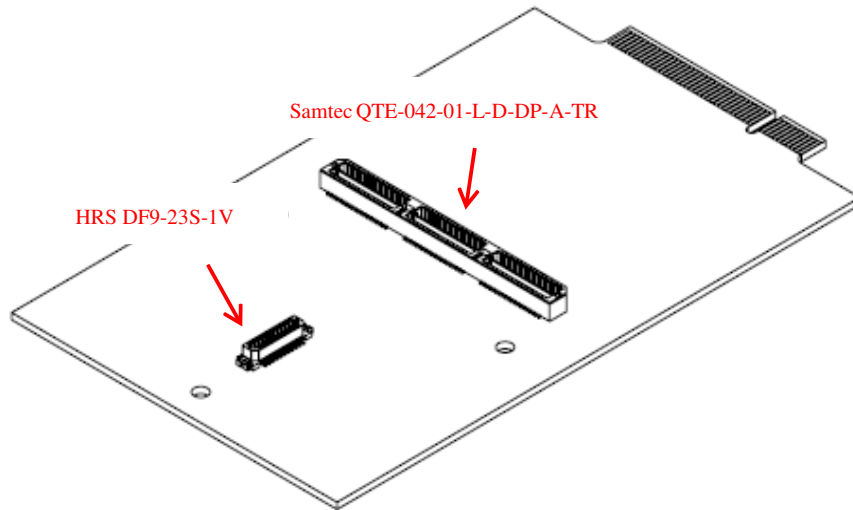
Notes:

1. Normal Mode (Bypass off).
2. The sensitivity provided at a BER of 1×10^{-12} or better with an input signal consisting of 10.3125Gb/s, $2^{31} - 1$ PRBS

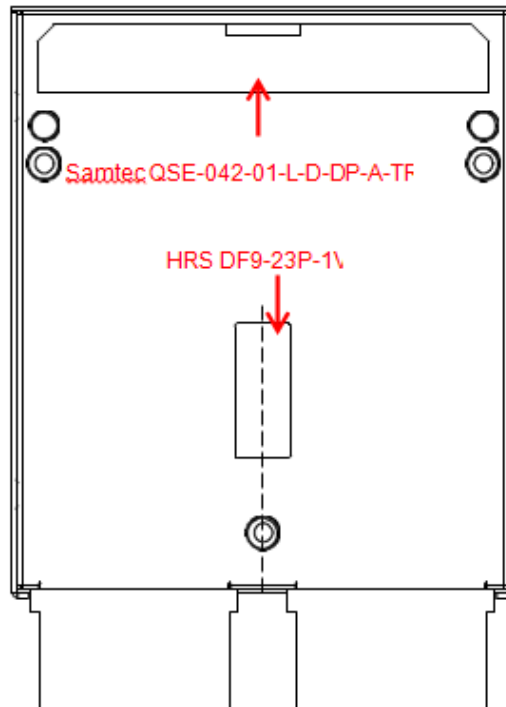
Package Outline Drawing (mm)



Host Board B2B Connector



Customer Host Board Top View



Fiber Bypass Module: Bottom View

EEPROM Serial ID Memory Contents (2-Wire Address A0H)

Address	HEX	Name of Field	Description
00	03	Identifier	SFP
01	04	Extended Identifier	SFP
02	07	Connector type	LC
03	10	10G Ethernet Compliance Codes	10G Base SR
04	00	SONET Compliance Codes	Not compliant
05	00	SONET Compliance Codes	Not compliant
06	00	Ethernet Compliance Codes	1000BASE-LX
07	20	Fiber Channel link length	intermediate distance (I)
08	40	Fiber Channel transmitter technology	Shortwave laser w/o OFC (SN)
09	0C	Fiber Channel transmission media	Multimode 62.5um and 50um
10	80	Fiber Channel speed	1200 MBytes/sec
11	06	Encoding codes:	64B/66B
12	67	Nominal Bit Rate (units of 100Mbps)	10.3Gbps
13	00	Rate identifier	Unspecified
14	00	Link length supported for 9um fiber	N/A (units of km)
15	00	Link length supported for 9um fiber	N/A (units of 100m)
16	08	Link length supported for 50um,OM2	80 m (units of 10m)
17	03	Link length supported for 62.5um,OM1	30 m (units of 10m)
18	00	Link length supported for copper	N/A (units of 1m)
19	1E	Link length supported for 50um,OM3	300m (units of 10m)
20 ~ 35	46,4F,52,4D,45,52,49,43,41,4F,45,20,20,20,20,20	Vendor Name	FORMERICA OE
36	00	Unallocated	
37 ~ 39	00,00,00	Vendor OUI	Unspecified
40 ~ 55	4F,42,4D,2D,42,31,43,48,34,2D,50,30,31,20,20,20	Part Number	OBM-B1CH4-P01
56 ~ 59	00,00,00,00	Vendor Revision number	Unspecified
60 ~ 61	03,52	Laser Wavelength	850nm
62	00	Unallocated	
63		CC_BASE:	Check sum of byte 0 ~ 62
64	00	Options	
65	1A	Options	TX-DIS, TX_FAULT, RX-LOS
66	00	Bit Rate, max.	Unspecified
67	00	Bit Rate, min.	Unspecified
68 ~ 83	Serial Number	Serial Number	
84 ~ 89	yy/mm/dd	Date Code	
90 ~ 91	20,20	Vendor specific lot code	Unspecified
92	68	Diagnostic Monitoring Type	Internal calibration
93	B0	Enhanced Options (soft)	Alarm/Warning flags, Soft TX_FAULT, Soft RX_LOS, implemented

94	03	SFF-8472 Compliance	Rev10.2
95		CC_EXT	Check sum of byte 64 ~ 94
96~127		Vendor specific	

EEPROM Serial ID Memory Contents (2-Wire Address A2H)

Add	Bytes	Name	Hex	Real Value
00-01	2	Temp High Alarm	4600	70°C
02-03	2	Temp Low Alarm	0000	0°C
04-05	2	Temp High Warning	4400	68°C
06-07	2	Temp Low Warning	0200	2°C
08-09	2	Voltage High Alarm	8CA0	3.6V
10-11	2	Voltage Low Alarm	7530	3.0V
12-13	2	Voltage High Warning	88B8	3.5V
14-15	2	Voltage Low Warning	7918	3.1V
16-17	2	Bias High Alarm	1964	13mA
18-19	2	Bias Low Alarm	01F4	1mA
20-21	2	Bias High Warning	1770	12mA
22-23	2	Bias Low Warning	02EE	1.5mA
24-25	2	TX Power High Alarm	2710	0dBm
26-27	2	TX Power Low Alarm	0630	-8dBm
28-29	2	TX Power High Warning	22D0	-0.5dBm
30-31	2	TX Power Low Warning	06F2	-7.5dBm
32-33	2	RX Power High Alarm	2710	0dBm
34-35	2	RX Power Low Alarm	0232	-12.5dBm
36-37	2	RX Power High Warning	22D0	-0.5dBm
38-39	2	RX Power Low Warning	0276	-12.01dBm
40-55	16	Reserved	00	-
56-59	4	RX_PWR(4)	00000000	0
60-63	4	RX_PWR(3)	00000000	0
64-67	4	RX_PWR(2)	00000000	0
68-71	4	RX_PWR(1)	3F800000	1
72-75	4	RX_PWR(0)	00000000	0
76-77	2	TX_I(Slope)	0100	1
78-79	2	TX_I(Offset)	0000	0
80-81	2	TX_PWR(Slope)	0100	1
82-83	2	TX_PWR(Offset)	0000	0
84-85	2	T(Slope)	0100	1
86-87	2	T(Offset)	0000	0
88-89	2	V(Slope)	0100	1
90-91	2	V(Offset)	0000	0
92-94	3	Reserved	00	-
95	1	Checksum	-	

Reliability Compliance

Feature	Test Method
Sine Vibration (Packaged) Test	<ol style="list-style-type: none">1. Waveform: Sine Wave2. Frequency: 5 ~ 500Hz3. Displacement: 1.5mm (5 ~ 25.74Hz)4. Acceleration: 2.0G (25.74 ~ 500Hz)5. Sweep Type: Logarithmic6. Sweep Rate: 0.1 Octave / Minutes7. Vibration Axial: X, Y, Z Axis8. Test Duration Time: 2 hours for each Axis, 6 hours in total
Handling Drop (Packaged) Test	<ol style="list-style-type: none">1. Compliant GR63 5.3.1 Standard2. Drop height 36"3. 3 Surfaces, 3 edges, 4 corners
Random Vibration (Packaged) Test	<ol style="list-style-type: none">1. Waveform: Random Wave2. Frequency: 5 ~ 500Hz3. PSD: 0.016 G²/Hz4. Acceleration: 2.81 Grms5. Vibration Axial: X, Y, Z Axis6. Test Duration Time: 1 hours for each Axis, 3 hours in total