



Chipsmall Limited consists of a professional team with an average of over 10 year of expertise in the distribution of electronic components. Based in Hongkong, we have already established firm and mutual-benefit business relationships with customers from,Europe,America and south Asia,supplying obsolete and hard-to-find components to meet their specific needs.

With the principle of “Quality Parts,Customers Priority,Honest Operation,and Considerate Service”,our business mainly focus on the distribution of electronic components. Line cards we deal with include Microchip,ALPS,ROHM,Xilinx,Pulse,ON,Everlight and Freescale. Main products comprise IC,Modules,Potentiometer,IC Socket,Relay,Connector.Our parts cover such applications as commercial,industrial, and automotives areas.

We are looking forward to setting up business relationship with you and hope to provide you with the best service and solution. Let us make a better world for our industry!



Contact us

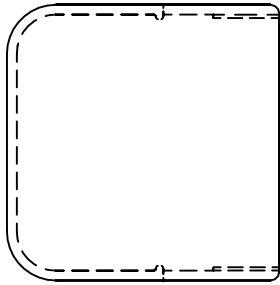
Tel: +86-755-8981 8866 Fax: +86-755-8427 6832

Email & Skype: info@chipsmall.com Web: www.chipsmall.com

Address: A1208, Overseas Decoration Building, #122 Zhenhua RD., Futian, Shenzhen, China



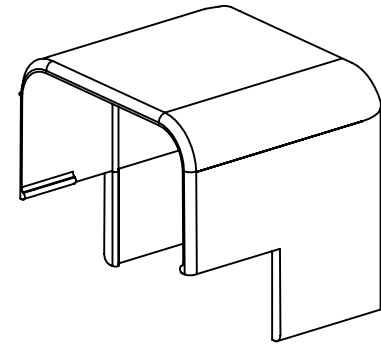
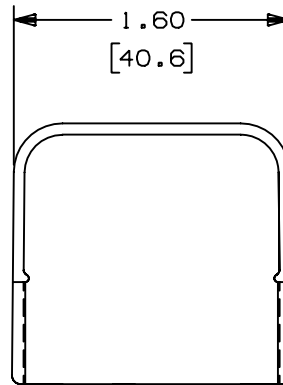
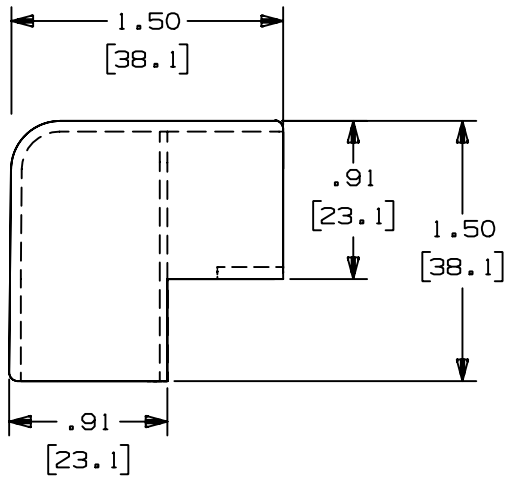
THIS COPY IS PROVIDED ON A RESTRICTED BASIS AND IS NOT TO BE USED IN ANY WAY DETRIMENTAL TO THE INTERESTS OF PANDUIT CORP.



PANDUIT P/N	WEIGHT
OCF10	1.36 LB/ 100PCS. (617g/ 100PCS.)

NOTES:

- SEE CURRENT CATALOG FOR ADDITIONAL PART SUFFIXES TO INDICATE COLOR AND OR PACKAGE QUANTITY.
- DIMENSIONS IN PARENTHESIS ARE IN METRIC.



CAD FILENAME/LAYERS D34116BE_DC_OCF10_02B.PRT

PANDUIT CORP. TINLEY PARK, ILLINOIS
OUTSIDE CORNER FITTING (OCF10)
 CUSTOMER DRAWING

REV	DATE	BY	CHK	DESCRIPTION	ECN	R	CUST	SUP
5	09-06-00	JHNU	HIW	E. REVISED AND REDRAWN	17777	HIW	HIW	
4	10-03-91	DW	CF	D. REV'D NOTE AND REMOVED COLOR FROM DWG	17777	4	WJB/CF	
3	02-28-91	DW	CF	C. REV'D COLORS: OMIT BLACK, BEIGE, LIGHT IVORY, AND LIGHT GREY. ADDED INT. WHITE AND INT. GREY	17777	3	WJB	
2	12-02-87	LDB	WJB	B. ADDED P/N OCF10E1 AND OCF10L1	17777	2	WJB	
1	10-01-84	FEW	HMP	A. REVISED MAT'L	17777	1	AJC	
R	11-04-82	SS	HMP	DRAWING RELEASED	17777	R	JKR	

UNLESS OTHERWISE SPECIFIED, DIMENSIONAL TOLERANCES ARE: (.X) ± (.XXX) ± (.XX) ±.03 (.8) ANGLES ±		UNLESS OTHERWISE SPECIFIED, ALL DIMENSIONS ARE GIVEN IN INCHES, THIRD ANGLE PROJECTION.	
DRAWN BY SARGIS	MAT'L: POLYSTYRENE	SCALE FULL	
DATE 11-04-82		DRAWING NO. SS-17777	DWG SIZE A
CHK'D JVL			