



Chipsmall Limited consists of a professional team with an average of over 10 year of expertise in the distribution of electronic components. Based in Hongkong, we have already established firm and mutual-benefit business relationships with customers from,Europe,America and south Asia,supplying obsolete and hard-to-find components to meet their specific needs.

With the principle of “Quality Parts,Customers Priority,Honest Operation,and Considerate Service”,our business mainly focus on the distribution of electronic components. Line cards we deal with include Microchip,ALPS,ROHM,Xilinx,Pulse,ON,Everlight and Freescale. Main products comprise IC,Modules,Potentiometer,IC Socket,Relay,Connector.Our parts cover such applications as commercial,industrial, and automotives areas.

We are looking forward to setting up business relationship with you and hope to provide you with the best service and solution. Let us make a better world for our industry!



## Contact us

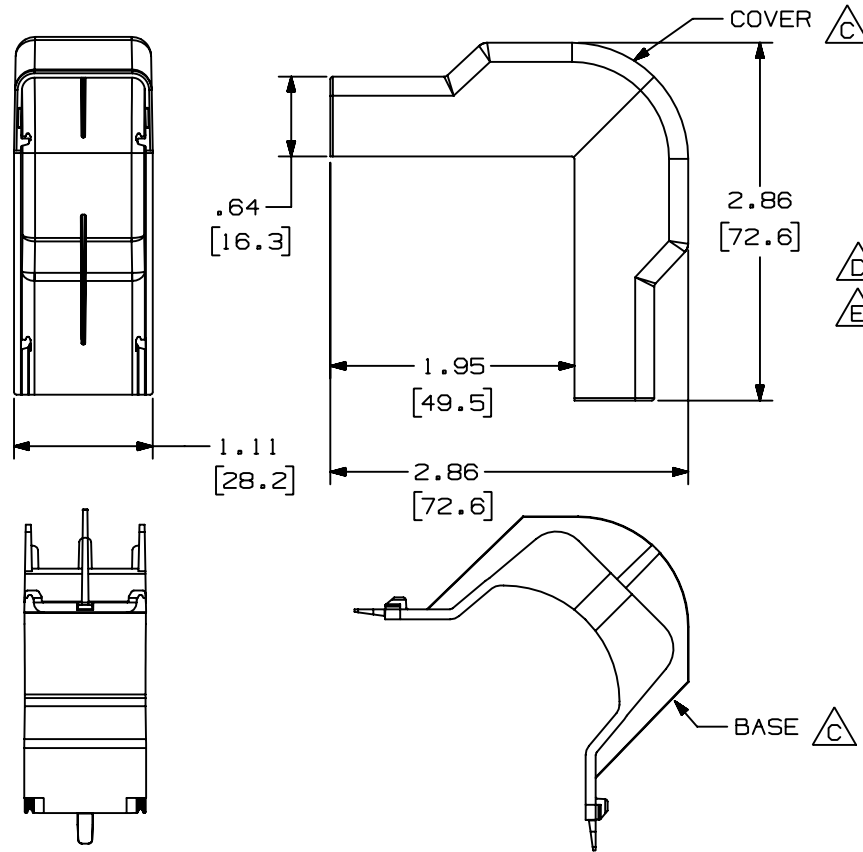
Tel: +86-755-8981 8866 Fax: +86-755-8427 6832

Email & Skype: info@chipsmall.com Web: www.chipsmall.com

Address: A1208, Overseas Decoration Building, #122 Zhenhua RD., Futian, Shenzhen, China



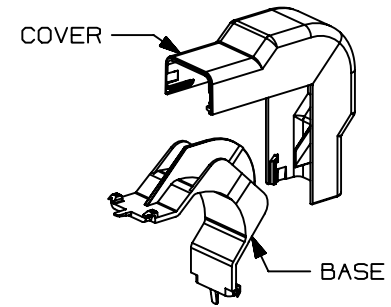
THIS COPY IS PROVIDED ON A RESTRICTED BASIS AND IS NOT TO BE USED IN ANY WAY DETRIMENTAL TO THE INTERESTS OF PANDUIT CORP.



PANDUIT PART NO.	WEIGHT
OCFX5	5.1 LB/100 PCS (2334 g/100 PCS)

NOTES:

- SEE CURRENT CATALOG FOR ADDITIONAL PART NUMBER SUFFIXES TO INDICATE COLOR AND OR PACKAGE QUANTITY.
- THIS PRODUCT IS INTENDED TO BE USED WITH PANDUIT TYPE LD5 AND LDP5 RACEWAY.
- NOMINAL WALL THICKNESSES;  
BASE = .080 [2.0]  
COVER = .055 [1.4]
- THIS PRODUCT IS FEATURED WITH THE TIA/EIA COMPLIANT BEND RADIUS.
- DIMENSIONS IN PARENTHESIS ARE IN METRIC.



CAD FILENAME/LAYERS D35012BB\_LD\_OCFX5\_03.PRT

PANDUIT CORP. TINLEY PARK, ILLINOIS

OUTSIDE CORNER FITTING BASE AND COVER (OCFX5)  
CUSTOMER DRAWING

3	03-15-04	JHEP	RGRO	E. REMOVED CD5 FROM NOTE 2.	35012-02	RGRO	RGRO		
2	03-30-99	DW	HIW	D. REVISED NOTE 2 WAS LD2P5 RACEWAY. C. REVISED PICTURES.	35012-02	HIW	HIW		
1	09-05-96	JBA	CEF	B. UPDATED METRIC DIMENSIONS. A. REV'D MATERIAL: WAS PVC.	35012-02	CEF	CEF		
R	11-09-95	DW	CEF	RELEASED TO PRODUCTION	35012-02	CEF			
REV	DATE	BY	CHK	DESCRIPTION	ECN	CHK	CUST	SUP	

UNLESS OTHERWISE SPECIFIED,  
DIMENSIONAL TOLERANCES ARE:  
(.X) ± (.XXX) ±.015 [.4]  
(.XX) ±.03 [.8] ANGLES ±

UNLESS OTHERWISE SPECIFIED,  
ALL DIMENSIONS ARE GIVEN  
IN INCHES, THIRD ANGLE PROJECTION.

DRAWN BY  
DW

MAT'L:

SCALE

NONE

DATE  
11-09-95

ABS/PC

DRAWING NO.

35012-02

DWG

A

CHECKED BY  
CEF

△

SIZE