



Chipsmall Limited consists of a professional team with an average of over 10 year of expertise in the distribution of electronic components. Based in Hongkong, we have already established firm and mutual-benefit business relationships with customers from,Europe,America and south Asia,supplying obsolete and hard-to-find components to meet their specific needs.

With the principle of “Quality Parts,Customers Priority,Honest Operation,and Considerate Service”,our business mainly focus on the distribution of electronic components. Line cards we deal with include Microchip,ALPS,ROHM,Xilinx,Pulse,ON,Everlight and Freescale. Main products comprise IC,Modules,Potentiometer,IC Socket,Relay,Connector.Our parts cover such applications as commercial,industrial, and automotives areas.

We are looking forward to setting up business relationship with you and hope to provide you with the best service and solution. Let us make a better world for our industry!



Contact us

Tel: +86-755-8981 8866 Fax: +86-755-8427 6832

Email & Skype: info@chipsmall.com Web: www.chipsmall.com

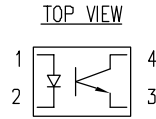
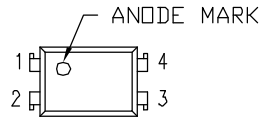
Address: A1208, Overseas Decoration Building, #122 Zhenhua RD., Futian, Shenzhen, China



UNCONTROLLED DOCUMENT

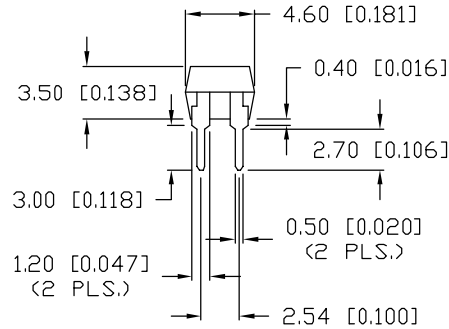
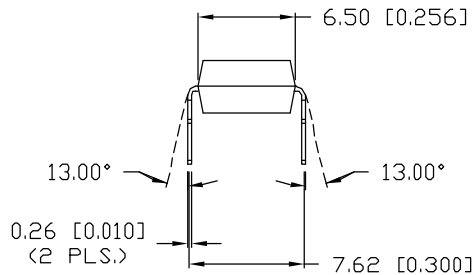
PART NUMBER
OCP-PCT114/X

REV.
C



NOTES:

1. ANODE
2. CATHODE
3. EMITTER
4. COLLECTOR



PART= /X	CTR (%)
/A	60 TO 160
/B	130 TO 260
/C	200 TO 400
/D	300 TO 600
/E	50 TO 600

PARAMETER	SYMBOL	MAX	UNITS
I	FORWARD CURRENT	IF	50 mA
	PEAK FORWARD CURRENT	IFM	1 A
	REVERSE VOLTAGE	VR	6 V
	POWER DISSIPATION	Pd	70 mW
O	COLLECTOR-EMITTER VOLTAGE	VCE0	60 V
	EMITTER-COLLECTOR VOLTAGE	VECO	6 V
	COLLECTOR CURRENT	IC	50 mA
	COLLECTOR POWER DISSIPATION	Pc	150 mW
	TOTAL POWER DISSIPATION	Ptot	200 mW
	ISOLATION VOLTAGE 1 MIN.	VISO	5000 VRMS
	OPERATING TEMPERATURE	Topr	-30 TO +100 °C
	STORAGE TEMPERATURE	Tstg	-55 TO +125 °C
	SOLDERING TEMPERATURE	Tsol	+260 °C
	2.0mm FROM BODY		10 SEC. MAX

PARAMETER	SYMBOL	CONDITIONS	MIN	TYP	MAX	UNITS
I	FORWARD VOLTAGE	IF=20mA	-	1.2	1.4	V
	PEAK FORWARD VOLTAGE	IFM=0.5A	-	-	3.5	V
	REVERSE CURRENT	VR=4V	-	-	10	µA
	TERMINAL CAPACITANCE	V=0, f=1kHz	-	30	-	pF
O	COLLECTOR DARK CURRENT	VCE=20V	-	-	10 ⁻⁷	A
T	CURRENT TRANSFER RATIO	IF=2mA, VCE=5V	50	-	600	%
	COLLECTOR-EMITTER SATURATION VOLTAGE	IF=20mA, IC=1mA	-	0.1	0.3	V
	ISOLATION RESISTANCE	DC500V	5x10 ¹⁰	10 ¹¹	-	ohm
	FLOATING CAPACITANCE	V=0, f=1MHz	-	0.6	1.0	pF
	CUT-OFF FREQUENCY	VCE=5V, IC=2mA, RL=100ohm	-	80	-	kHz
	RESPONSE TIME (RISE)	VCE=5V, IC=2mA, RL=100ohm	-	5	20	µS
	RESPONSE TIME (FALL)	VCE=5V, IC=2mA, RL=100ohm	-	4	20	µS

I=INPUT, O=OUTPUT, T=TRANSFER CHARACTERISTICS.

*UNLESS OTHERWISE SPECIFIED TOLERANCES PER DECIMAL PRECISION ARE: X=±1 (±0.039), X.X=±0.5 (±0.020), X.XX=±0.25 (±0.010), X.XXX=±0.127 (±0.005). LEAD SIZE=±0.05 (±0.002), LEAD LENGTH=±0.75 (±0.030). MIN.=+DECIMAL PRECISION MAX.=+0.00 -DECIMAL PRECISION

REV.
C

PART NUMBER
OCP-PCT114/X

CONFIDENTIAL INFORMATION
THE INFORMATION CONTAINED IN THIS DOCUMENT IS THE PROPERTY OF LUMEX INC. EXCEPT AS SPECIFICALLY AUTHORIZED IN WRITING BY LUMEX INC., THE HOLDER OF THIS DOCUMENT SHALL KEEP ALL INFORMATION CONTAINED HEREIN CONFIDENTIAL AND SHALL PROTECT SAME IN WHOLE OR IN PART FROM DISCLOSURE AND DISSEMINATION TO ALL THIRD PARTIES.



290 E. HELEN ROAD
PALATINE, IL 60067-6976
PHONE: +1.847.359.2790
US WEB: www.lumex.com
TW WEB: www.lumex.com.tw

FOUR PIN DIP SINGLE CHANNEL PHOTOCOUPLER,
TRANSISTOR OUTPUT, NO EXTERNAL BASE CONNECTION.

RELIABILITY NOTE
OUR MANY YEARS OF EXPERIENCE DATA ACCUMULATION INDICATE THAT SOLDER HEAT IS A MAJOR CAUSE OF EARLY AND FUTURE FAILURE. PLEASE PAY ATTENTION TO YOUR SOLDERING PROCESS.

DRAWN BY: JC	CHECKED BY:	APPROVED BY:	DATE: 9.29.99
			PAGE: 1 OF 1
			SCALE: N/A