



Chipsmall Limited consists of a professional team with an average of over 10 year of expertise in the distribution of electronic components. Based in Hongkong, we have already established firm and mutual-benefit business relationships with customers from,Europe,America and south Asia,supplying obsolete and hard-to-find components to meet their specific needs.

With the principle of “Quality Parts,Customers Priority,Honest Operation,and Considerate Service”,our business mainly focus on the distribution of electronic components. Line cards we deal with include Microchip,ALPS,ROHM,Xilinx,Pulse,ON,Everlight and Freescale. Main products comprise IC,Modules,Potentiometer,IC Socket,Relay,Connector.Our parts cover such applications as commercial,industrial, and automotives areas.

We are looking forward to setting up business relationship with you and hope to provide you with the best service and solution. Let us make a better world for our industry!



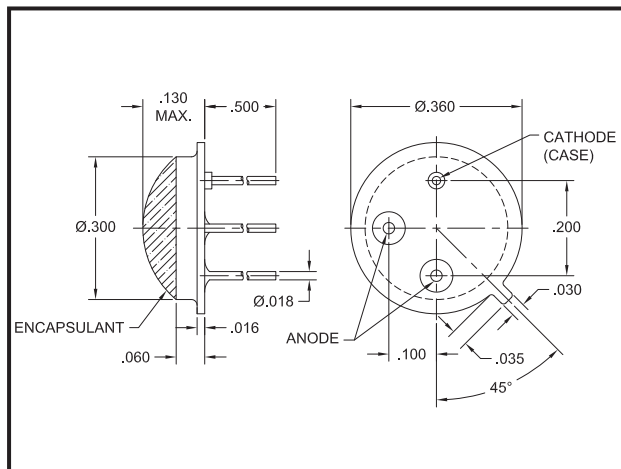
Contact us

Tel: +86-755-8981 8866 Fax: +86-755-8427 6832

Email & Skype: info@chipsmall.com Web: www.chipsmall.com

Address: A1208, Overseas Decoration Building, #122 Zhenhua RD., Futian, Shenzhen, China





FEATURES

- Ultra high optical output
- Four wire bonds on die corners
- Very uniform optical beam
- Standard 3-lead TO-39 hermetic package
- Chip size: 0.026 x 0.026

All surfaces are gold plated. Dimensions are nominal values in inches unless otherwise specified. Two Anode pins **must be** externally connected together.



ELECTRO-OPTICAL CHARACTERISTICS AT 25°C

PARAMETERS	TEST CONDITIONS	MIN	TYP	MAX	UNITS
Total Power Output, P _O	I _F = 500mA	160	250		mW
Peak Emission Wavelength, λ _p	I _F = 50mA		850		nm
Spectral Bandwidth at 50%, Δλ	I _F = 50mA		40		nm
Half Intensity Beam Angle, θ	I _F = 50mA		110		Deg
Forward Voltage, V _F	I _F = 500mA		1.7	2	Volts
Reverse Breakdown Voltage, V _R	I _R = 10μA	5	30		Volts
Rise Time	I _{FP} = 50mA		20		nsec
Fall Time	I _{FP} = 50mA		20		nsec

ABSOLUTE MAXIMUM RATINGS AT 25°C CASE

Power Dissipation ¹	1000mW
Continuous Forward Current	500mA
Peak Forward Current (10μs, 200Hz) ²	1.5A
Reverse Voltage	5V
Lead Soldering Temperature (1/16" from case for 10sec)	260°C

¹Derate per Thermal Derating Curve above 25°C

²Derate linearly above 25°C

THERMAL PARAMETERS

Storage and Operating Temperature Range	-40°C to 100°C
Maximum Junction Temperature	100°C
Thermal Resistance, R _{THJA} ¹	145°C/W Typical
Thermal Resistance, R _{THJA} ²	75°C/W Typical

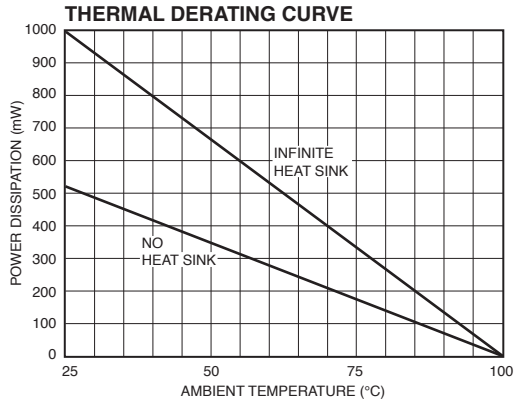
¹Heat transfer minimized by measuring in still air with minimum heat conducting through leads

²Air circulating at a rapid rate to keep case temperature at 25°C



750 Mitchell Road, Newbury Park, California 91320
 Phone: (805) 499-0335, Fax: (805) 499-8108
 Email: sales@optodiode.com, Website: www.optodiode.com

MAXIMUM RATINGS



TYPICAL CHARACTERISTICS

