



Chipsmall Limited consists of a professional team with an average of over 10 year of expertise in the distribution of electronic components. Based in Hongkong, we have already established firm and mutual-benefit business relationships with customers from,Europe,America and south Asia,supplying obsolete and hard-to-find components to meet their specific needs.

With the principle of “Quality Parts,Customers Priority,Honest Operation,and Considerate Service”,our business mainly focus on the distribution of electronic components. Line cards we deal with include Microchip,ALPS,ROHM,Xilinx,Pulse,ON,Everlight and Freescale. Main products comprise IC,Modules,Potentiometer,IC Socket,Relay,Connector.Our parts cover such applications as commercial,industrial, and automotives areas.

We are looking forward to setting up business relationship with you and hope to provide you with the best service and solution. Let us make a better world for our industry!



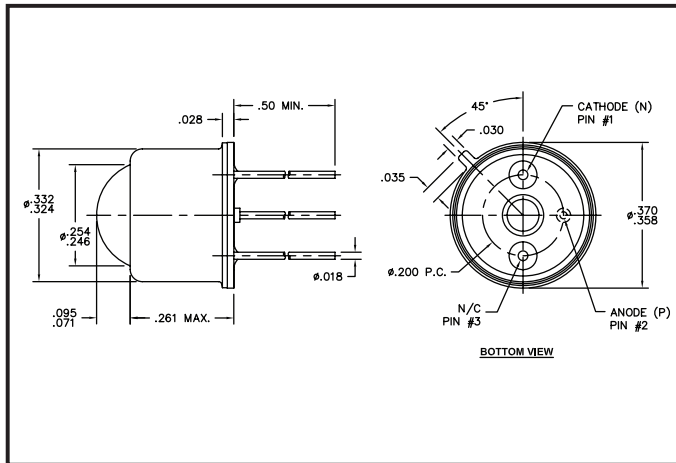
## Contact us

Tel: +86-755-8981 8866 Fax: +86-755-8427 6832

Email & Skype: info@chipsmall.com Web: www.chipsmall.com

Address: A1208, Overseas Decoration Building, #122 Zhenhua RD., Futian, Shenzhen, China





**FEATURES**

- Narrow beam angle
- Convenient TO-39 package with leads
- Hermetic package

Dimensions are nominal values in inches unless otherwise specified.



**ELECTRO-OPTICAL CHARACTERISTICS AT 25°C**

PARAMETERS	TEST CONDITIONS	MIN	TYP	MAX	UNITS
Total Power Output, $P_o$	$I_F = 350\text{mA}$	80	170		mW
Peak Emission Wavelength, $\lambda_p$	$I_F = 350\text{mA}$		635		nm
Spectral Bandwidth at 50%, $\Delta\lambda$			40		nm
Dominant Wavelength, $\lambda_d$				624	
Half Intensity Beam Angle, $\theta$	$I_F = 350\text{mA}$		7		Deg
Forward Voltage, $V_F$	$I_F = 350\text{mA}$		2.3	3.0	Volts
Reverse Breakdown Voltage, $V_R$	$I_R = 5\mu\text{A}$	10			Volts

**ABSOLUTE MAXIMUM RATINGS AT 25°C**

Continuous Forward Current	500mA
Reverse Voltage	10V
Lead Soldering Temperature (1/16" from case for 10sec)	260°C

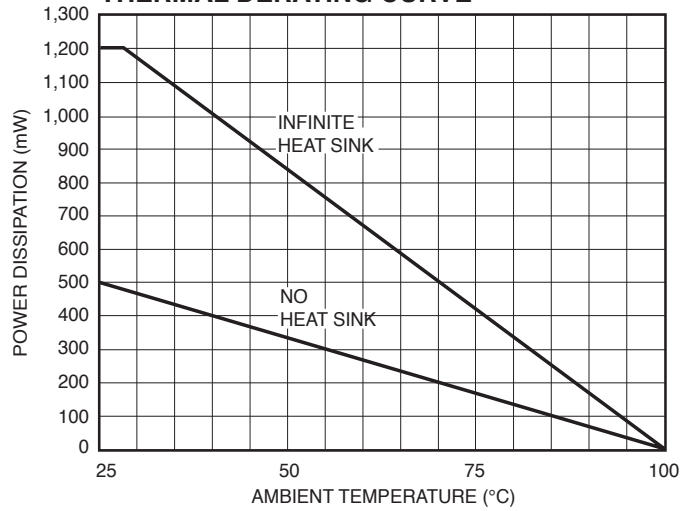
**THERMAL PARAMETERS**

Storage and Operating Temperature Range	-55°C TO 100°C
Maximum Junction Temperature	115°C
Thermal Resistance, $R_{THJA}^1$	150°C/W Typical
Thermal Resistance, $R_{THJA}^2$	60°C/W Typical

<sup>1</sup> Heat transfer minimized by measuring in still air with minimum heat conducting through leads.

<sup>2</sup> Air circulating at a rapid rate to keep case temperature at 25°C.

**THERMAL DERATING CURVE**



**RADIATION PATTERN**

