



Chipsmall Limited consists of a professional team with an average of over 10 year of expertise in the distribution of electronic components. Based in Hongkong, we have already established firm and mutual-benefit business relationships with customers from,Europe,America and south Asia,supplying obsolete and hard-to-find components to meet their specific needs.

With the principle of “Quality Parts,Customers Priority,Honest Operation,and Considerate Service”,our business mainly focus on the distribution of electronic components. Line cards we deal with include Microchip,ALPS,ROHM,Xilinx,Pulse,ON,Everlight and Freescale. Main products comprise IC,Modules,Potentiometer,IC Socket,Relay,Connector.Our parts cover such applications as commercial,industrial, and automotives areas.

We are looking forward to setting up business relationship with you and hope to provide you with the best service and solution. Let us make a better world for our industry!



## Contact us

Tel: +86-755-8981 8866 Fax: +86-755-8427 6832

Email & Skype: info@chipsmall.com Web: www.chipsmall.com

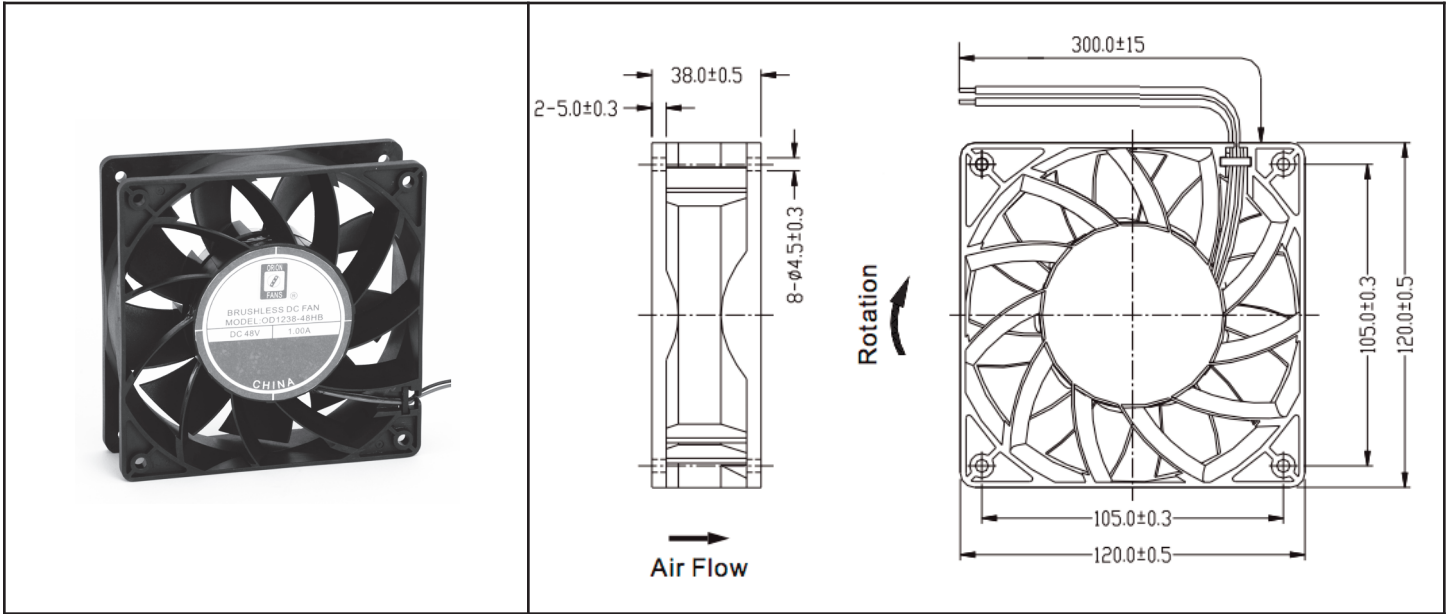
Address: A1208, Overseas Decoration Building, #122 Zhenhua RD., Futian, Shenzhen, China



# OD1238 VA Series DC Fan Vane Axial High Pressure



High Performance DC Fan 12, 24, 48V  
120x38mm (4.7"x 1.5")



Frame & Impeller	PBT, UL94V-0 plastic	<b>Available Options:</b> Tachometer Alarm Thermal Speed Control PWM IP55 Salt Fog  Life Expectancy (L10) 65,000 hours (45C)  Weight: ~0.78 lbs  m4	
Connection	2x Lead wires 24AWG		
Motor	Brushless DC, auto restart, polarity protected		
Bearing System	Dual ball bearing		
Insulation Resistance	10M ohm between leadwire and frame (500VDC)		
Dielectric Strength	1 minute at 500 VAC, max leakage < 500 MicroAmp		
Temperature Range	-20C ~ +75C		
Storage Temperature	-40C ~ +80C		

Model Number	Speed (RPM)	Airflow (CFM)	Noise (dB)	Volts DC	Voltage Range	Amps	Max. Static Pressure ("H <sub>2</sub> O)
OD1238-12HB-VXC	5000	226	65	12	6~14	3.6	1.35
OD1238-12MB-VXC	4000	189	59	12	6~14	2.0	0.85
OD1238-12LB-VXC	3000	140	52	12	6~14	1.5	0.46
OD1238-24HB-VXC	5000	226	65	24	12~28	1.7	1.35
OD1238-24MB-VXC	4000	189	59	24	12~28	1.1	0.85
OD1238-24LB-VXC	3000	140	52	24	12~28	0.6	0.46
OD1238-48HHB-VXC	6000	283	70	48	24~55	1.3	1.85
OD1238-48HB-VXC	5000	226	65	48	24~55	1.0	1.35
OD1238-48MB-VXC	4000	189	59	48	24~55	0.6	0.85
OD1238-48LB-VXC	3000	140	52	48	24~55	0.4	0.46