



Chipsmall Limited consists of a professional team with an average of over 10 year of expertise in the distribution of electronic components. Based in Hongkong, we have already established firm and mutual-benefit business relationships with customers from,Europe,America and south Asia,supplying obsolete and hard-to-find components to meet their specific needs.

With the principle of “Quality Parts,Customers Priority,Honest Operation,and Considerate Service”,our business mainly focus on the distribution of electronic components. Line cards we deal with include Microchip,ALPS,ROHM,Xilinx,Pulse,ON,Everlight and Freescale. Main products comprise IC,Modules,Potentiometer,IC Socket,Relay,Connector.Our parts cover such applications as commercial,industrial, and automotives areas.

We are looking forward to setting up business relationship with you and hope to provide you with the best service and solution. Let us make a better world for our industry!



Contact us

Tel: +86-755-8981 8866 Fax: +86-755-8427 6832

Email & Skype: info@chipsmall.com Web: www.chipsmall.com

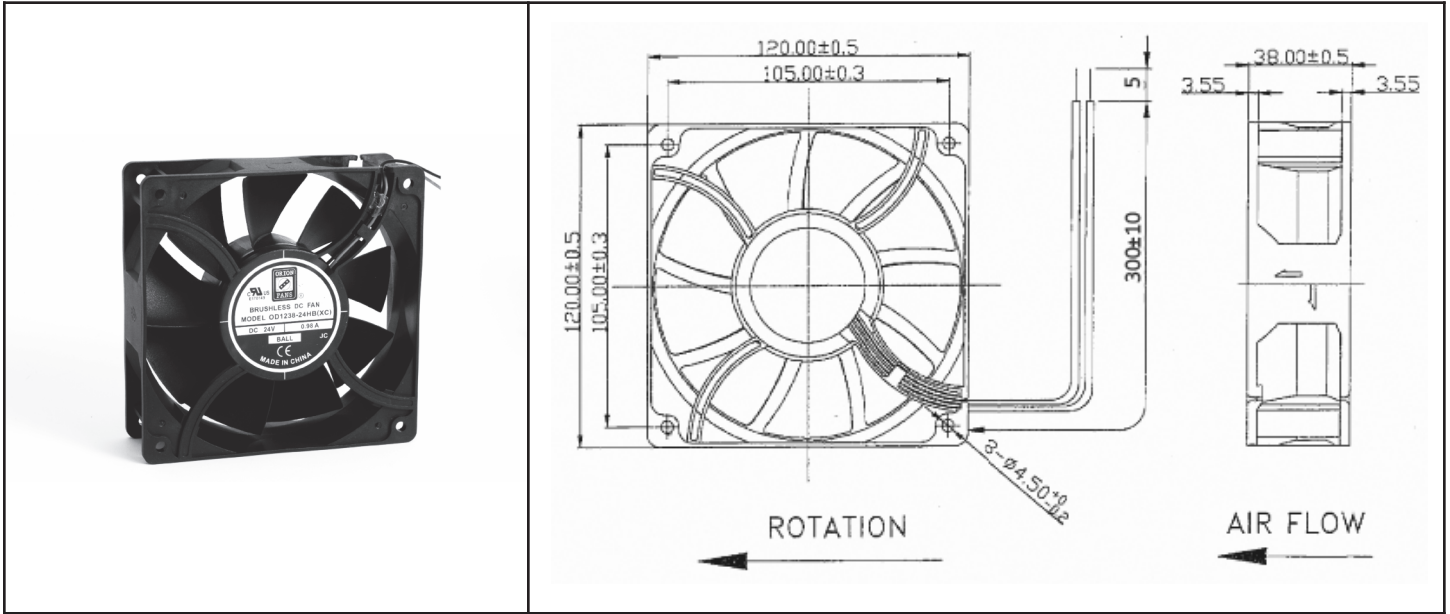
Address: A1208, Overseas Decoration Building, #122 Zhenhua RD., Futian, Shenzhen, China



OD1238 XC Series



High Performance DC Fan 12, 24, 48V
120x38mm (4.7"x 1.5")



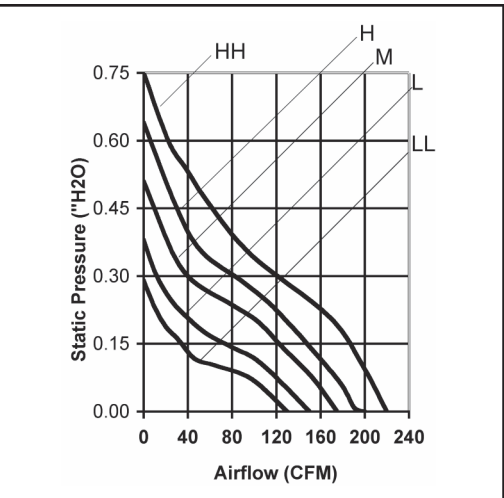
Frame & Impeller	PBT, UL94V-0 plastic
Connection	2x Lead wires 24AWG
Motor	Brushless DC, auto restart, polarity protected
Bearing System	Dual ball bearing
Insulation Resistance	10M ohm between leadwire and frame (500VDC)
Dielectric Strength	1 minute at 500 VAC, max leakage < 500 MicroAmp
Temperature Range	-10C ~ 70C
Storage Temperature	-40C ~ +80C

Available Options:
 Tachometer
 Alarm
 Thermal Speed Control
 PWM
 IP55

 Life Expectancy (L10)
 65,000 hours (45C)

 Weight: ~0.74 lbs

 m1



Model Number	Speed (RPM)	Airflow (CFM)	Noise (dB)	Volts DC	Input Power (Watts)	Amps	Max. Static Pressure (\"H2O)
OD1238-12HB-XC	4300	200	61	12	23	1.95	0.64
OD1238-12MB-XC	3800	175	57	12	18	1.50	0.51
OD1238-12LB-XC	3200	150	52	12	10	0.87	0.38
OD1238-24HB-XC	4300	200	61	24	19	0.98	0.64
OD1238-24MB-XC	3800	175	57	24	16	0.68	0.51
OD1238-24LB-XC	3200	150	52	24	9	0.42	0.38
OD1238-24LLB-XC	2800	130	48	24	7	0.30	0.29
OD1238-48HHB-XC	4700	220	63	48	32	0.68	0.75
OD1238-48HB-XC	4300	200	61	48	25	0.52	0.64
OD1238-48MB-XC	3800	175	57	48	17	0.36	0.51
OD1238-48LB-XC	3200	150	52	48	11	0.22	0.38
OD1238-48LLB-XC	2800	130	48	48	9	0.18	0.29