



Chipsmall Limited consists of a professional team with an average of over 10 year of expertise in the distribution of electronic components. Based in Hongkong, we have already established firm and mutual-benefit business relationships with customers from,Europe,America and south Asia,supplying obsolete and hard-to-find components to meet their specific needs.

With the principle of "Quality Parts,Customers Priority,Honest Operation,and Considerate Service",our business mainly focus on the distribution of electronic components. Line cards we deal with include Microchip,ALPS,ROHM,Xilinx,Pulse,ON,Everlight and Freescale. Main products comprise IC,Modules,Potentiometer,IC Socket,Relay,Connector.Our parts cover such applications as commercial,industrial, and automotives areas.

We are looking forward to setting up business relationship with you and hope to provide you with the best service and solution. Let us make a better world for our industry!



Contact us

Tel: +86-755-8981 8866 Fax: +86-755-8427 6832

Email & Skype: info@chipsmall.com Web: www.chipsmall.com

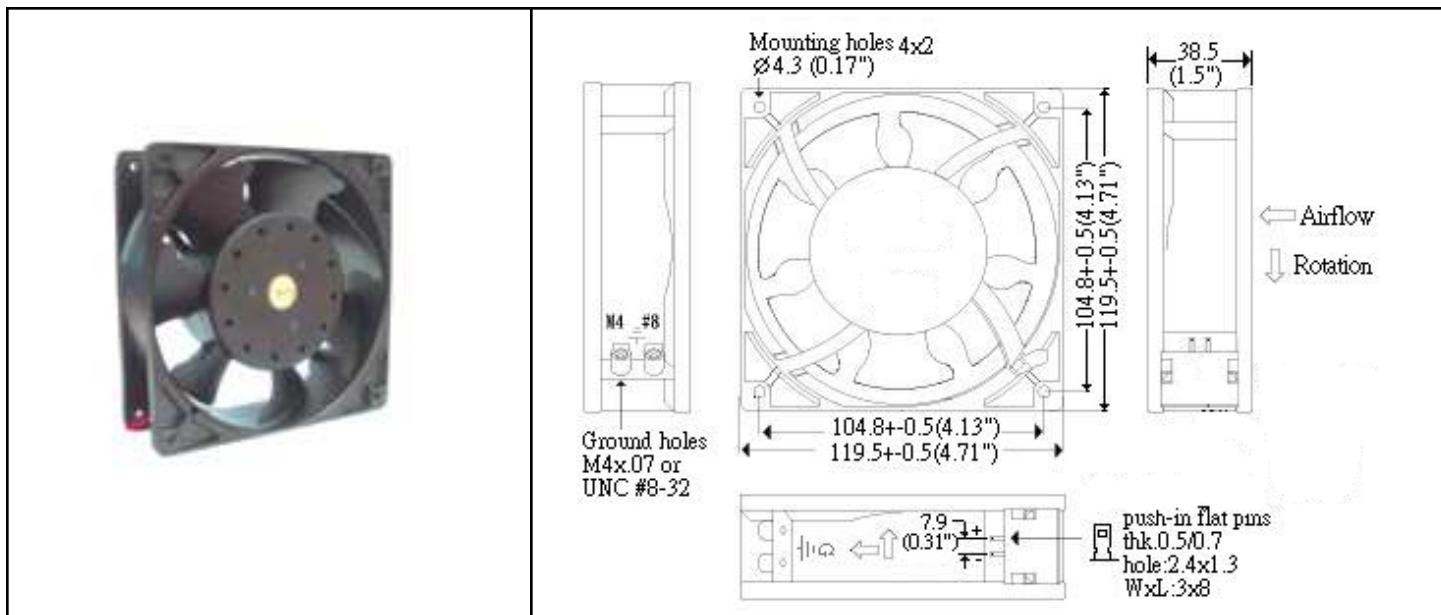
Address: A1208, Overseas Decoration Building, #122 Zhenhua RD., Futian, Shenzhen, China



OD1238AP Series



DC Fan - Metal Frame
120x38mm (4.7"x 1.5")



Frame	Diecast Aluminum (Black)	Available Options: Tachometer Alarm PWM Lead Wires Metal Impeller UL No.: E170149	
Impeller	PBT, UL94V-O plastic		
Connection	Terminals		
Motor	Brushless DC, auto restart, polarity protected		
Bearing System	Dual ball bearing		
Insulation Resistance	10M ohm between leadwire and frame (500VDC)		
Dielectric Strength	1 second at 500 VAC, max leakage - 500 MicroAmp		
Temperature Range	-15C ~ +65C		
Life (L10)	65,000 hours (45C)		

Model Number	Speed (RPM)	Airflow (CFM)	Noise (dB)	Volts DC	Input Power (Watts)	Amps	Max. Static Pressure (\"H2O)
OD1238AP-12HTB	3400	135	46	12	10.6	0.88	0.45
OD1238AP-12MTB	2800	108	41	12	6.0	0.50	0.37
OD1238AP-12LTB	1950	70	25	12	2.4	0.20	0.25
OD1238AP-24HTB	3600	140	48	24	10.3	0.43	0.48
OD1238AP-24MTB	3000	118	43	24	5.5	0.23	0.40
OD1238AP-24LTB	1950	70	25	24	3.6	0.15	0.25
OD1238AP-48HTB	3600	140	48	48	10.6	0.22	0.48
OD1238AP-48MTB	3000	118	43	48	5.0	0.10	0.28
OD1238AP-48LTB	1950	70	25	48	3.4	0.07	0.25