



Chipsmall Limited consists of a professional team with an average of over 10 year of expertise in the distribution of electronic components. Based in Hongkong, we have already established firm and mutual-benefit business relationships with customers from,Europe,America and south Asia,supplying obsolete and hard-to-find components to meet their specific needs.

With the principle of “Quality Parts,Customers Priority,Honest Operation,and Considerate Service”,our business mainly focus on the distribution of electronic components. Line cards we deal with include Microchip,ALPS,ROHM,Xilinx,Pulse,ON,Everlight and Freescale. Main products comprise IC,Modules,Potentiometer,IC Socket,Relay,Connector.Our parts cover such applications as commercial,industrial, and automotives areas.

We are looking forward to setting up business relationship with you and hope to provide you with the best service and solution. Let us make a better world for our industry!



Contact us

Tel: +86-755-8981 8866 Fax: +86-755-8427 6832

Email & Skype: info@chipsmall.com Web: www.chipsmall.com

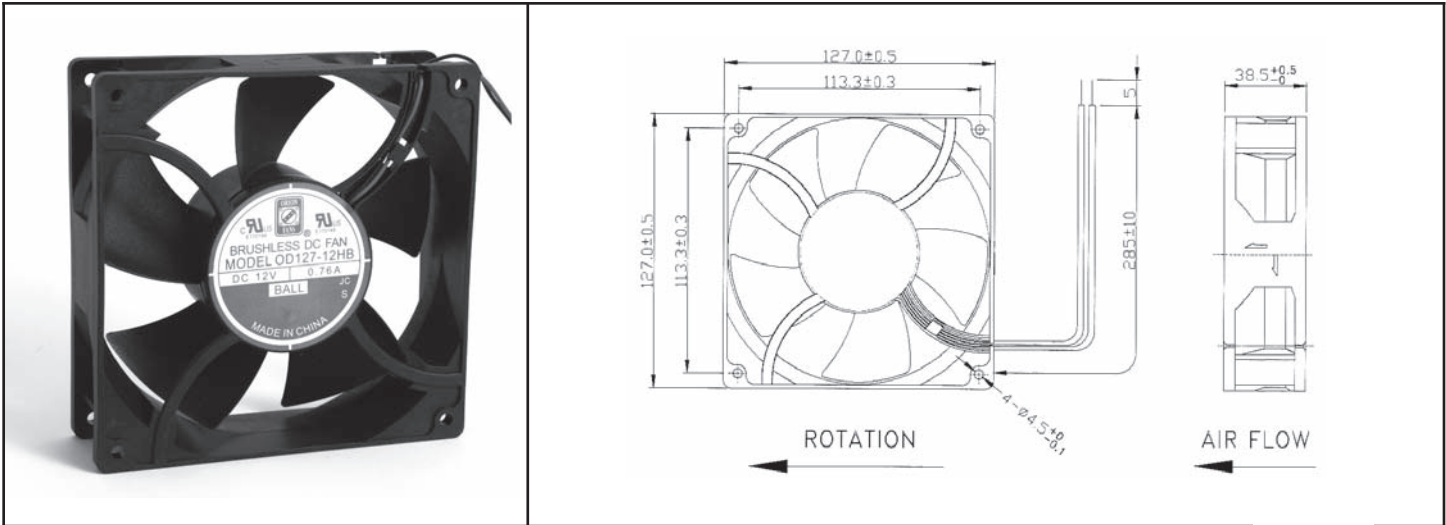
Address: A1208, Overseas Decoration Building, #122 Zhenhua RD., Futian, Shenzhen, China



OD127 Series



DC Fan - 12, 24, 48V
127x38.5mm (5.0"x 1.5")



Frame & Impeller	PBT, UL94V-O plastic	Available Options: Tachometer (FG) Alarm (RD) Thermal Speed Control (Thermistor) PWM Input Life Expectancy (L10) Ball - 60,000 hrs (45C) Operating Temperature Ball: -20 ~ 75C	
Connection	2x Lead wires		
Motor	Brushless DC, auto restart, polarity protected		
Bearing System	Dual Ball bearing		
Insulation Resistance	10M ohm between leadwire and frame (500VDC)		
Dielectric Strength	1 second at 500 VAC, max leakage - 500 MicroAmp		
Storage Temperature	-30C ~ +90C		

Model Number	Speed (RPM)	Airflow (CFM)	Noise (dB)	Volts DC	Voltage Range	Amps	Max. Static Pressure (\"H2O)
OD127-12HHB	4100	226	62	12	8~14	2.3	0.55
OD127-12HB	3500	193	56	12	8~14	1.2	0.46
OD127-12MB	2950	161	53	12	8~14	0.78	0.35
OD127-24HB XC	4500	242	65	24	11~28	1.3	0.63
OD127-24HHB	4100	226	62	24	11~28	1.1	0.55
OD127-24HB	3500	193	56	24	11~28	0.61	0.46
OD127-24MB	2950	161	53	24	11~28	0.41	0.35
OD127-48HB XC	4500	242	65	48	22~55	0.70	0.63
OD127-48HHB	4100	226	62	48	22~55	0.55	0.55
OD127-48HB	3500	193	56	48	22~55	0.34	0.46
OD127-48MB	2950	161	53	48	22~55	0.23	0.35
OD127-48LB	2500	133	30	48	22~55	0.17	0.23
OD127-48LLB	2000	107	41	48	22~55	0.12	0.16