



Chipsmall Limited consists of a professional team with an average of over 10 year of expertise in the distribution of electronic components. Based in Hongkong, we have already established firm and mutual-benefit business relationships with customers from,Europe,America and south Asia,supplying obsolete and hard-to-find components to meet their specific needs.

With the principle of “Quality Parts,Customers Priority,Honest Operation,and Considerate Service”,our business mainly focus on the distribution of electronic components. Line cards we deal with include Microchip,ALPS,ROHM,Xilinx,Pulse,ON,Everlight and Freescale. Main products comprise IC,Modules,Potentiometer,IC Socket,Relay,Connector.Our parts cover such applications as commercial,industrial, and automotives areas.

We are looking forward to setting up business relationship with you and hope to provide you with the best service and solution. Let us make a better world for our industry!



## Contact us

Tel: +86-755-8981 8866 Fax: +86-755-8427 6832

Email & Skype: info@chipsmall.com Web: www.chipsmall.com

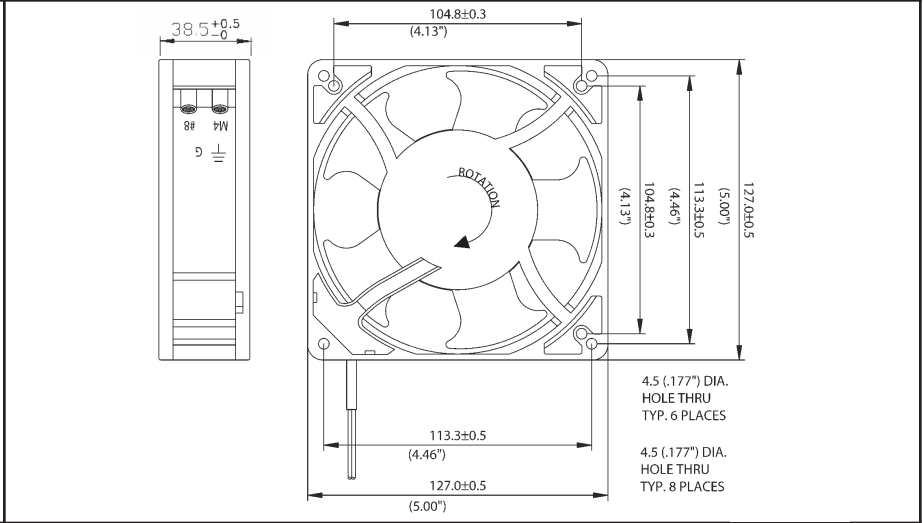
Address: A1208, Overseas Decoration Building, #122 Zhenhua RD., Futian, Shenzhen, China



# OD127AP Series



DC Fan - Aluminum Frame 12, 24, 48V  
127x38.5mm (5.0"x 1.5")



Frame	Diecast Aluminum	<b>Available Options:</b> Tachometer (FG) Alarm (RD) Thermal Speed Control PWM Input Sleeve bearing  <u>Life Expectancy (L10)</u> Ball - 60,000 hrs (45C)  <u>Operating Temperature</u> Ball: -20 ~ +75C  Weight: ~0.93 lbs  m0	
Impeller	PBT, UL94V-0 plastic		
Connection	2x Lead wires or terminals		
Motor	Brushless DC, auto restart, polarity protected		
Bearing System	Dual Ball bearing		
Insulation Resistance	10M ohm between leadwire and frame (500VDC)		
Dielectric Strength	1 minute at 500 VAC, max leakage < 500 MicroAmp		
Storage Temperature	-40C ~ +80C		

Model Number	Speed (RPM)	Airflow (CFM)	Noise (dB)	Volts DC	Voltage Range	Amps	Max. Static Pressure ("H <sub>2</sub> O)
OD127AP-12HB	3200	140	46	12	9~13.8	0.88	0.41
OD127AP-12MB	2600	108	38	12	9~13.8	0.50	0.33
OD127AP-12LB	1900	86	30	12	9~13.8	0.20	0.23
OD127AP-24HB	3000	140	46	24	12~27.6	0.43	0.41
OD127AP-24MB	2600	108	38	24	12~27.6	0.23	0.33
OD127AP-24LB	1900	86	30	24	12~27.6	0.15	0.23
OD127AP-48HB	3200	140	46	48	26~56	0.22	0.41
OD127AP-48MB	2600	108	38	48	26~58	0.10	0.33
OD127AP-48LB	1900	86	30	48	26~60	0.07	0.23