



Chipsmall Limited consists of a professional team with an average of over 10 year of expertise in the distribution of electronic components. Based in Hongkong, we have already established firm and mutual-benefit business relationships with customers from,Europe,America and south Asia,supplying obsolete and hard-to-find components to meet their specific needs.

With the principle of "Quality Parts,Customers Priority,Honest Operation,and Considerate Service",our business mainly focus on the distribution of electronic components. Line cards we deal with include Microchip,ALPS,ROHM,Xilinx,Pulse,ON,Everlight and Freescale. Main products comprise IC,Modules,Potentiometer,IC Socket,Relay,Connector.Our parts cover such applications as commercial,industrial, and automotives areas.

We are looking forward to setting up business relationship with you and hope to provide you with the best service and solution. Let us make a better world for our industry!



Contact us

Tel: +86-755-8981 8866 Fax: +86-755-8427 6832

Email & Skype: info@chipsmall.com Web: www.chipsmall.com

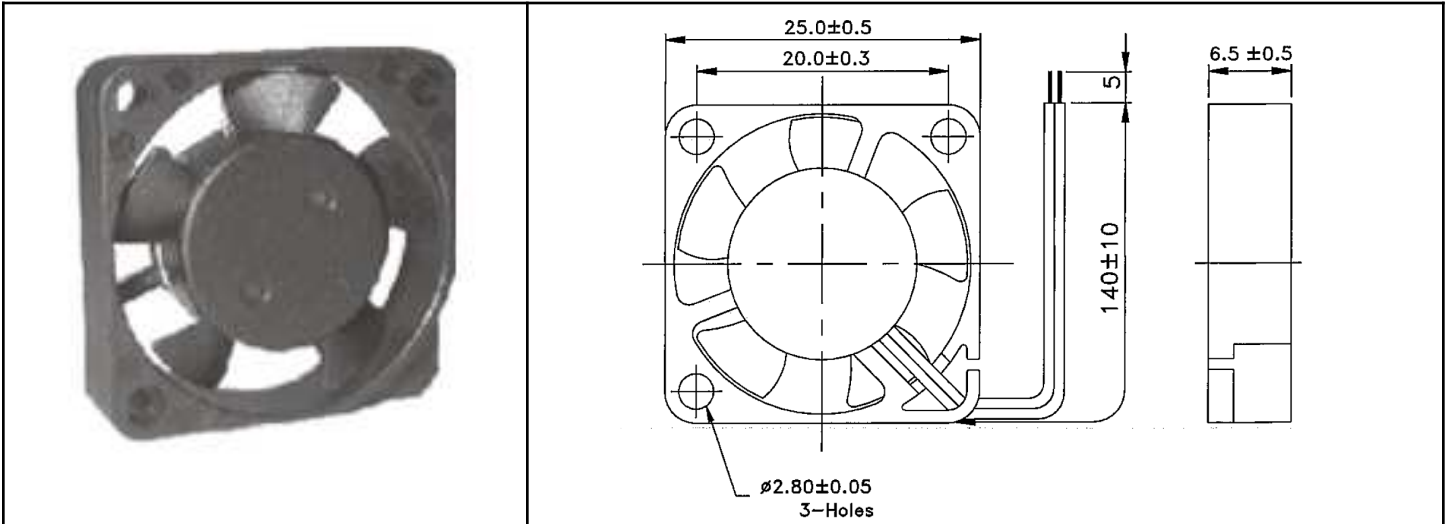
Address: A1208, Overseas Decoration Building, #122 Zhenhua RD., Futian, Shenzhen, China



OD2506 Series



DC Fan - 5, 12V
25x6.5mm (1.0"x 0.26")



Frame & Impeller	PBT, UL94V-O plastic	Available Options: Tachometer (Frequency Generator) White Lead Alarm (Rotation Detector) Yellow Lead Life Expectancy (L10) 65000 hrs Operating Temperature -20 ~ 70C	
Connection	2x Lead wires 28AWG		
Motor	Brushless DC, auto restart, polarity protected		
Bearing System	Ball or Sealed Sleeve		
Insulation Resistance	10M ohm between leadwire and frame (500VDC)		
Dielectric Strength	1 second at 500 VAC, max leakage - 500 MicroAmp		
Storage Temperature	-30C ~ +90C		

Model Number	Speed (RPM)	Airflow (CFM)	Noise (dB)	Volts DC	Voltage Range (VDC)	Amps	Max. Static Pressure ("H2O)
OD2506-05H *	14000	2.4	31	5	3.5 ~ 6	0.15	0.19
OD2506-05M *	12000	2.1	28	5	3.5 ~ 6	0.13	0.16
OD2506-05L *	9000	1.8	20	5	3.5 ~ 6	0.08	0.10
OD2506-05LL *	7000	1.2	13	5	3.5 ~ 6	0.08	0.05
OD2506-12H *	14000	2.4	31	12	6.0 ~ 16	0.09	0.19
OD2506-12M *	12000	2.1	28	12	6.0 ~ 16	0.06	0.16

* Indicate "B" for ball / sleeve bearing or "SS" for sleeve bearing