



Chipsmall Limited consists of a professional team with an average of over 10 year of expertise in the distribution of electronic components. Based in Hongkong, we have already established firm and mutual-benefit business relationships with customers from,Europe,America and south Asia,supplying obsolete and hard-to-find components to meet their specific needs.

With the principle of "Quality Parts,Customers Priority,Honest Operation,and Considerate Service",our business mainly focus on the distribution of electronic components. Line cards we deal with include Microchip,ALPS,ROHM,Xilinx,Pulse,ON,Everlight and Freescale. Main products comprise IC,Modules,Potentiometer,IC Socket,Relay,Connector.Our parts cover such applications as commercial,industrial, and automotives areas.

We are looking forward to setting up business relationship with you and hope to provide you with the best service and solution. Let us make a better world for our industry!



## Contact us

Tel: +86-755-8981 8866 Fax: +86-755-8427 6832

Email & Skype: info@chipsmall.com Web: www.chipsmall.com

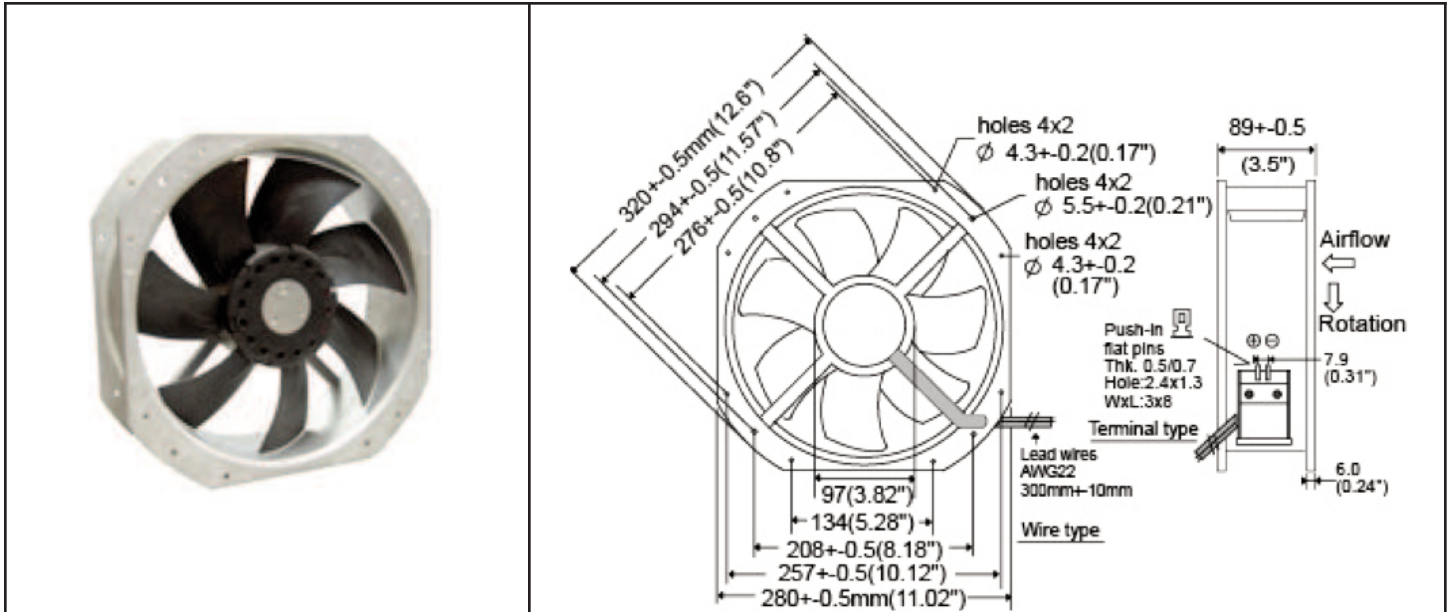
Address: A1208, Overseas Decoration Building, #122 Zhenhua RD., Futian, Shenzhen, China



# OD280 Series



DC Fan - 12, 24, 48V  
280x89mm (11.0"x 3.5")



Frame	Diecast Aluminum	<b>Available Options:</b> PWM Tachometer Alarm Thermistor  <b>Operating Temperature</b> Ball Bearing -15C ~ +65C  <b>Life Expectancy</b> Ball Bearing 85,000 hours (L10 at 35C)  Weight: ~6.8 lbs.	
Impeller	Glass Fiber reinforced thermoplastic.		
Connection	Terminals or lead wires		
Motor	Programmable microprocessor control Brushless DC, Locked rotor and polarity protected.		
Bearing System	Dual ball		
Storage Temperature	-25 ~ +80C		
Dielectric Strength	1 minute at 500 VAC, max leakage < 500 MicroAmp		

Model Number	Speed (RPM)	Airflow (CFM)	Noise (dB)	Volts DC	Voltage Range	Watts	Max. Static Pressure (\"H <sub>2</sub> O)
OD280-12M*	2200	1060	56	12	9 ~ 13.5	90	0.65
OD280-12L*	1800	870	48	12	9 ~ 13.5	50	0.55
OD280-24H*	2550	1200	72	24	18 ~ 27	104	0.90
OD280-24M*	2200	1060	56	24	18 ~ 27	60	0.65
OD280-24L*	1800	870	48	24	18 ~ 27	27	0.55
OD280-48H*	2550	1200	72	48	24 ~ 55	104	0.90
OD280-48M*	2200	1060	56	48	24 ~ 55	60	0.65
OD280-48L*	1800	870	48	48	24 ~ 55	27	0.55

\* Indicate "B" for Wire leads or "TB" for Terminals