



Chipsmall Limited consists of a professional team with an average of over 10 year of expertise in the distribution of electronic components. Based in Hongkong, we have already established firm and mutual-benefit business relationships with customers from,Europe,America and south Asia,supplying obsolete and hard-to-find components to meet their specific needs.

With the principle of “Quality Parts,Customers Priority,Honest Operation,and Considerate Service”,our business mainly focus on the distribution of electronic components. Line cards we deal with include Microchip,ALPS,ROHM,Xilinx,Pulse,ON,Everlight and Freescale. Main products comprise IC,Modules,Potentiometer,IC Socket,Relay,Connector.Our parts cover such applications as commercial,industrial, and automotives areas.

We are looking forward to setting up business relationship with you and hope to provide you with the best service and solution. Let us make a better world for our industry!



Contact us

Tel: +86-755-8981 8866 Fax: +86-755-8427 6832

Email & Skype: info@chipsmall.com Web: www.chipsmall.com

Address: A1208, Overseas Decoration Building, #122 Zhenhua RD., Futian, Shenzhen, China





OD3510 Series

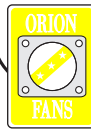
DC Fan - 5V, 12V
35 x 10mm (1.38 x .39in)



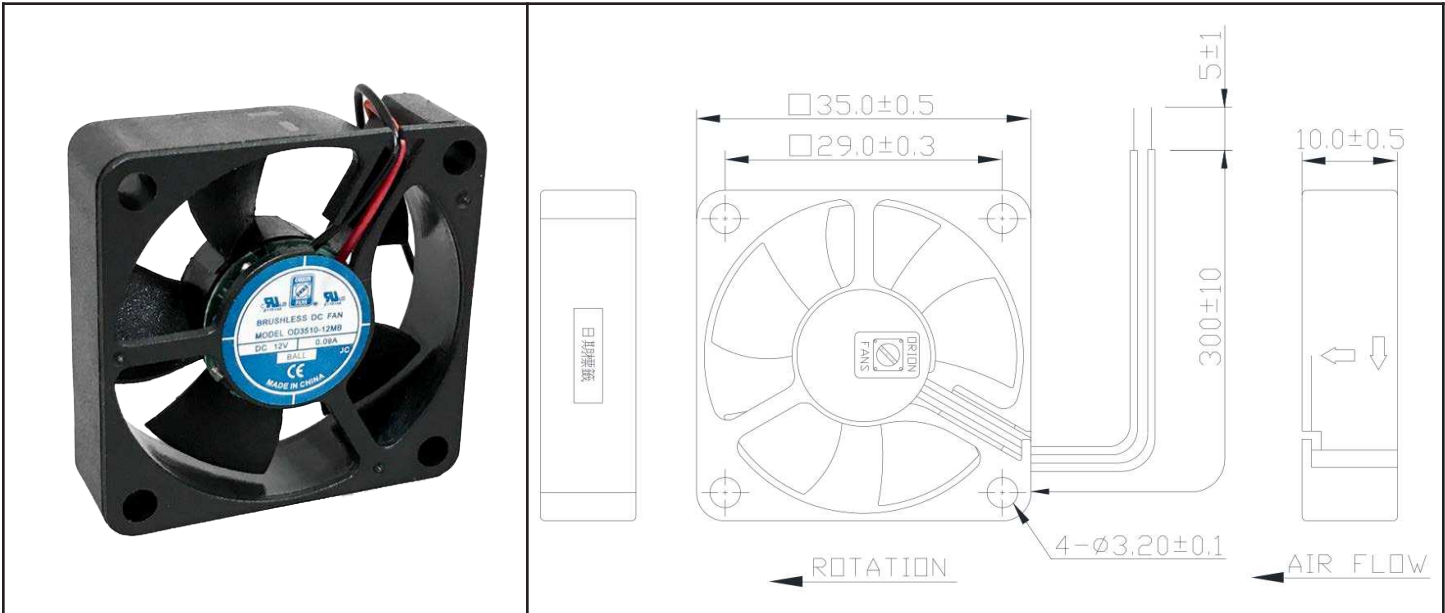
Model #	Pg #	Voltage	RPM	CFM	Noise Level	Max Static Pressure
OD3510-05LLB	2	5 VDC	4500	3.0	17 dB	.05 H ₂ O
OD3510-05MB	3	5 VDC	8000	6.0	32 dB	.17 H ₂ O
OD3510-05MB01A	4	5 VDC	8000	6.0	32 dB	.17 H ₂ O
OD3510-12LLB	5	12 VDC	4500	3.0	17 dB	.05 H ₂ O
OD3510-12MB	6	12 VDC	8000	6.0	32 dB	.17 H ₂ O
OD3510-12MB02A	7	12 VDC	8000	6.0	32 dB	.17 H ₂ O

** For some models and part numbers, minimum order quantities may apply.

OD3510-05LLB



DC Fan, 5 VDC
35x10mm (1.38x.39in)

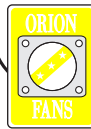


Frame & Impeller	PBT, UL94V-0 plastic	Available Options IP55 Other speeds and voltages Tachometer Alarm *Connection: Wire Leads - UL1571 28AWG Red(+), Black (-) Weight: 9 g	
Connection	2x Lead wires *		
Motor	Brushless DC, auto restart, polarity protected.		
Bearing System	Dual ball bearing		
Insulation Resistance	Min. 10M at 500VDC		
Dielectric Strength	1 second at 500VAC max leakage 500 microamp		
Temperature Range	-10C ~ +70C		
Storage Temperature	-40C ~ +80C		
Life (L10)	70,000 hours (40C)		

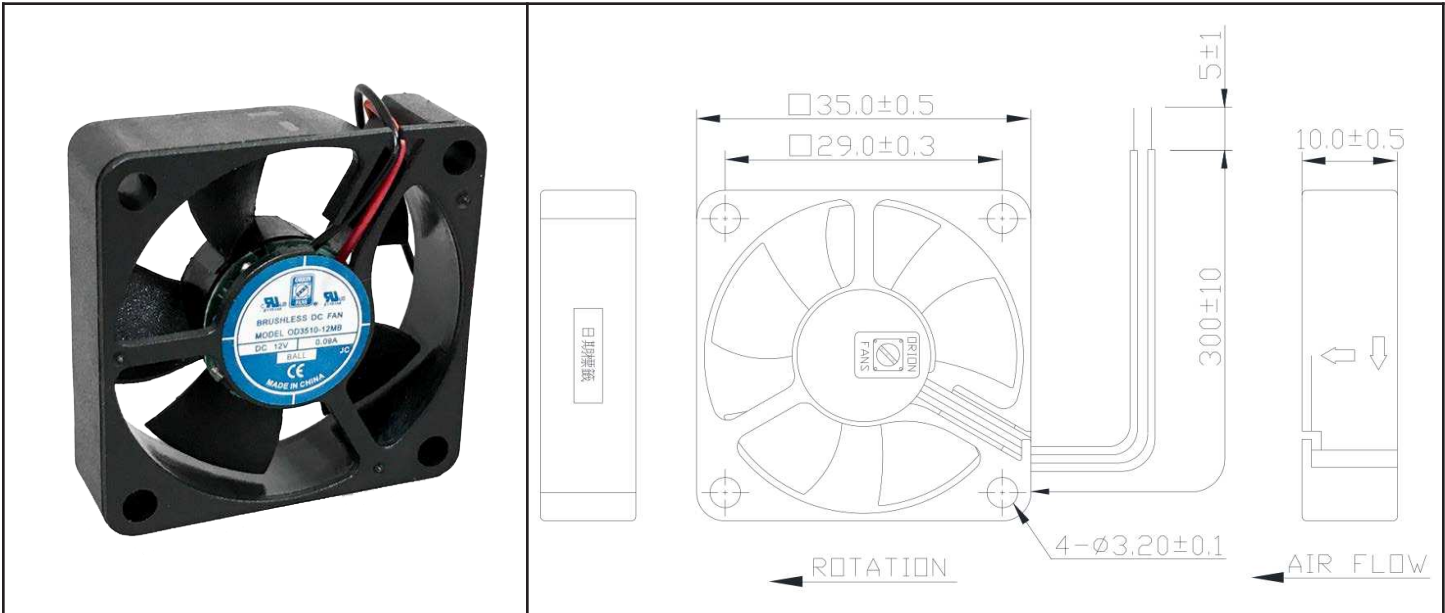
Model Number	OD3510-05LLB
Part Number	135511001
Nominal Voltage	5 VDC
Voltage Range	4 ~ 5.5 VDC
Nominal Current	.06 A
Rated Power	.3 Watts
Rated Speed (RPM)	4500
Airflow (CFM)	3
Noise Level (dB)	17
Max. Static Pressure	.05 "H ₂ O



OD3510-05MB



DC Fan, 5VDC
35x10mm (1.38x.39in)

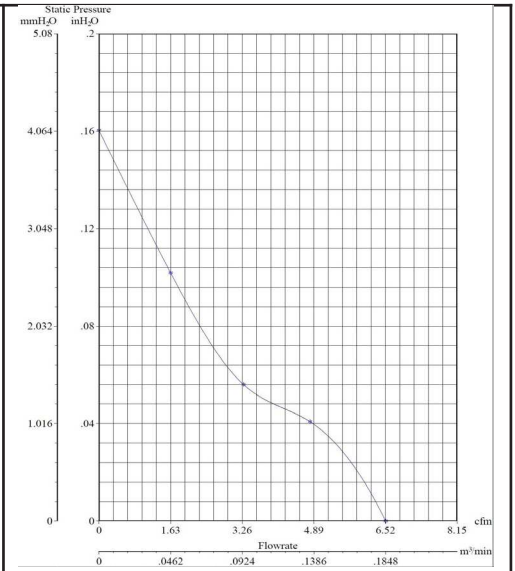


Frame & Impeller	PBT, UL94V-0 plastic
Connection	2x Lead wires *
Motor	Brushless DC, auto restart, polarity protected.
Bearing System	Dual ball bearing
Insulation Resistance	Min. 10M at 500VDC
Dielectric Strength	1 second at 500VAC max leakage 500 microamp
Temperature Range	-10C ~ +70C
Storage Temperature	-40C ~ +80C
Life (L10)	70,000 hours (40C)

Available Options
 IP55
 Other speeds and voltages
 Tachometer Alarm

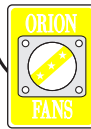
*Connection:
 Wire Leads - UL1571
 28AWG Red(+), Black (-)

Weight: 9 g

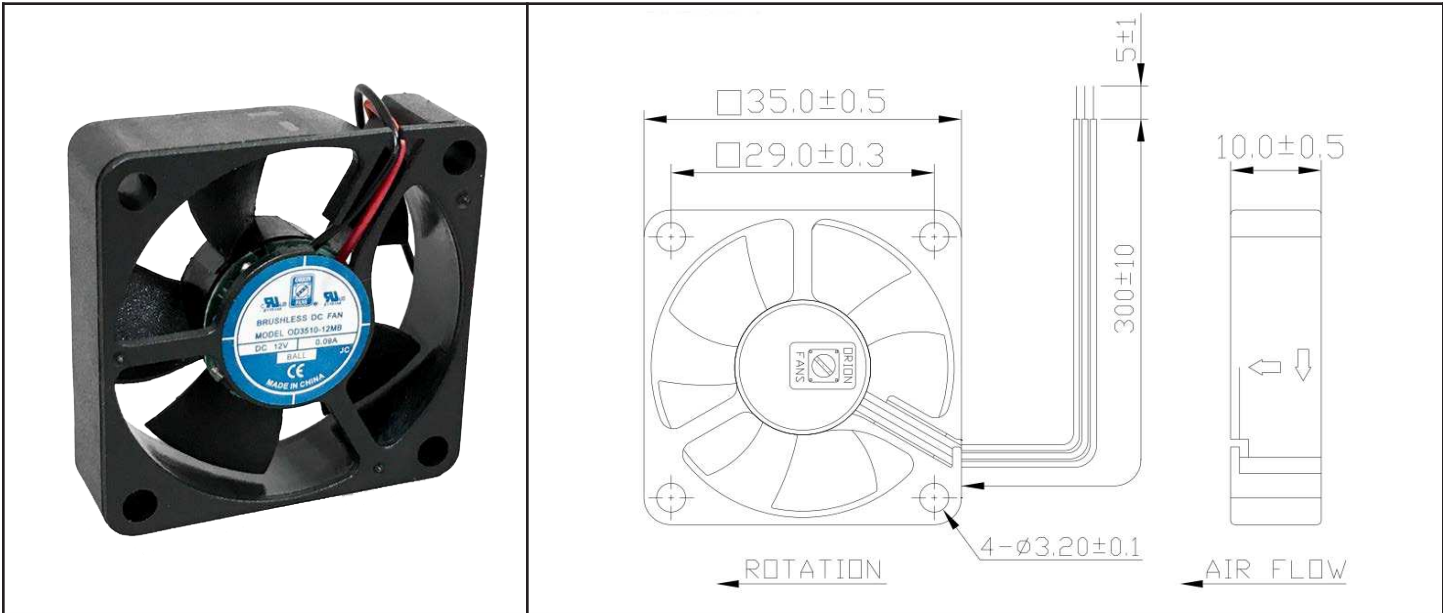


Model Number	OD3510-05MB
Part Number	135531001
Nominal Voltage	5 VDC
Voltage Range	4~5.5 VDC
Nominal Current	.075 A
Rated Power	.65 Watts
Rated Speed (RPM)	8000
Airflow (CFM)	6
Noise Level (dB)	32
Max. Static Pressure	.17 "H ₂ O

OD3510-05MB01A



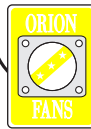
DC Fan, 5VDC
35x10mm (1.38x.39in)



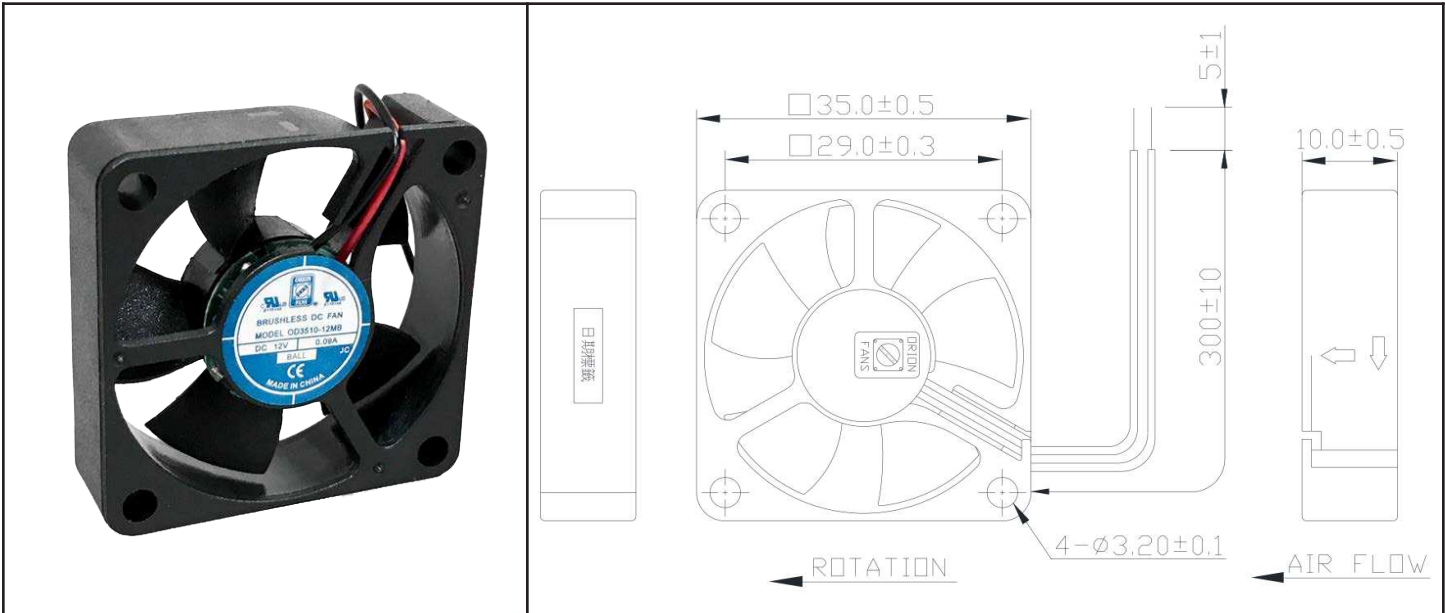
Frame & Impeller	PBT, UL94V-0 plastic	<u>Available Options</u> IP55 Other speeds and voltages Alarm *Connection: Wire Leads - UL1571 28AWG Red(+), Black (-), White Tachometer Weight: 9 g	
Connection	3x Lead wires *		
Motor	Brushless DC, auto restart, polarity protected.		
Bearing System	Dual ball bearing		
Insulation Resistance	Min. 10M at 500VDC		
Dielectric Strength	1 second at 500VAC max leakage 500 microamp		
Temperature Range	-10C ~ +70C		
Storage Temperature	-40C ~ +80C		
Life (L10)	70,000 hours (40C)		

Model Number	OD3510-05MB01A
Part Number	135531221
Nominal Voltage	5 VDC
Voltage Range	4~5.5 VDC
Nominal Current	.075 A
Rated Power	.65 Watts
Rated Speed (RPM)	8000
Airflow (CFM)	6
Noise Level (dB)	32
Max. Static Pressure	.17 "H ₂ O

OD3510-12LLB



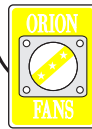
DC Fan, 12VDC
35x10mm (1.38x.39in)



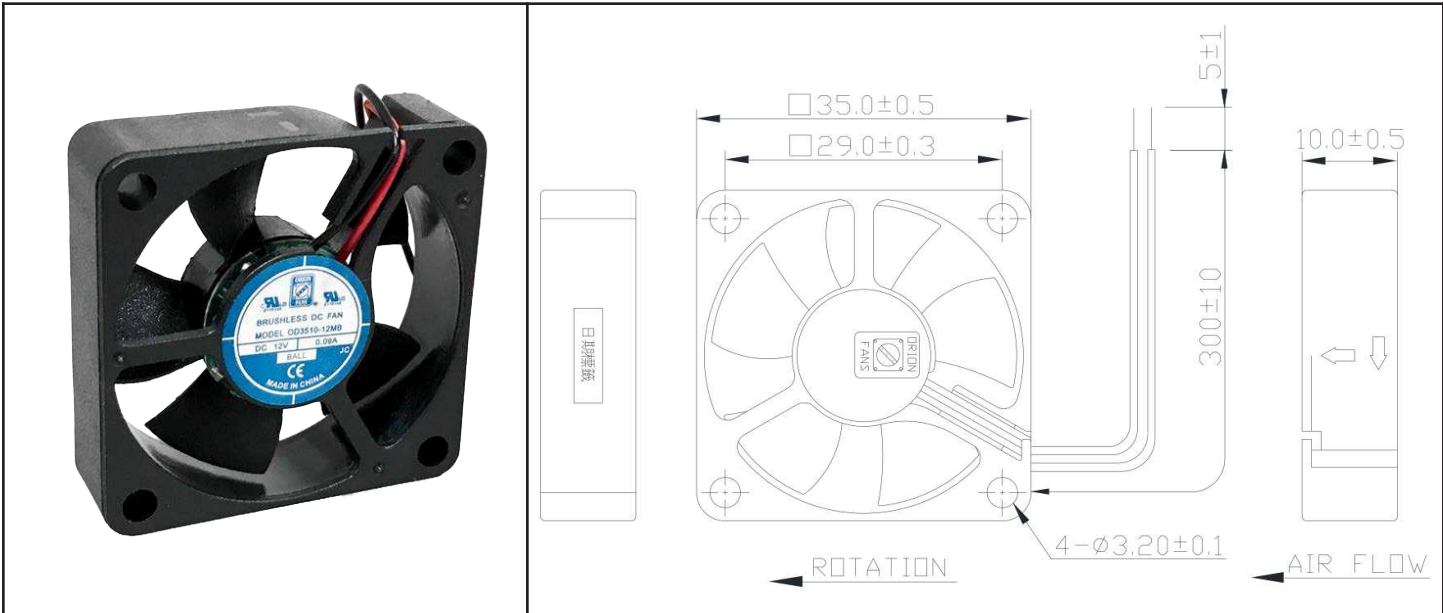
Frame & Impeller	PBT, UL94V-0 plastic	Available Options IP55 Other speeds and voltages Tachometer Alarm *Connection: Wire Leads - UL1571 28AWG Red(+), Black (-) Weight: 9 g	
Connection	2x Lead wires *		
Motor	Brushless DC, auto restart, polarity protected.		
Bearing System	Dual ball bearing		
Insulation Resistance	Min. 10M at 500VDC		
Dielectric Strength	1 second at 500VAC max leakage 500 microamp		
Temperature Range	-10C ~ +70C		
Storage Temperature	-40C ~ +80C		
Life (L10)	70,000 hours (40C)		

Model Number	OD3510-12LLB
Part Number	135111001
Nominal Voltage	12 VDC
Voltage Range	9~13.2 VDC
Nominal Current	.04 A
Rated Power	.60 Watts
Rated Speed (RPM)	4500
Airflow (CFM)	3
Noise Level (dB)	17
Max. Static Pressure	.05 "H ₂ O

OD3510-12MB



DC Fan, 12VDC
35x10mm (1.38x.39in)

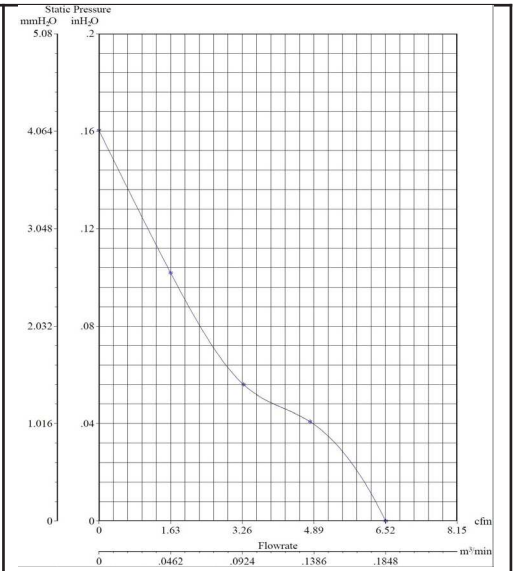


Frame & Impeller	PBT, UL94V-0 plastic
Connection	2x Lead wires *
Motor	Brushless DC, auto restart, polarity protected.
Bearing System	Dual ball bearing
Insulation Resistance	Min. 10M at 500VDC
Dielectric Strength	1 second at 500VAC max leakage 500 microamp
Temperature Range	-10C ~ +70C
Storage Temperature	-40C ~ +80C
Life (L10)	70,000 hours (40C)

Available Options
 IP55
 Other speeds and voltages
 Tachometer Alarm

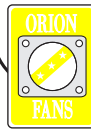
*Connection:
 Wire Leads - UL1571
 28AWG Red(+), Black (-)

Weight: 9 g

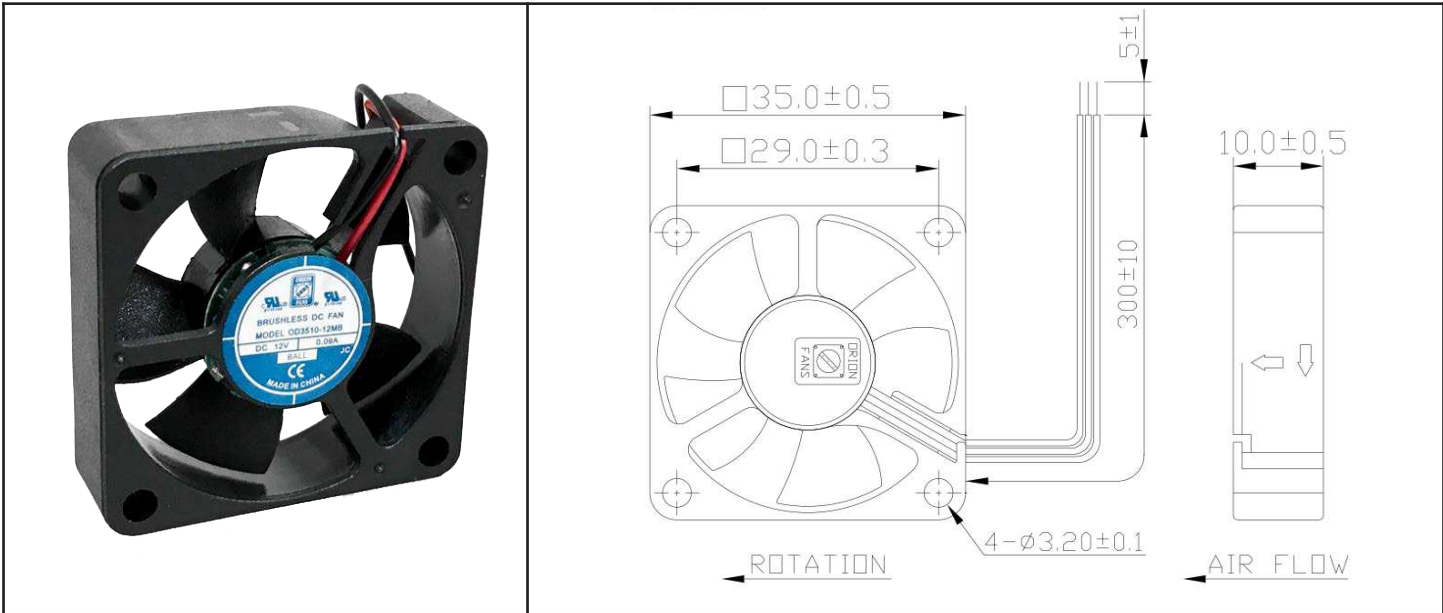


Model Number	OD3510-12MB
Part Number	135131001
Nominal Voltage	12 VDC
Voltage Range	9~13.2 VDC
Nominal Current	.06 A
Rated Power	1.08 Watts
Rated Speed (RPM)	8000
Airflow (CFM)	6
Noise Level (dB)	32
Max. Static Pressure	.17 "H ₂ O

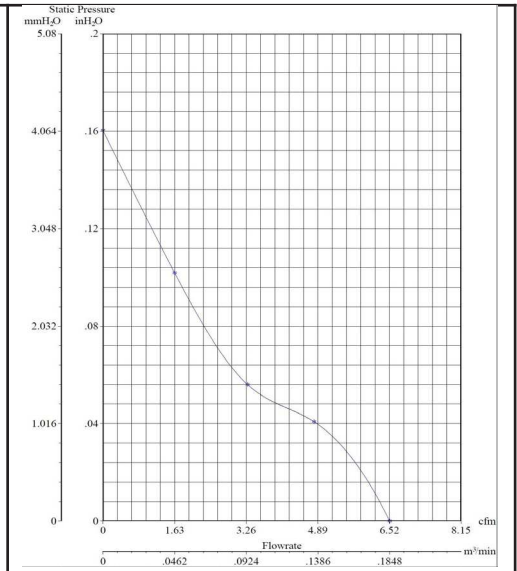
OD3510-12MB02A



DC Fan, 12VDC
35x10mm (1.38x.39in)



Frame & Impeller	PBT, UL94V-0 plastic	Available Options IP55 Other speeds and voltages Tachometer *Connection: Wire Leads - UL1571 28AWG Red(+), Black (-), Yellow Alarm Weight: 9 g
Connection	3x Lead wires *	
Motor	Brushless DC, auto restart, polarity protected.	
Bearing System	Dual ball bearing	
Insulation Resistance	Min. 10M at 500VDC	
Dielectric Strength	1 second at 500VAC max leakage 500 microamp	
Temperature Range	-10C ~ +70C	
Storage Temperature	-40C ~ +80C	
Life (L10)	70,000 hours (40C)	



Model Number	OD3510-12MB02A
Part Number	135131231
Nominal Voltage	12 VDC
Voltage Range	9~13.2 VDC
Nominal Current	.065 A
Rated Power	1.56 Watts
Rated Speed (RPM)	8000
Airflow (CFM)	6
Noise Level (dB)	32
Max. Static Pressure	.17 "H ₂ O

