



Chipsmall Limited consists of a professional team with an average of over 10 year of expertise in the distribution of electronic components. Based in Hongkong, we have already established firm and mutual-benefit business relationships with customers from,Europe,America and south Asia,supplying obsolete and hard-to-find components to meet their specific needs.

With the principle of “Quality Parts,Customers Priority,Honest Operation,and Considerate Service”,our business mainly focus on the distribution of electronic components. Line cards we deal with include Microchip,ALPS,ROHM,Xilinx,Pulse,ON,Everlight and Freescale. Main products comprise IC,Modules,Potentiometer,IC Socket,Relay,Connector.Our parts cover such applications as commercial,industrial, and automotives areas.

We are looking forward to setting up business relationship with you and hope to provide you with the best service and solution. Let us make a better world for our industry!



## Contact us

Tel: +86-755-8981 8866 Fax: +86-755-8427 6832

Email & Skype: info@chipsmall.com Web: www.chipsmall.com

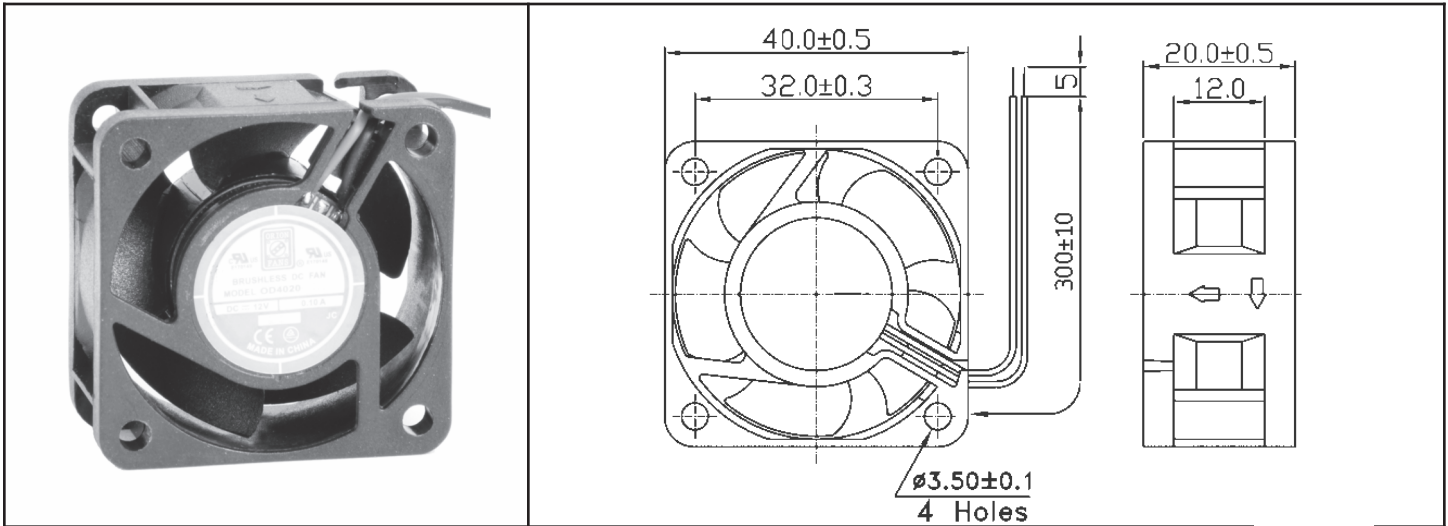
Address: A1208, Overseas Decoration Building, #122 Zhenhua RD., Futian, Shenzhen, China



# OD4020 Series



DC Fan - 5, 12, 24V  
40x20mm (1.58"x 0.79")



<b>Frame &amp; Impeller</b>	PBT, UL94V-0 plastic	<b>Available Options:</b> Sleeve Bearing Sealed Sleeve Bearing Tachometer Alarm Life Expectancy (L10) Ball - 60,000 hrs (45C) Sleeve - 30,000 hrs (45C) Operating Temperature Ball: -10C ~ 70C  Weight: ~0.06 lbs.  m1	
<b>Connection</b>	2x Lead wires 26AWG		
<b>Motor</b>	Brushless DC, auto restart, impedance and polarity protected		
<b>Bearing System</b>	Ball bearing		
<b>Insulation Resistance</b>	10M ohm between leadwire and frame (500VDC)		
<b>Dielectric Strength</b>	1 minute at 500 VAC, max leakage < 500 MicroAmp		
<b>Storage Temperature</b>	-40C ~ +80C		

Model Number	Speed (RPM)	Airflow (CFM)	Noise (dB)	Volts DC	Voltage Range (VDC)	Amps	Max. Static Pressure ("H <sub>2</sub> O)
OD4020-05HB	7800	9	36	5	4 ~ 7	0.29	0.30
OD4020-05MB	6900	8	33	5	4 ~ 7	0.16	0.24
OD4020-05LB	6200	7	30	5	4 ~ 7	0.14	0.19
OD4020-12HB	7800	9	36	12	7 ~ 14	0.10	0.30
OD4020-12MB	6900	8	33	12	7 ~ 14	0.08	0.24
OD4020-12LB	6200	7	30	12	7 ~ 14	0.07	0.19
OD4020-24HB	7800	9	36	24	10 ~ 27	0.09	0.30
OD4020-24MB	6900	8	33	24	10 ~ 27	0.07	0.24
OD4020-24LB	6200	7	30	24	10 ~ 27	0.06	0.19

To indicate sleeve bearing replace "B" suffix with "S" in part number (30,000 hrs life expectancy)  
 To indicate sealed sleeve bearing replace "B" with "SS" in part number (50,000 hrs life expectancy)