



Chipsmall Limited consists of a professional team with an average of over 10 year of expertise in the distribution of electronic components. Based in Hongkong, we have already established firm and mutual-benefit business relationships with customers from,Europe,America and south Asia,supplying obsolete and hard-to-find components to meet their specific needs.

With the principle of “Quality Parts,Customers Priority,Honest Operation,and Considerate Service”,our business mainly focus on the distribution of electronic components. Line cards we deal with include Microchip,ALPS,ROHM,Xilinx,Pulse,ON,Everlight and Freescale. Main products comprise IC,Modules,Potentiometer,IC Socket,Relay,Connector.Our parts cover such applications as commercial,industrial, and automotives areas.

We are looking forward to setting up business relationship with you and hope to provide you with the best service and solution. Let us make a better world for our industry!



Contact us

Tel: +86-755-8981 8866 Fax: +86-755-8427 6832

Email & Skype: info@chipsmall.com Web: www.chipsmall.com

Address: A1208, Overseas Decoration Building, #122 Zhenhua RD., Futian, Shenzhen, China





OD5010 Series

DC Fan - 5V, 12V, 24V
50 x 10mm (1.97 x .39in)



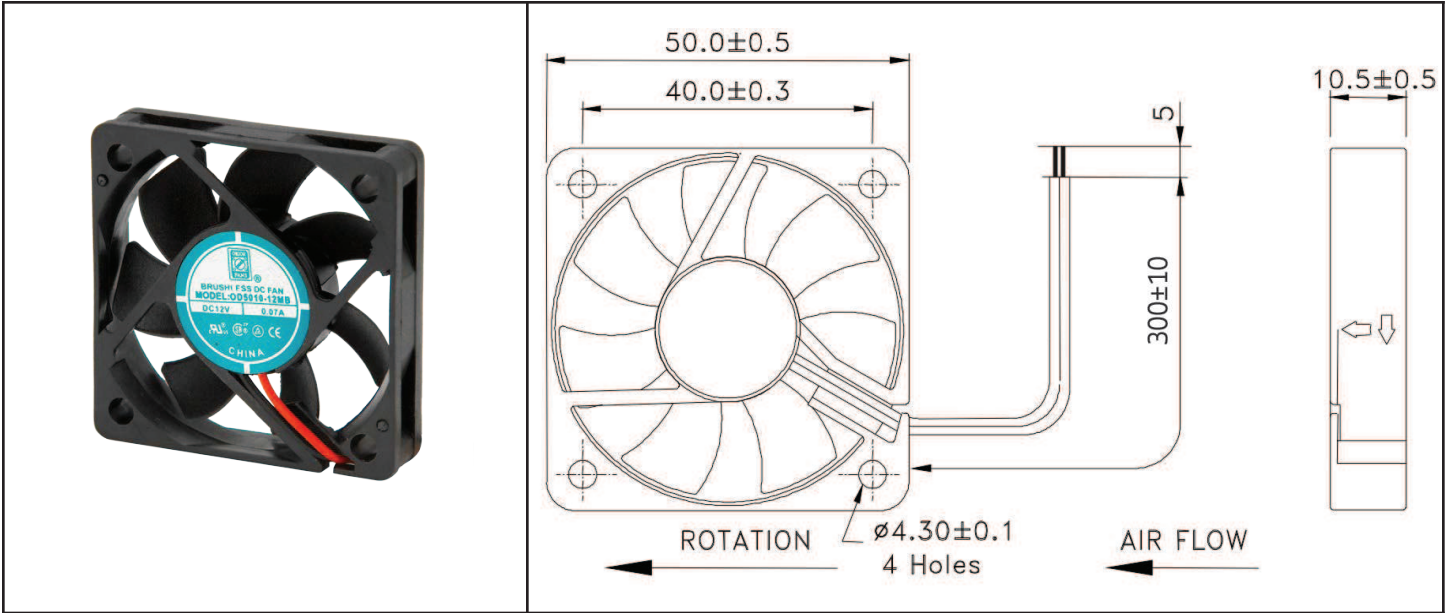
Model #	Pg #	Voltage	RPM	CFM	Noise Level	Max Static Pressure
OD5010-05H	2	5 VDC	5200	11	28 dB	.12 H ₂ O
OD5010-05M	2	5 VDC	4600	10	25 dB	.10 H ₂ O
OD5010-05L	2	5 VDC	3900	9	20 dB	.06 H ₂ O
OD5010-12H	2	12 VDC	5200	11	28 dB	.12 H ₂ O
OD5010-12M	2	12 VDC	4600	10	25 dB	.10 H ₂ O
OD5010-12L	2	12 VDC	3900	9	20 dB	.06 H ₂ O
OD5010-24H	2	24 VDC	5200	11	28 dB	.12 H ₂ O
OD5010-24M	2	24 VDC	4600	10	25 dB	.10 H ₂ O
OD5010-24L	2	24 VDC	3900	9	20 dB	.06 H ₂ O
OD5010-05MB02A	3	5 VDC	4600	10	25 dB	.10 H ₂ O
OD5010-12MB02A	4	12 VDC	4600	10	25 dB	.10 H ₂ O

** For some models and part numbers, minimum order quantities may apply.

OD5010 Series



DC Fan - 5, 12, 24V
50x10mm (1.97"x 0.39")



Frame & Impeller	PBT, UL94V-O plastic	Available Options: Tachometer Alarm Life Expectancy (L10) 60,000 hrs Ball 50,000 hrs Sealed Sleeve 30,000 hrs Sleeve Operating Temperature -10C ~ 70C	
Connection	2x Lead wires (~290mm) 26AWG		
Motor	Brushless DC, auto restart, polarity protected		
Bearing System	Dual Ball, sleeve, or sealed sleeve		
Insulation Resistance	10M ohm between leadwire and frame (500VDC)		
Dielectric Strength	1 second at 500 VAC, max leakage < 500 MicroAmp		

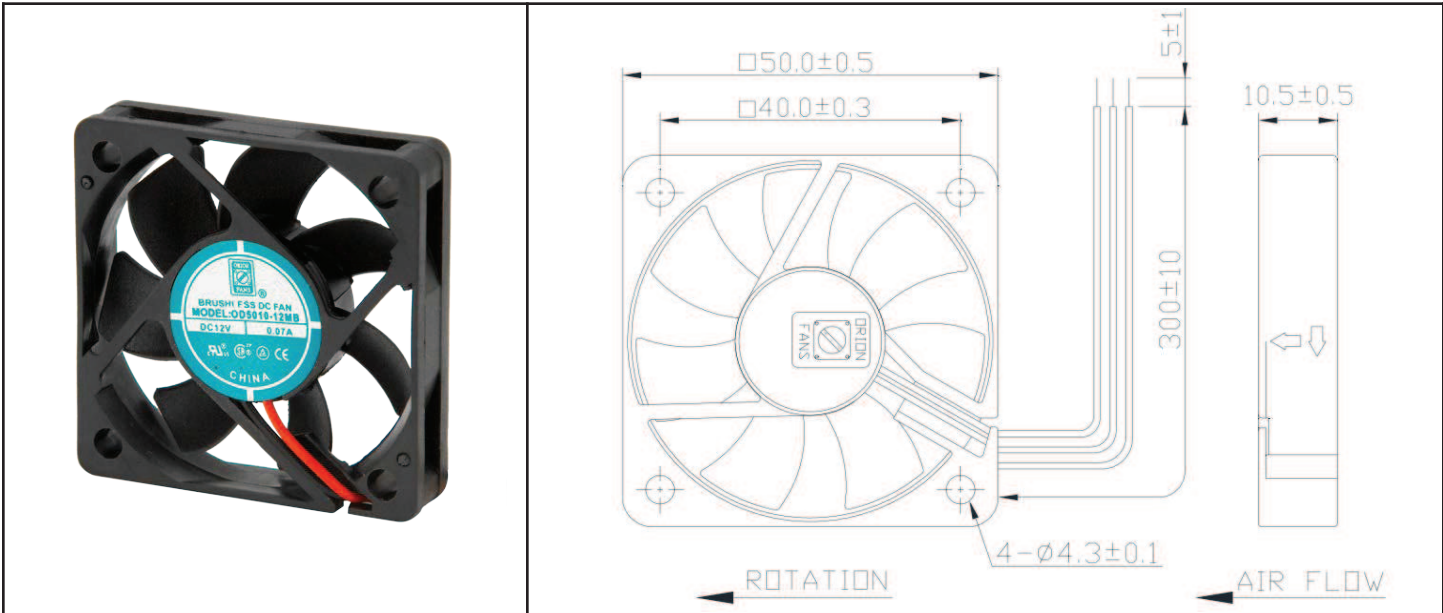
Model Number	Speed (RPM)	Airflow (CFM)	Noise (dB)	Volts DC	Input Power (Watts)	Amps	Max. Static Pressure ("H2O)
OD5010-05H *	5200	11	28	5	1.15	0.23	0.12
OD5010-05M *	4600	10	25	5	0.75	0.15	0.10
OD5010-05L *	3900	9	20	5	0.45	0.10	0.06
OD5010-12H *	5200	11	28	12	1.44	0.12	0.12
OD5010-12M *	4600	10	25	12	1.08	0.09	0.10
OD5010-12L *	3900	9	20	12	0.96	0.08	0.06
OD5010-24H *	5200	11	28	24	1.92	0.08	0.12
OD5010-24M *	4600	10	25	24	1.44	0.06	0.10
OD5010-24L *	3900	9	20	24	1.20	0.05	0.06

* Indicate "B" for ball bearing, "S" for sleeve bearing, or "SS" for sealed sleeve

OD5010-05MB02A



DC Fan, 5VDC
50x10mm (1.97x.39in)



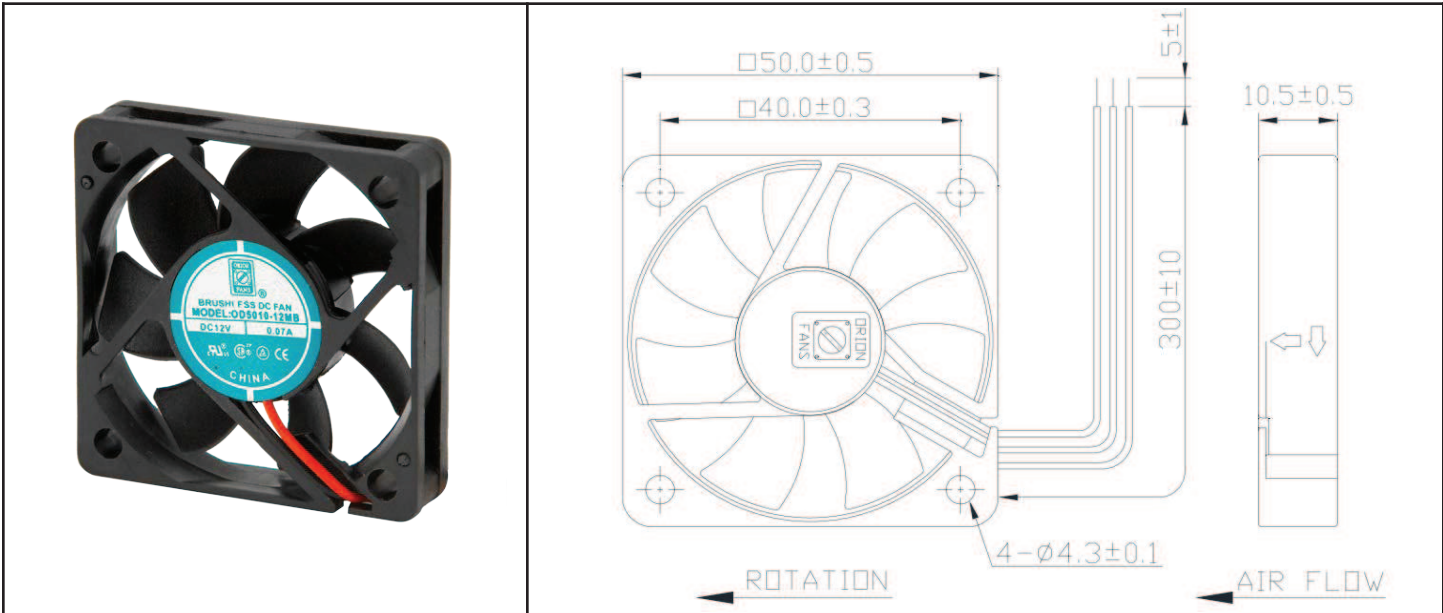
Frame & Impeller	PBT, UL94V-0 plastic	Available Options IP55 Other speeds and voltages Tachometer *Connection: Wire Leads - UL1007 26AWG Red(+), Black (-), Yellow Alarm Weight: 18 g	
Connection	3x Lead wires *		
Motor	Brushless DC, auto restart, polarity protected.		
Bearing System	Dual ball bearing		
Insulation Resistance	Min. 10M at 500VDC		
Dielectric Strength	1 second at 500VAC max leakage 500 microamp		
Temperature Range	-10C ~ 70C		
Storage Temperature	-40C ~ +80C		
Life (L10)	60,000 hours (40C)		

Model Number	OD5010-05MB02A	Output of locked signal *Output type.....Open collector type *Electrical design suggestion: (External signal function design is decided by customer) *Transistor Q1 at "ON" position Collector current..... $I_c=10\text{mA Max}$ Saturation Voltage..... $V_{ce}=1.0\text{V Max}$ (Between Collector and Emitter at $I_c=10\text{mA}$) *Transistor Q1 at "OFF" position Release Voltage..... $V_{ce}=5.5\text{V Max}$ *Output waveform
Part Number	150531231	
Nominal Voltage	5 VDC	
Voltage Range	4 ~ 5.5 VDC	
Nominal Current	.15 A	
Rated Power	.75 Watts	
Rated Speed (RPM)	4600	
Airflow (CFM)	10	
Noise Level (dB)	25	
Max. Static Pressure	.10 "H ₂ O	

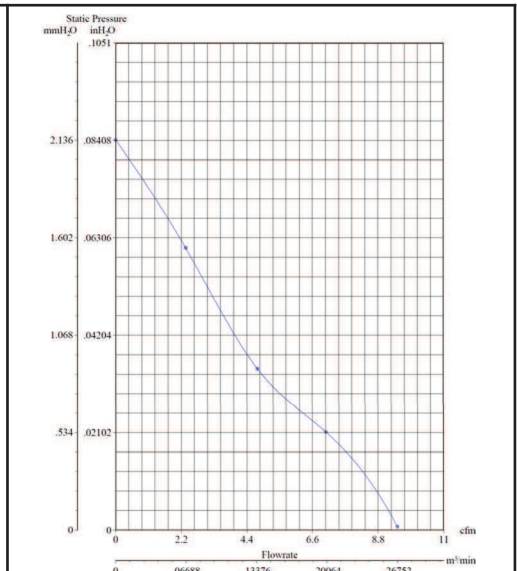
OD5010-12MB02A



DC Fan, 12VDC
50x10mm (1.97x.39in)



Frame & Impeller	PBT, UL94V-0 plastic	Available Options IP55 Other speeds and voltages Tachometer *Connection: Wire Leads - UL1007 26AWG Red(+), Black (-), Yellow Alarm Weight: 18 g
Connection	3x Lead wires *	
Motor	Brushless DC, auto restart, polarity protected.	
Bearing System	Dual ball bearing	
Insulation Resistance	Min. 10M at 500VDC	
Dielectric Strength	1 second at 500VAC max leakage 500 microamp	
Temperature Range	-10C ~ 70C	
Storage Temperature	-40C ~ +80C	
Life (L10)	60,000 hours (40C)	



Model Number	OD5010-12MB02A
Part Number	150131231
Nominal Voltage	12 VDC
Voltage Range	9 ~ 13.2 VDC
Nominal Current	.09 A
Rated Power	1.08 Watts
Rated Speed (RPM)	4600
Airflow (CFM)	10
Noise Level (dB)	25
Max. Static Pressure	.10 "H ₂ O

Output of locked signal
 *Output type.....Open collector type
 *Electrical design suggestion:
 (External signal function design is decided by customer)

*Transistor Q1 at "ON" position
 Collector current.....I_c=5mA Max
 Saturation Voltage.....V_{ce}=1.0V Max
 (Between Collector and Emitter at I_c=5mA)
 *Transistor Q1 at "OFF" position
 Release Voltage.....V_{ce}=15V Max

*Output waveform