



Chipsmall Limited consists of a professional team with an average of over 10 year of expertise in the distribution of electronic components. Based in Hongkong, we have already established firm and mutual-benefit business relationships with customers from,Europe,America and south Asia,supplying obsolete and hard-to-find components to meet their specific needs.

With the principle of “Quality Parts,Customers Priority,Honest Operation,and Considerate Service”,our business mainly focus on the distribution of electronic components. Line cards we deal with include Microchip,ALPS,ROHM,Xilinx,Pulse,ON,Everlight and Freescale. Main products comprise IC,Modules,Potentiometer,IC Socket,Relay,Connector.Our parts cover such applications as commercial,industrial, and automotives areas.

We are looking forward to setting up business relationship with you and hope to provide you with the best service and solution. Let us make a better world for our industry!



## Contact us

Tel: +86-755-8981 8866 Fax: +86-755-8427 6832

Email & Skype: info@chipsmall.com Web: www.chipsmall.com

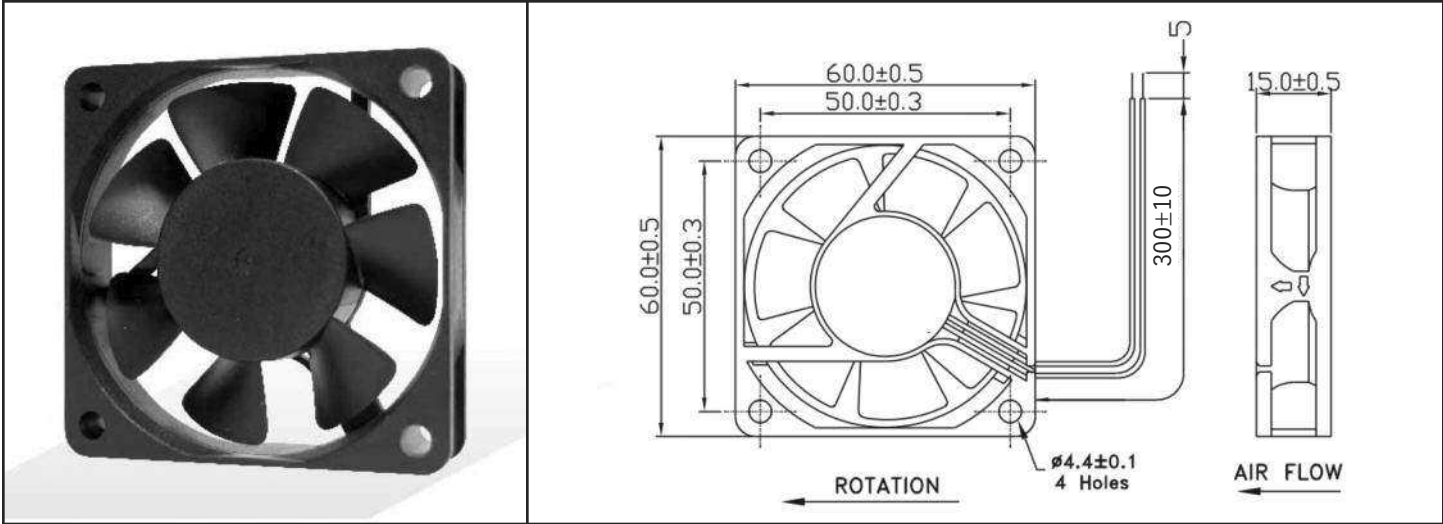
Address: A1208, Overseas Decoration Building, #122 Zhenhua RD., Futian, Shenzhen, China



# OD6015 Series



DC Fan - 5, 12, 24V  
60 x 15mm (2.36" x 0.59")



Frame & Impeller	PBT, UL94V-0 plastic	<b>Available Options:</b> Tachometer (FG) Alarm (RD) Other frame styles available Sleeve Bearing  Life Expectancy (L10) Ball Bearing 60,000 hours (L10 at 40C)  Operating Temperature Ball Bearing -10C ~ 70C  Weight: ~ 0.08 lbs  m1	
Connection	2x Lead wires		
Motor	Brushless DC, auto restart, polarity protected		
Bearing System	Dual Ball		
Insulation Resistance	10M ohm between leadwire and frame (500VDC)		
Dielectric Strength	1 minute at 500 VAC, max leakage < 500 MicroAmp		
Storage Temperature	-40C ~ +80C		

Model Number	Speed (RPM)	Airflow (CFM)	Noise (dB)	Volts DC	Power Input (Watts)	Amps	Max. Static Pressure (\"H <sub>2</sub> O)
OD6015-05HB	4,500	16	33	5	1.10	0.22	0.15
OD6015-05MB	3,900	14	29	5	0.90	0.18	0.12
OD6015-05LB	3,500	12	25	5	0.60	0.12	0.08
OD6015-12HHB	5,100	18	39	12	1.44	0.12	0.17
OD6015-12HB	4,500	16	33	12	1.08	0.09	0.15
OD6015-12MB	3,900	14	29	12	0.98	0.08	0.12
OD6015-12LB	3,500	12	25	12	0.84	0.07	0.08
OD6015-12LLB	3,100	11	21	12	0.72	0.06	0.06
OD6015-24HB	4,500	16	33	24	1.20	0.05	0.15