

Chipsmall Limited consists of a professional team with an average of over 10 year of expertise in the distribution of electronic components. Based in Hongkong, we have already established firm and mutual-benefit business relationships with customers from,Europe,America and south Asia,supplying obsolete and hard-to-find components to meet their specific needs.

With the principle of “Quality Parts,Customers Priority,Honest Operation,and Considerate Service”,our business mainly focus on the distribution of electronic components. Line cards we deal with include Microchip,ALPS,ROHM,Xilinx,Pulse,ON,Everlight and Freescale. Main products comprise IC,Modules,Potentiometer,IC Socket,Relay,Connector.Our parts cover such applications as commercial,industrial, and automotives areas.

We are looking forward to setting up business relationship with you and hope to provide you with the best service and solution. Let us make a better world for our industry!



Contact us

Tel: +86-755-8981 8866 Fax: +86-755-8427 6832

Email & Skype: info@chipsmall.com Web: www.chipsmall.com

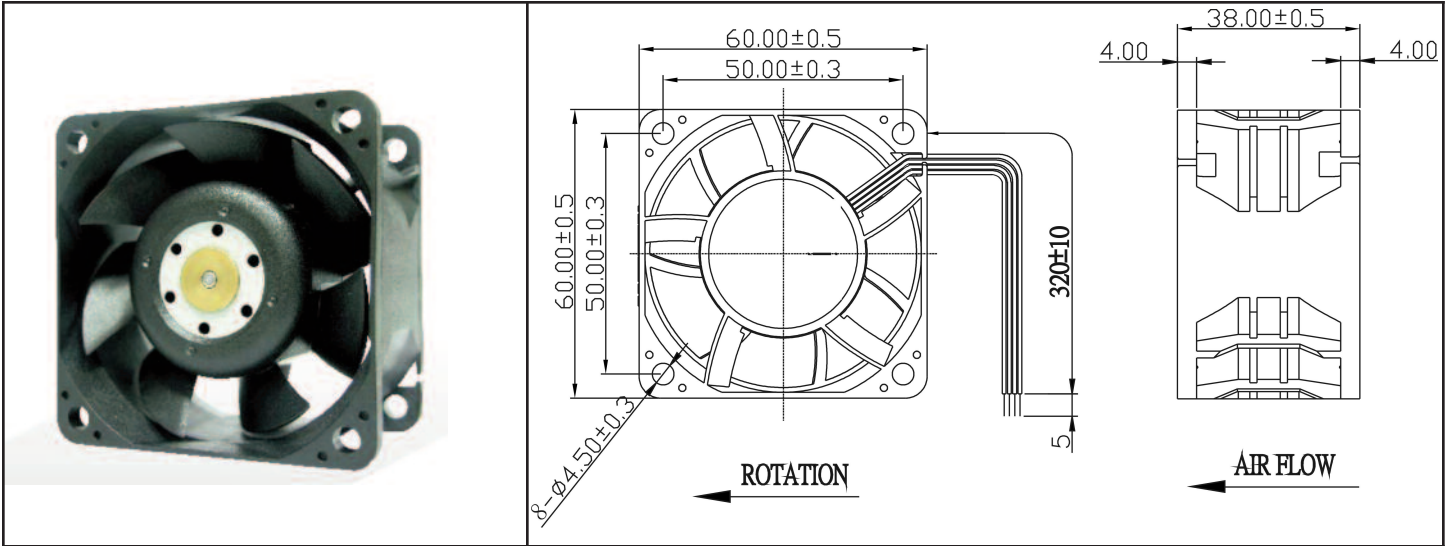
Address: A1208, Overseas Decoration Building, #122 Zhenhua RD., Futian, Shenzhen, China

OD6038 XC Series



DC Fan 12V

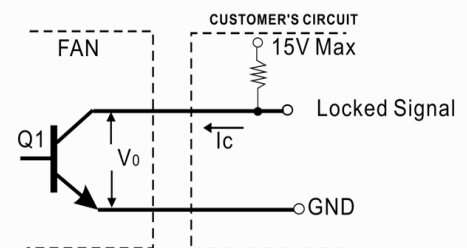
60x38mm (2.36"x 1.5")



| | | | |
|-----------------------|---|---|---|
| Frame & Impeller | PBT, UL94V-O plastic | Tachometer - Open Collector Weight: ~ 125 g * Connection UL1007, 24AWG, ~320mm Red (+) Black (-) White Tachometer m1 | <p>Graph showing Static Pressure (mmAq) and Static Pressure (InAq) vs Flowrate (CFM) and Flowrate (CMM). The curve shows a decrease in static pressure as flowrate increases.</p> |
| Connecion | 3x Lead wires * | | |
| Motor | Brushless DC, auto restart, polarity protected. | | |
| Bearing System | Dual ball bearing | | |
| Insulation Resistance | Min. 10M at 500VDC | | |
| Dielectric Strength | 1 minute at 500 VAC, max leakage < 500 MicroAmp | | |
| Temperature Range | -10C ~ +70C | | |
| Storage Temperature | -40C ~ +80C | | |
| Life (L10) | 70,000 hours (40C) | | |

| | |
|----------------------|-----------------------|
| Part Number | OD6038-12HBXC01A |
| Nominal Voltage | 12V DC |
| Voltage Range | 10.8 ~ 13.2V DC |
| Nominal Current | 2.10 A |
| Rated Power | 28.8 W |
| Rated Speed (RPM) | 14500 |
| Airflow (CFM) | 76 |
| Noise Level (dB) | 64 |
| Max. Static Pressure | 2.4" H ₂ O |

*Output type.....Open collector type
 *Electrical design suggestion:



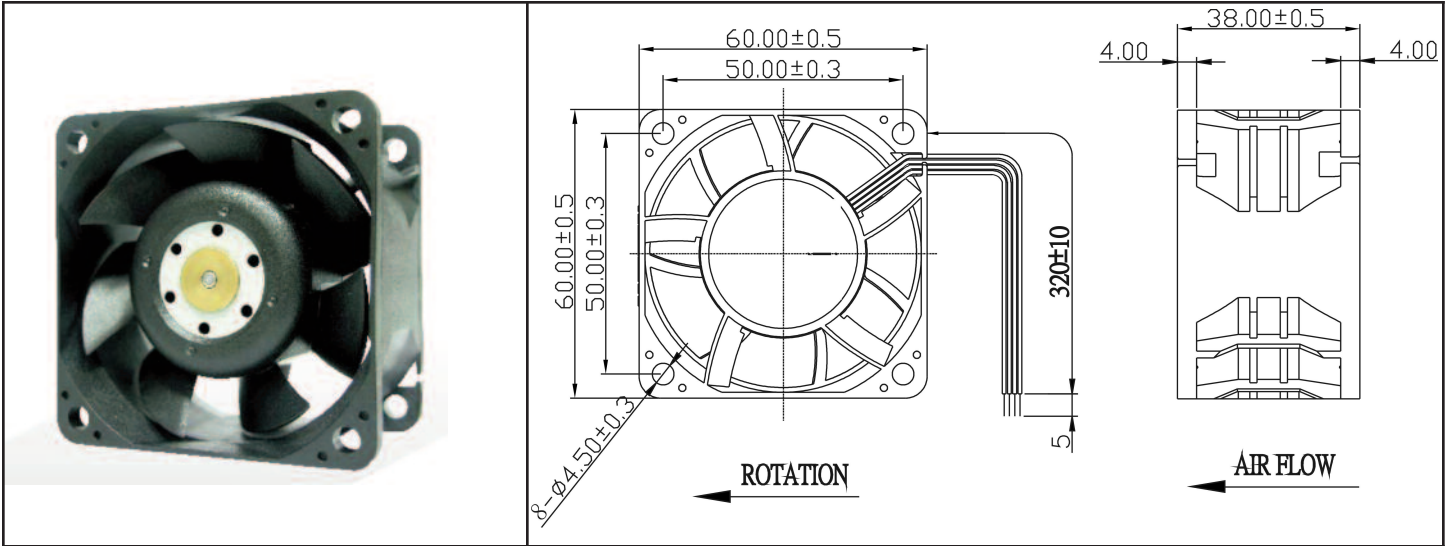
*Transistor Q1 at "ON" position
 Collector current.....I_c=10mA Max
 Saturation Voltage.....V_{OL}=1.0V Max
 (Between Collector and Emitter at I_c=10mA)
 *Transistor Q1 at "OFF" position
 Release Voltage.....V_{OH}=15V Max

OD6038 XC Series



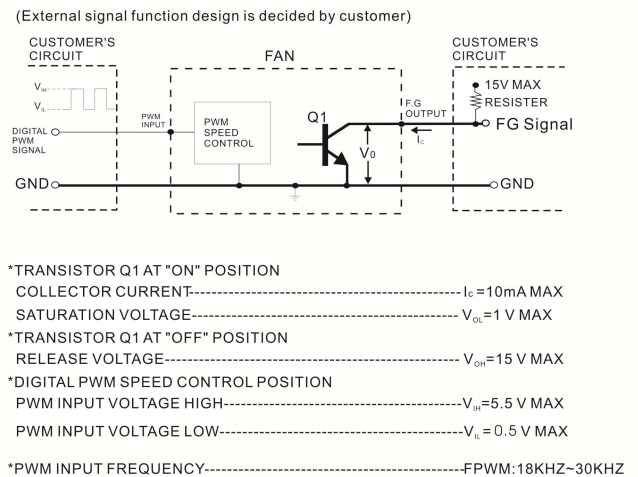
DC Fan 12V

60x38mm (2.36"x 1.5")



| | | | |
|-----------------------|---|--|---|
| Frame & Impeller | PBT, UL94V-O plastic | Tachometer - Open Collector PWM Input Weight: ~ 125 g * Connection UL1007, 24AWG, ~320mm Red (+) Black (-) White Tachometer Blue PWM | <p>Graph showing Static Pressure (mmAq) and Static Pressure (InAq) vs Flowrate (CFM) and Flowrate (CMM). The curve shows a decrease in static pressure as flowrate increases.</p> |
| Connecion | 4x Lead wires * | | |
| Motor | Brushless DC, auto restart, polarity protected. | | |
| Bearing System | Dual ball bearing | | |
| Insulation Resistance | Min. 10M at 500VDC | | |
| Dielectric Strength | 1 minute at 500 VAC, max leakage < 500 MicroAmp | | |
| Temperature Range | -10C ~ +70C | | |
| Storage Temperature | -40C ~ +80C | m1 | |
| Life (L10) | 70,000 hours (40C) | | |

| | |
|----------------------|-----------------------|
| Part Number | OD6038-12HBXC10A |
| Nominal Voltage | 12V DC |
| Voltage Range | 10.8 ~ 13.2V DC |
| Nominal Current | 2.10 A |
| Rated Power | 28.8 W |
| Rated Speed (RPM) | 14500 |
| Airflow (CFM) | 76 |
| Noise Level (dB) | 64 |
| Max. Static Pressure | 2.4" H ₂ O |

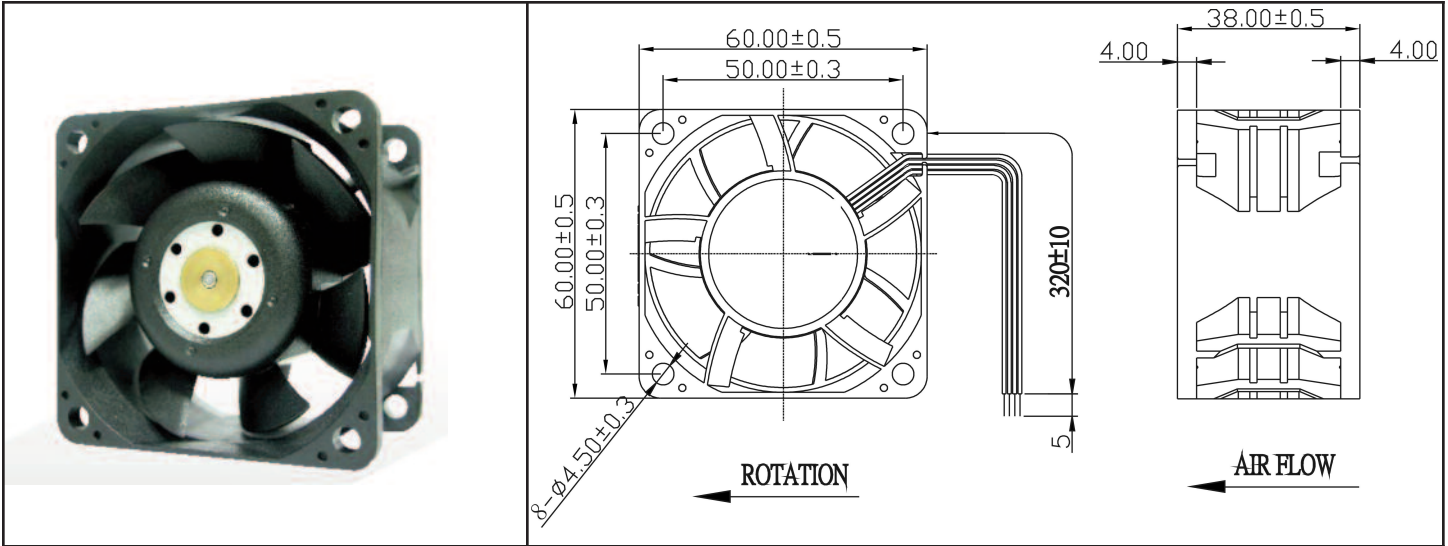


OD6038 XC Series



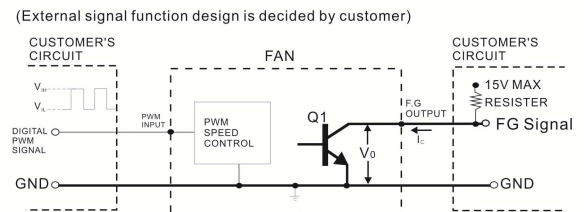
DC Fan 12V

60x38mm (2.36"x 1.5")



| | | | |
|-----------------------|---|--|--|
| Frame & Impeller | PBT, UL94V-O plastic | Tachometer - Open Collector PWM Input Weight: ~ 125 g * Connection UL1007, 24AWG, ~320mm Red (+) Black (-) White Tachometer Blue PWM | |
| Connection | 4x Lead wires * | | |
| Motor | Brushless DC, auto restart, polarity protected. | | |
| Bearing System | Dual ball bearing | | |
| Insulation Resistance | Min. 10M at 500VDC | | |
| Dielectric Strength | 1 minute at 500 VAC, max leakage < 500 MicroAmp | | |
| Temperature Range | -10C ~ 70C | | |
| Storage Temperature | -40C ~ +80C | m1 | |
| Life (L10) | 70,000 hours (40C) | | |

| | |
|----------------------|------------------------|
| Part Number | OD6038-12HHBXC10A |
| Nominal Voltage | 12V DC |
| Voltage Range | 10.8 ~ 13.2V DC |
| Nominal Current | 2.70 A |
| Rated Power | 36 W |
| Rated Speed (RPM) | 16000 |
| Airflow (CFM) | 86 |
| Noise Level (dB) | 66 |
| Max. Static Pressure | 2.95" H ₂ O |



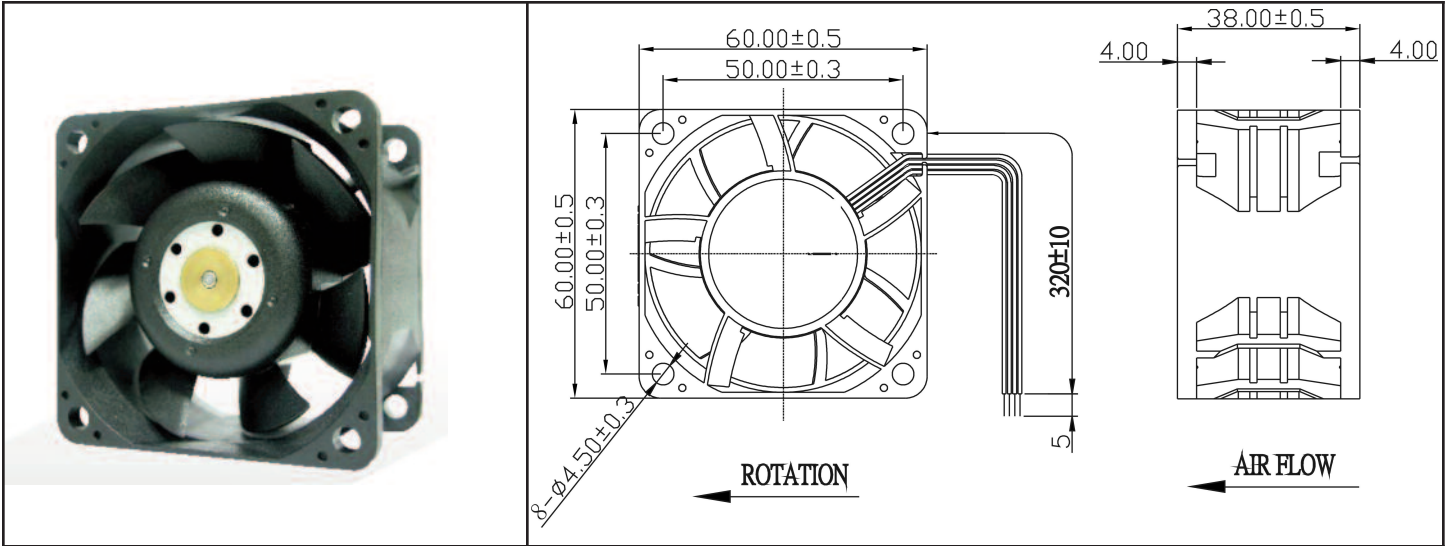
- *TRANSISTOR Q1 AT "ON" POSITION
COLLECTOR CURRENT-----I_c = 10mA MAX
SATURATION VOLTAGE-----V_{ce} = 1 V MAX
- *TRANSISTOR Q1 AT "OFF" POSITION
RELEASE VOLTAGE-----V_{off} = 15 V MAX
- *DIGITAL PWM SPEED CONTROL POSITION
PWM INPUT VOLTAGE HIGH-----V_{ih} = 5.5 V MAX
PWM INPUT VOLTAGE LOW-----V_{il} = 0.5 V MAX
- *PWM INPUT FREQUENCY-----FPWM: 18KHZ-30KHZ

OD6038 XC Series

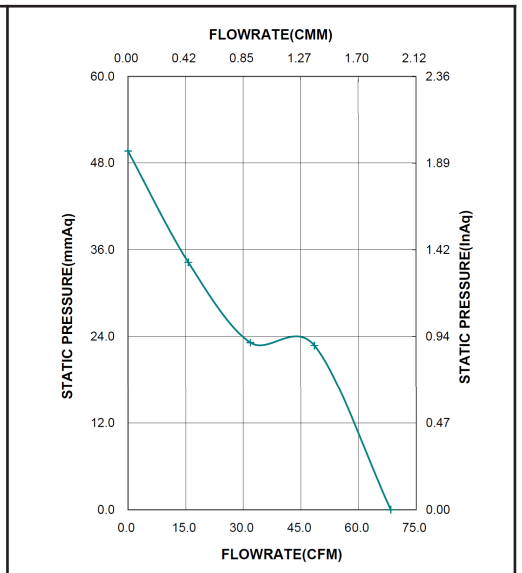


DC Fan 12V

60x38mm (2.36"x 1.5")

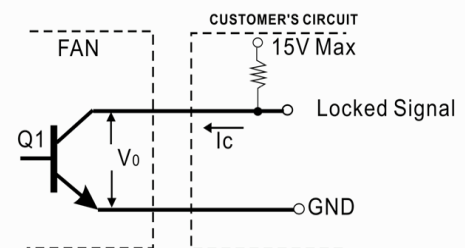


| | | |
|-----------------------|---|---|
| Frame & Impeller | PBT, UL94V-O plastic | Tachometer - Open Collector Weight: ~ 125 g * Connection UL1007, 24AWG, ~320mm Red (+) Black (-) White Tachometer |
| Connecion | 3x Lead wires * | |
| Motor | Brushless DC, auto restart, polarity protected. | |
| Bearing System | Dual ball bearing | |
| Insulation Resistance | Min. 10M at 500VDC | |
| Dielectric Strength | 1 minute at 500 VAC, max leakage < 500 MicroAmp | |
| Temperature Range | -10C ~ +70C | |
| Storage Temperature | -40C ~ +80C | |
| Life (L10) | 70,000 hours (40C) | m1 |



| | |
|----------------------|------------------------|
| Part Number | OD6038-12LBXC01A |
| Nominal Voltage | 12V DC |
| Voltage Range | 10.8 ~ 13.2V DC |
| Nominal Current | 1.45 A |
| Rated Power | 21.6 W |
| Rated Speed (RPM) | 13000 |
| Airflow (CFM) | 68 |
| Noise Level (dB) | 61 |
| Max. Static Pressure | 1.95" H ₂ O |

*Output type.....Open collector type
 *Electrical design suggestion:



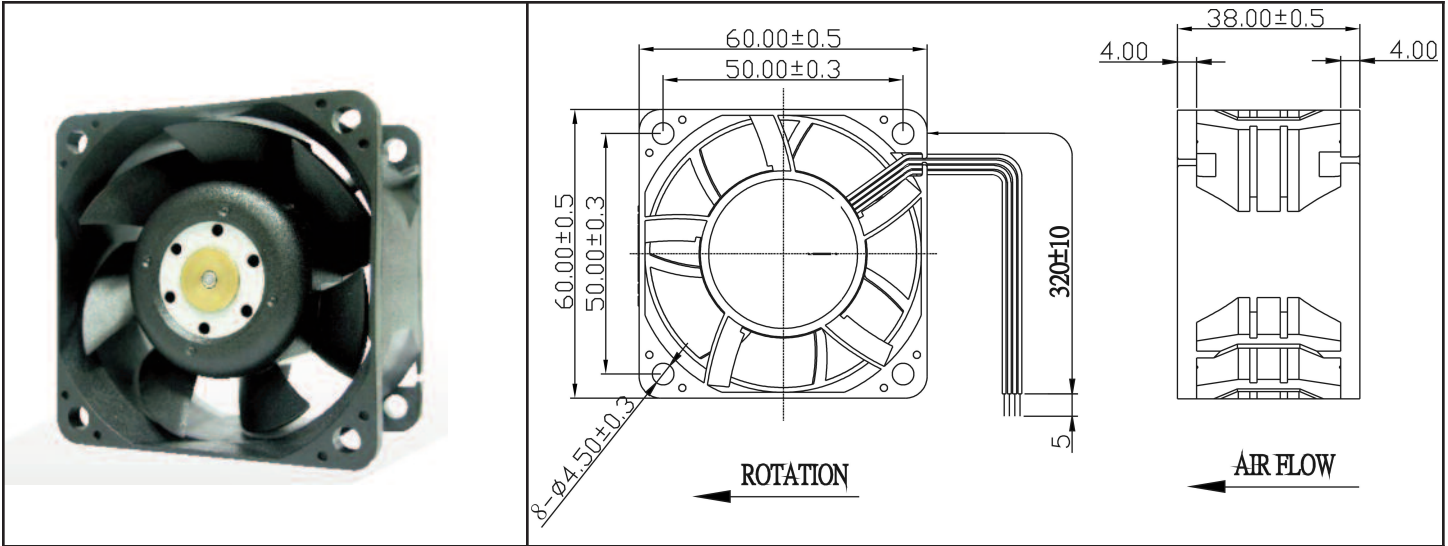
*Transistor Q1 at "ON" position
 Collector current.....I_c=10mA Max
 Saturation Voltage.....V_{OL}=1.0V Max
 (Between Collector and Emitter at I_c=10mA)
 *Transistor Q1 at "OFF" position
 Release Voltage.....V_{OH}=15V Max

OD6038 XC Series



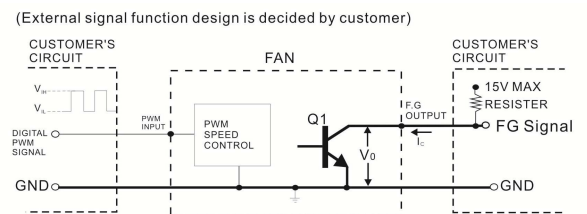
DC Fan 24V

60x38mm (2.36"x 1.5")



| | | | |
|-----------------------|---|--|--|
| Frame & Impeller | PBT, UL94V-O plastic | Tachometer - Open Collector PWM Input Weight: ~ 125 g * Connection UL1007, 24AWG, ~320mm Red (+) Black (-) White Tachometer Blue PWM | |
| Connection | 4x Lead wires * | | |
| Motor | Brushless DC, auto restart, polarity protected. | | |
| Bearing System | Dual ball bearing | | |
| Insulation Resistance | Min. 10M at 500VDC | | |
| Dielectric Strength | 1 minute at 500 VAC, max leakage < 500 MicroAmp | | |
| Temperature Range | -10C ~ 70C | | |
| Storage Temperature | -40C ~ +80C | | |
| Life (L10) | 70,000 hours (40C) | m1 | |

| | |
|----------------------|------------------------|
| Part Number | OD6038-24HHBXC10A |
| Nominal Voltage | 24V DC |
| Voltage Range | 21.6 ~ 26.4V DC |
| Nominal Current | 1.25 A |
| Rated Power | 30 W |
| Rated Speed (RPM) | 16000 |
| Airflow (CFM) | 86 |
| Noise Level (dB) | 69.5 |
| Max. Static Pressure | 2.95" H ₂ O |



- *TRANSISTOR Q1 AT "ON" POSITION
COLLECTOR CURRENT-----I_c = 10mA MAX
SATURATION VOLTAGE-----V_{ce} = 1 V MAX
- *TRANSISTOR Q1 AT "OFF" POSITION
RELEASE VOLTAGE-----V_{oh} = 15 V MAX
- *DIGITAL PWM SPEED CONTROL POSITION
PWM INPUT VOLTAGE HIGH-----V_{ih} = 5.5 V MAX
PWM INPUT VOLTAGE LOW-----V_{il} = 0.5 V MAX
- *PWM INPUT FREQUENCY-----FPWM: 18KHZ-30KHZ