



Chipsmall Limited consists of a professional team with an average of over 10 year of expertise in the distribution of electronic components. Based in Hongkong, we have already established firm and mutual-benefit business relationships with customers from,Europe,America and south Asia,supplying obsolete and hard-to-find components to meet their specific needs.

With the principle of "Quality Parts,Customers Priority,Honest Operation,and Considerate Service",our business mainly focus on the distribution of electronic components. Line cards we deal with include Microchip,ALPS,ROHM,Xilinx,Pulse,ON,Everlight and Freescale. Main products comprise IC,Modules,Potentiometer,IC Socket,Relay,Connector.Our parts cover such applications as commercial,industrial, and automotives areas.

We are looking forward to setting up business relationship with you and hope to provide you with the best service and solution. Let us make a better world for our industry!



Contact us

Tel: +86-755-8981 8866 Fax: +86-755-8427 6832

Email & Skype: info@chipsmall.com Web: www.chipsmall.com

Address: A1208, Overseas Decoration Building, #122 Zhenhua RD., Futian, Shenzhen, China





OD7025 Series Datasheets

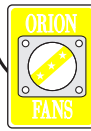
DC Fan

70 x 25mm (2.76 x 1.0in)

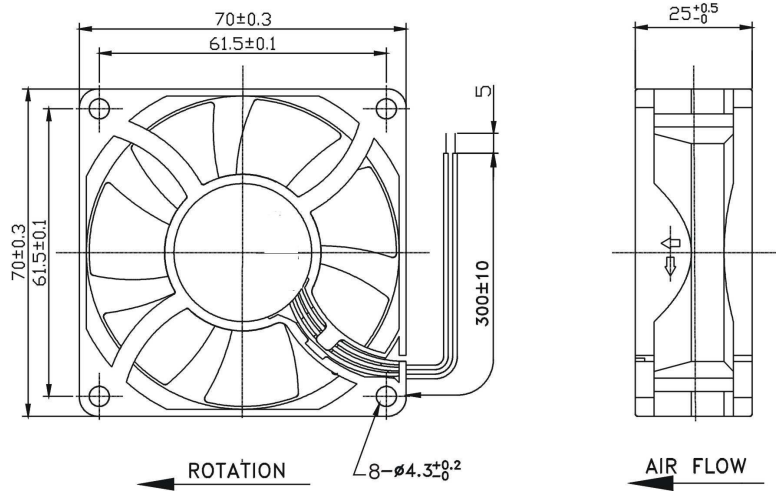


Model #	Pg #	Voltage	RPM	CFM	Noise Level	Max Static Pressure
OD7025-12HBXC	2	12 VDC	6000	57	52.3 dB	.46 H ₂ O
OD7025-12HBXC01A	3	12 VDC	6000	57	52.3 dB	.46 H ₂ O
OD7025-12HHB10A	4	12 VDC	5000	51	46 dB	.35 H ₂ O
OD7025-24HHB	5	24 VDC	5000	51	46 dB	.35 H ₂ O
OD7025-24MB	6	24 VDC	3800	33	36 dB	.20 H ₂ O

OD7025-12HBXC



DC Fan, 12VDC
70x25mm (2.76x1.0in)

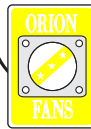


Frame & Impeller	PBT, UL94V-0 plastic	<u>Available Options</u> IP55 Other speeds and voltages Alarm Tachometer PWM *Connection: Wire Leads - UL1007 24AWG Red(+), Black (-), Weight: 90 g	
Connection	2x Lead wires *		
Motor	Brushless DC, auto restart, polarity protected.		
Bearing System	Dual ball bearing		
Insulation Resistance	Min. 10M at 500VDC		
Dielectric Strength	1 second at 500VAC max leakage 500 microamp		
Temperature Range	-10C ~ +70C		
Storage Temperature	-40C ~ +80C		
Life (L10)	70,000 hours (40C)		

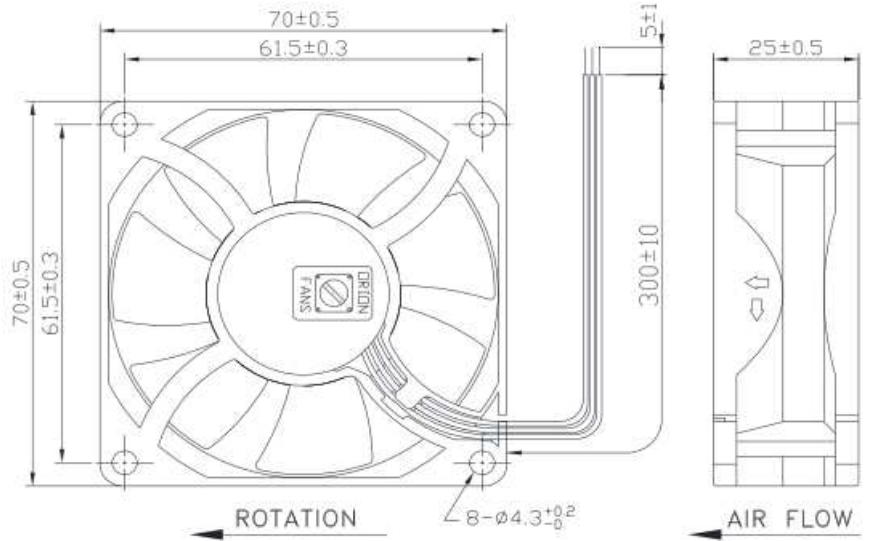
Model Number	OD7025-12HBXC
Part Number	114181001
Nominal Voltage	12 VDC
Voltage Range	7~13.2 VDC
Nominal Current	.62 A
Rated Power	9.6 Watts
Rated Speed (RPM)	6000
Airflow (CFM)	57
Noise Level (dB)	52.3
Max. Static Pressure	.46 "H ₂ O



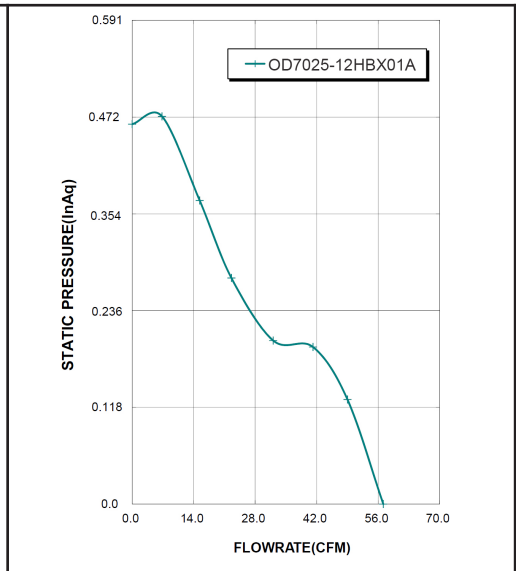
OD7025-12HBXC01A



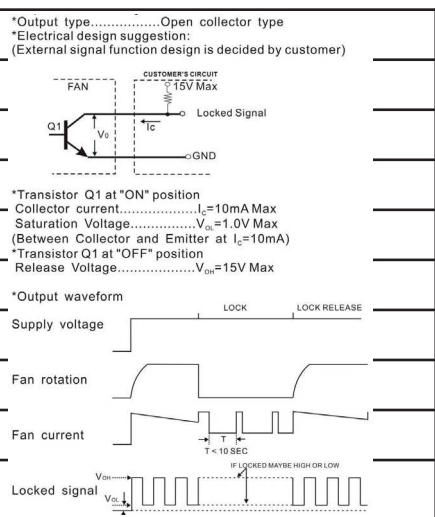
DC Fan, 12VDC
70x25mm (2.76x1.0in)



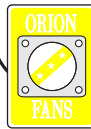
Frame & Impeller	PBT, UL94V-0 plastic	Available Options IP55 Other speeds and voltages Alarm Tachometer PWM *Connection: Wire Leads - UL1007 24AWG Red(+), Black (-), White Tachometer Weight: 90 g
Connection	3x Lead wires *	
Motor	Brushless DC, auto restart, polarity protected.	
Bearing System	Dual ball bearing	
Insulation Resistance	Min. 10M at 500VDC	
Dielectric Strength	1 second at 500VAC max leakage 500 microamp	
Temperature Range	-10C ~ +70C	
Storage Temperature	-40C ~ +80C	
Life (L10)	70,000 hours (40C)	



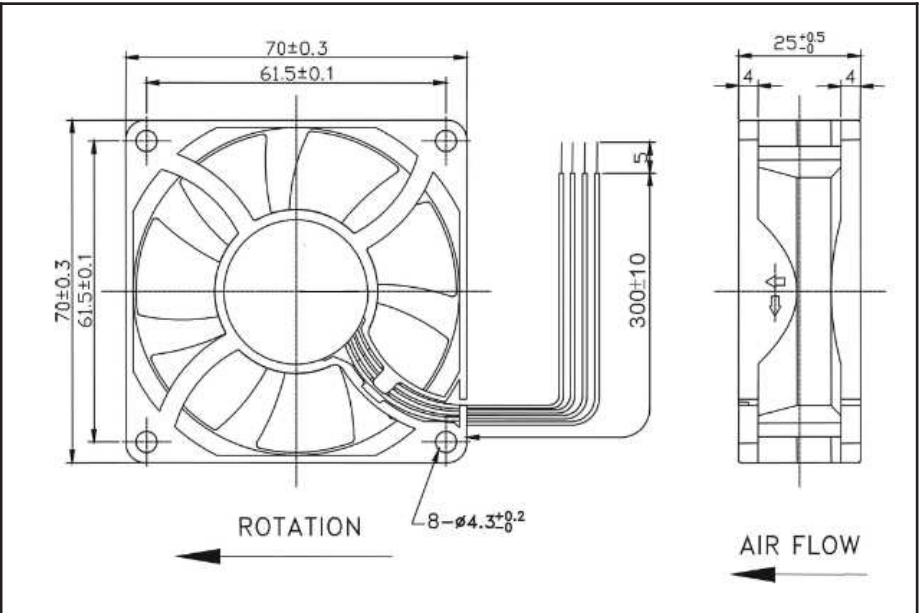
Model Number	OD7025-12HBXC01A
Part Number	114181221
Nominal Voltage	12 VDC
Voltage Range	7~13.2 VDC
Nominal Current	.62 A
Rated Power	9.6 Watts
Rated Speed (RPM)	6000
Airflow (CFM)	57
Noise Level (dB)	52.3
Max. Static Pressure	.46 "H ₂ O



OD7025-12HHB10A



DC Fan, 12VDC
70x25mm (2.76x1.0in)

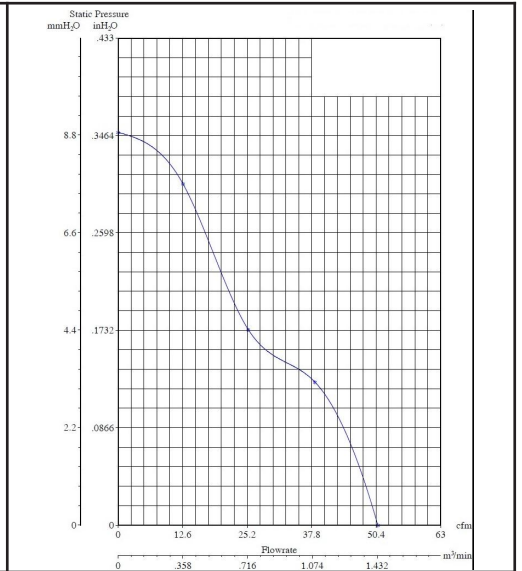


Frame & Impeller	PBT, UL94V-0 plastic
Connection	4x Lead wires *
Motor	Brushless DC, auto restart, polarity protected.
Bearing System	Dual ball bearing
Insulation Resistance	Min. 10M at 500VDC
Dielectric Strength	1 second at 500VAC max leakage 500 microamp
Temperature Range	-10C ~ +70C
Storage Temperature	-40C ~ +80C
Life (L10)	70,000 hours (40C)

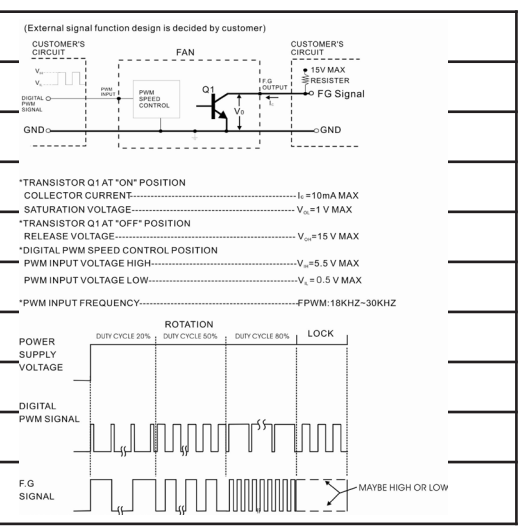
Available Options
IP55
Other speeds and voltages
Alarm

*Connection:
Wire Leads - UL1061
26AWG Red(+), Black (-),
White Tachometer,
Blue PWM

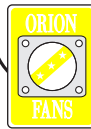
Weight: 90 g



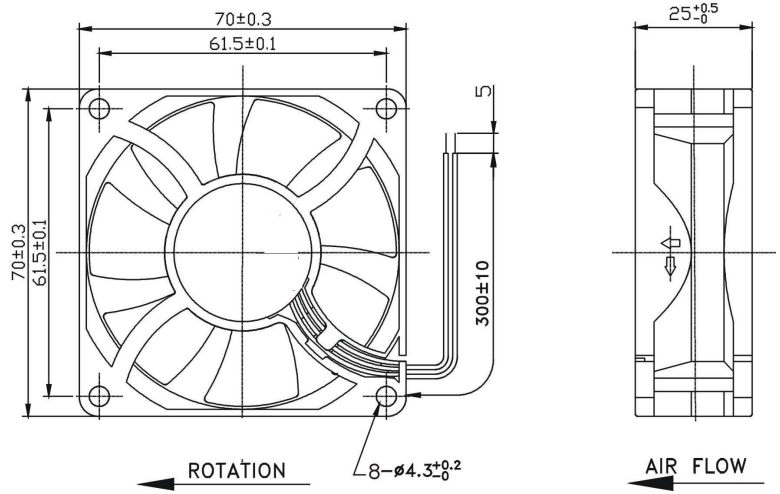
Model Number	OD7025-12HHB10A
Part Number	114151261
Nominal Voltage	12 VDC
Voltage Range	7~13.2 VDC
Nominal Current	.33 A
Rated Power	5.04 Watts
Rated Speed (RPM)	5000
Airflow (CFM)	51
Noise Level (dB)	46
Max. Static Pressure	.35 "H ₂ O



OD7025-24HHB



DC Fan, 24VDC
70x25mm (2.76x1.0in)

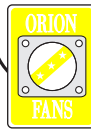


Frame & Impeller	PBT, UL94V-0 plastic	Available Options IP55 Other speeds and voltages Alarm Tachometer PWM *Connection: Wire Leads - UL1007 24AWG Red(+), Black (-), Weight: 90 g	<p>Static Pressure mmH₂O inH₂O</p> <p>Flowrate cfm m³/min</p>
Connection	2x Lead wires *		
Motor	Brushless DC, auto restart, polarity protected.		
Bearing System	Dual ball bearing		
Insulation Resistance	Min. 10M at 500VDC		
Dielectric Strength	1 second at 500VAC max leakage 500 microamp		
Temperature Range	-10C ~ +70C		
Storage Temperature	-40C ~ +80C		
Life (L10)	70,000 hours (40C)		

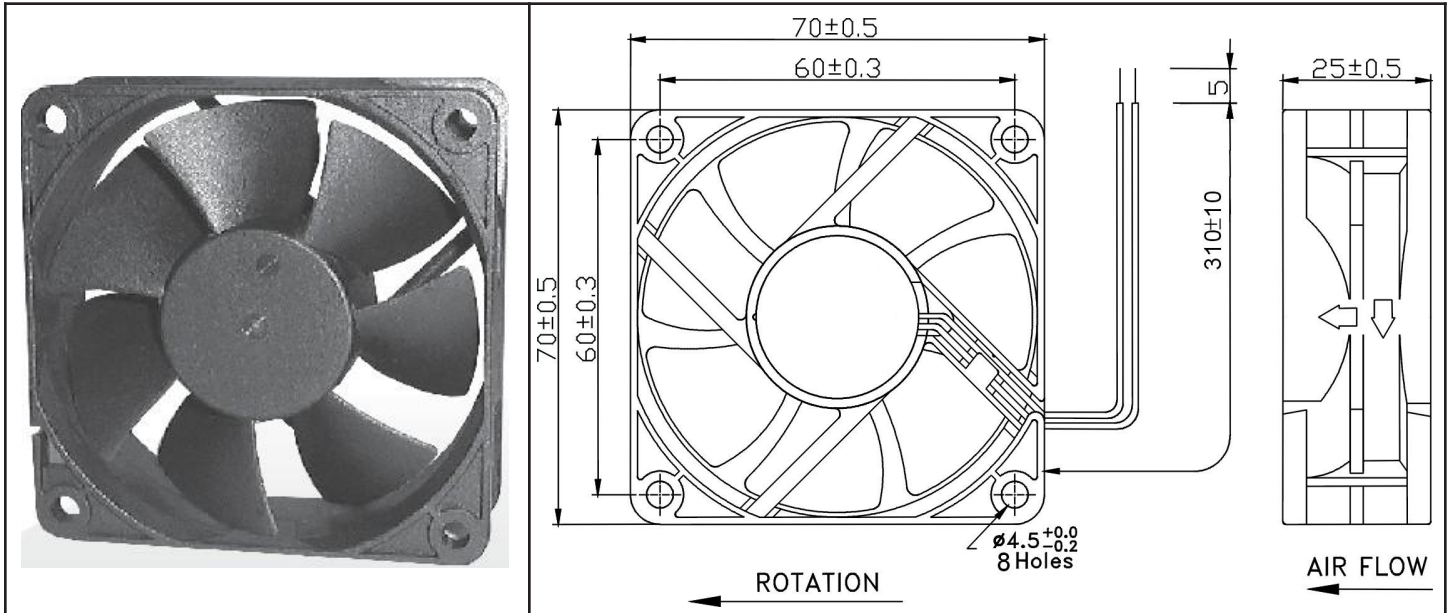
Model Number	OD7025-24HHB
Part Number	114251001
Nominal Voltage	24 VDC
Voltage Range	17~26.4 VDC
Nominal Current	.20 A
Rated Power	6.24 Watts
Rated Speed (RPM)	5000
Airflow (CFM)	51
Noise Level (dB)	46
Max. Static Pressure	.35 "H ₂ O



OD7025-24MB



DC Fan, 24VDC
70x25mm (2.76x1.0in)



Frame & Impeller	PBT, UL94V-0 plastic	<u>Available Options</u> IP55 Other speeds and voltages Alarm Tachometer PWM *Connection: Wire Leads - UL1007 24AWG Red(+), Black (-), Weight: 61 g	
Connection	2x Lead wires *		
Motor	Brushless DC, auto restart, polarity protected.		
Bearing System	Dual ball bearing		
Insulation Resistance	Min. 10M at 500VDC		
Dielectric Strength	1 second at 500VAC max leakage 500 microamp		
Temperature Range	-10C ~ +70C		
Storage Temperature	-40C ~ +80C		
Life (L10)	70,000 hours (40C)		

Model Number	OD7025-24MB
Part Number	114231001
Nominal Voltage	24 VDC
Voltage Range	17~26.4 VDC
Nominal Current	.085 A
Rated Power	2.64 Watts
Rated Speed (RPM)	3800
Airflow (CFM)	33
Noise Level (dB)	36
Max. Static Pressure	.20 "H ₂ O

