



Chipsmall Limited consists of a professional team with an average of over 10 year of expertise in the distribution of electronic components. Based in Hongkong, we have already established firm and mutual-benefit business relationships with customers from,Europe,America and south Asia,supplying obsolete and hard-to-find components to meet their specific needs.

With the principle of “Quality Parts,Customers Priority,Honest Operation,and Considerate Service”,our business mainly focus on the distribution of electronic components. Line cards we deal with include Microchip,ALPS,ROHM,Xilinx,Pulse,ON,Everlight and Freescale. Main products comprise IC,Modules,Potentiometer,IC Socket,Relay,Connector.Our parts cover such applications as commercial,industrial, and automotives areas.

We are looking forward to setting up business relationship with you and hope to provide you with the best service and solution. Let us make a better world for our industry!



## Contact us

Tel: +86-755-8981 8866 Fax: +86-755-8427 6832

Email & Skype: info@chipsmall.com Web: www.chipsmall.com

Address: A1208, Overseas Decoration Building, #122 Zhenhua RD., Futian, Shenzhen, China





## OD8015 Series

DC Fan - 12V, 24V  
80 x 15mm (3.15 x .59in)



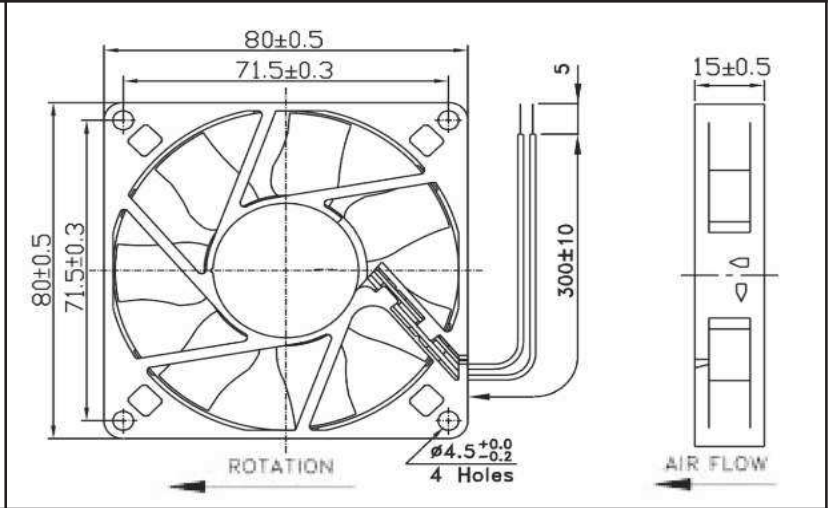
Model #	Pg #	Voltage	RPM	CFM	Noise Level	Max Static Pressure
OD8015-12H	2	12 VDC	3200	30	33 dB	.11 H <sub>2</sub> O
OD8015-12M	2	12 VDC	2500	23	26 dB	.07 H <sub>2</sub> O
OD8015-12L	2	12 VDC	2000	20	20 dB	.05 H <sub>2</sub> O
OD8015-24H	2	24 VDC	3200	30	33 dB	.11 H <sub>2</sub> O
OD8015-24M	2	24 VDC	2500	23	26 dB	.07 H <sub>2</sub> O
OD8015-12HB01A	3	12 VDC	3200	30	33 dB	.12 H <sub>2</sub> O
OD8015-12HB02A	4	12 VDC	3200	30	33 dB	.12 H <sub>2</sub> O
OD8015-12MB02A	5	12 VDC	2440	22	25 dB	.08 H <sub>2</sub> O
OD8015-24HB02A	6	24 VDC	3200	30	33 dB	.12 H <sub>2</sub> O

\*\* For some models and part numbers, minimum order quantities may apply.

# OD8015 Series



DC Fan - 12, 24V  
80x15mm (3.15"x 0.59")



Frame & Impeller	PBT, UL94V-0 plastic	<b>Available Options:</b> Tachometer Alarm 5V  <u>Life Expectancy (L10)</u> Ball - 60,000 hrs (45C) Sleeve - 30,000 hrs (45C)  <u>Operating Temperature</u> Ball: -20C ~ +80C Sleeve: -10C ~ +50C  Weight: ~0.14 lbs  m1	
Connection	2x Lead wires 24AWG		
Motor	Brushless DC, auto restart, impedance and polarity protected		
Bearing System	Ball bearing or Sleeve		
Insulation Resistance	10M ohm between leadwire and frame (500VDC)		
Dielectric Strength	1 minute at 500 VAC, max leakage < 500 MicroAmp		
Storage Temperature	-40C ~ +80C		

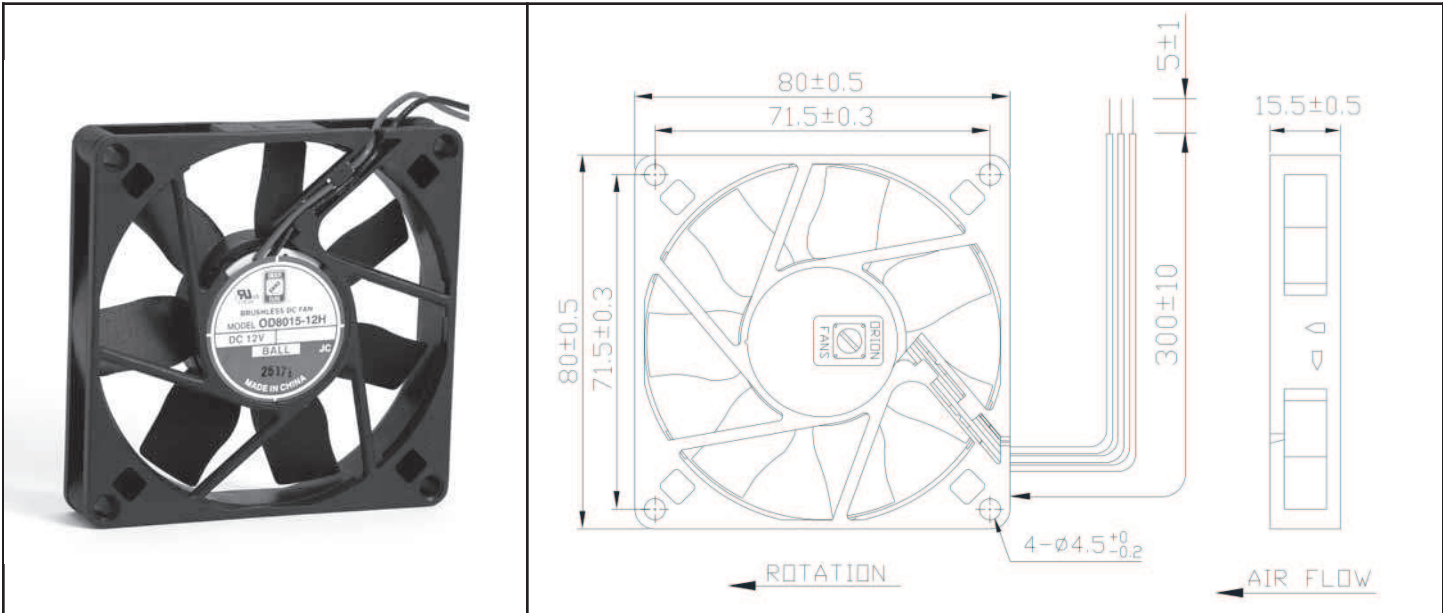
Model Number	Speed (RPM)	Airflow (CFM)	Noise (dB)	Volts DC	Voltage Range (VDC)	Amps	Max. Static Pressure ("H <sub>2</sub> O)
OD8015-12H*	3200	30	33	12	10.8~13.2	0.18	0.11
OD8015-12M*	2500	23	26	12	10.8~13.2	0.12	0.07
OD8015-12L*	2000	20	20	12	10.8~13.2	0.09	0.05
OD8015-24H*	3200	30	33	24	22.6~26.4	0.10	0.11
OD8015-24M*	2500	23	26	24	22.6~26.4	0.08	0.07

\* Indicate "B" for ball bearing or "S" for sleeve bearing

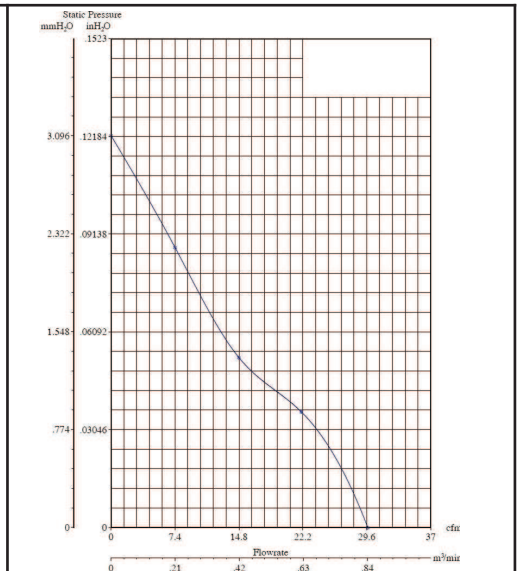
# OD8015-12HB01A



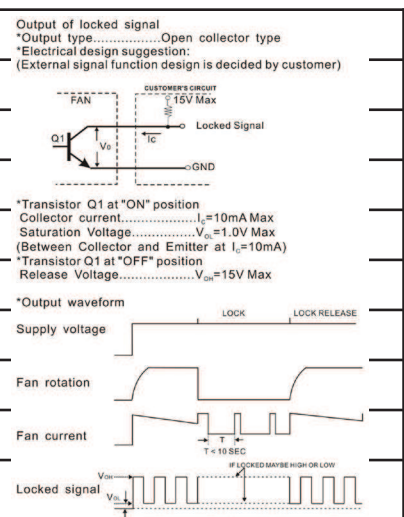
DC Fan, 12VDC  
80x15mm (3.15x.59in)



Frame & Impeller	PBT, UL94V-0 plastic	<b>Available Options</b> IP55 Other speeds and voltages Alarm PWM  *Connection: Wire Leads - UL1007 24AWG Red(+), Black (-), White Tachometer  Weight: 62 g
Connection	3x Lead wires *	
Motor	Brushless DC, auto restart, polarity protected.	
Bearing System	Dual ball bearing	
Insulation Resistance	Min. 10M at 500VDC	
Dielectric Strength	1 second at 500VAC max leakage 500 microamp	
Temperature Range	-10C ~ +70C	
Storage Temperature	-40C ~ +80C	
Life (L10)	70,000 hours (40C)	



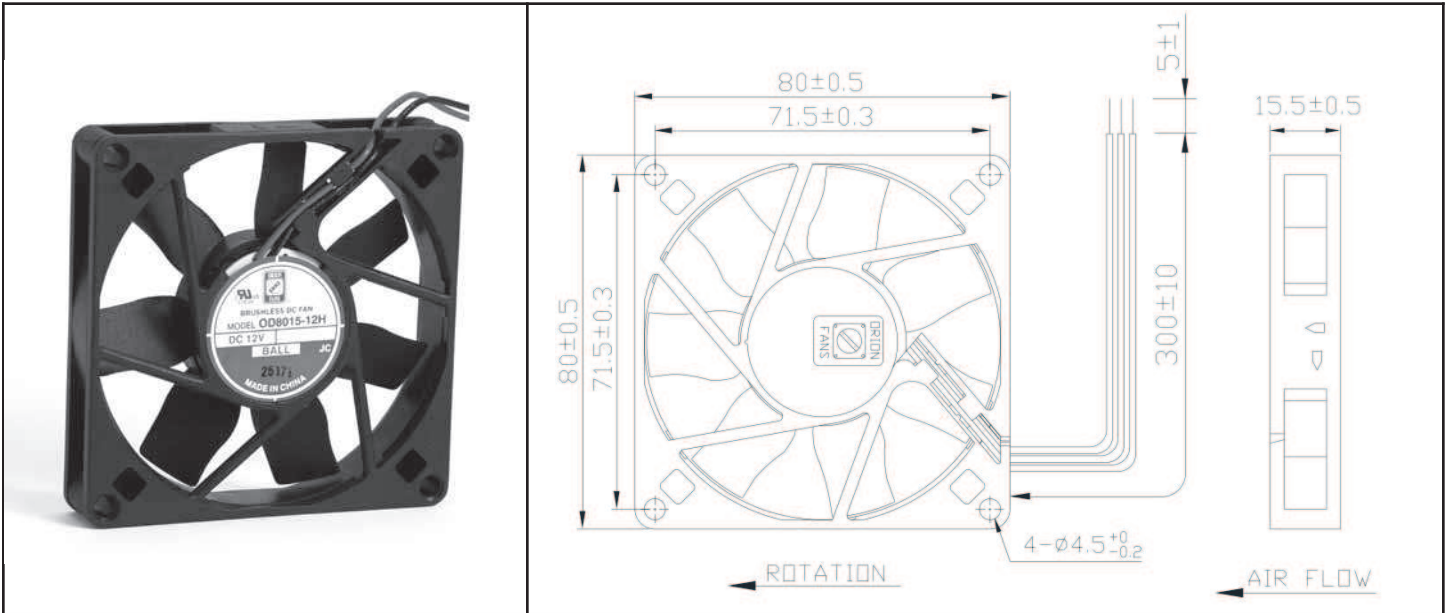
Model Number	OD8015-12HB01A
Part Number	181141221
Nominal Voltage	12 VDC
Voltage Range	7~13.2 VDC
Nominal Current	.11 A
Rated Power	2.28 Watts
Rated Speed (RPM)	3200
Airflow (CFM)	30
Noise Level (dB)	33
Max. Static Pressure	.12 "H <sub>2</sub> O



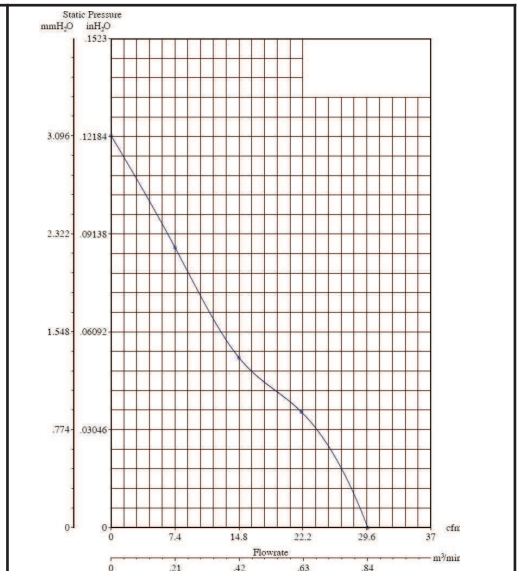
# OD8015-12HB02A



DC Fan, 12VDC  
80x15mm (3.15x.59in)



Frame & Impeller	PBT, UL94V-0 plastic	<b>Available Options</b> IP55 Other speeds and voltages Tachometer PWM  *Connection: Wire Leads - UL1007 24AWG Red(+), Black(-), Yellow Alarm  Weight: 62 g
Connection	3x Lead wires *	
Motor	Brushless DC, auto restart, polarity protected.	
Bearing System	Dual ball bearing	
Insulation Resistance	Min. 10M at 500VDC	
Dielectric Strength	1 second at 500VAC max leakage 500 microamp	
Temperature Range	-10C ~ +70C	
Storage Temperature	-40C ~ +80C	
Life (L10)	70,000 hours (40C)	



Model Number	OD8015-12HB02A
Part Number	181141231
Nominal Voltage	12 VDC
Voltage Range	7~13.2 VDC
Nominal Current	.10 A
Rated Power	2.28 Watts
Rated Speed (RPM)	3200
Airflow (CFM)	30
Noise Level (dB)	33
Max. Static Pressure	.12 "H <sub>2</sub> O

Output of locked signal  
 \*Output type.....Open collector type  
 \*Electrical design suggestion:  
 (External signal function design is decided by customer)

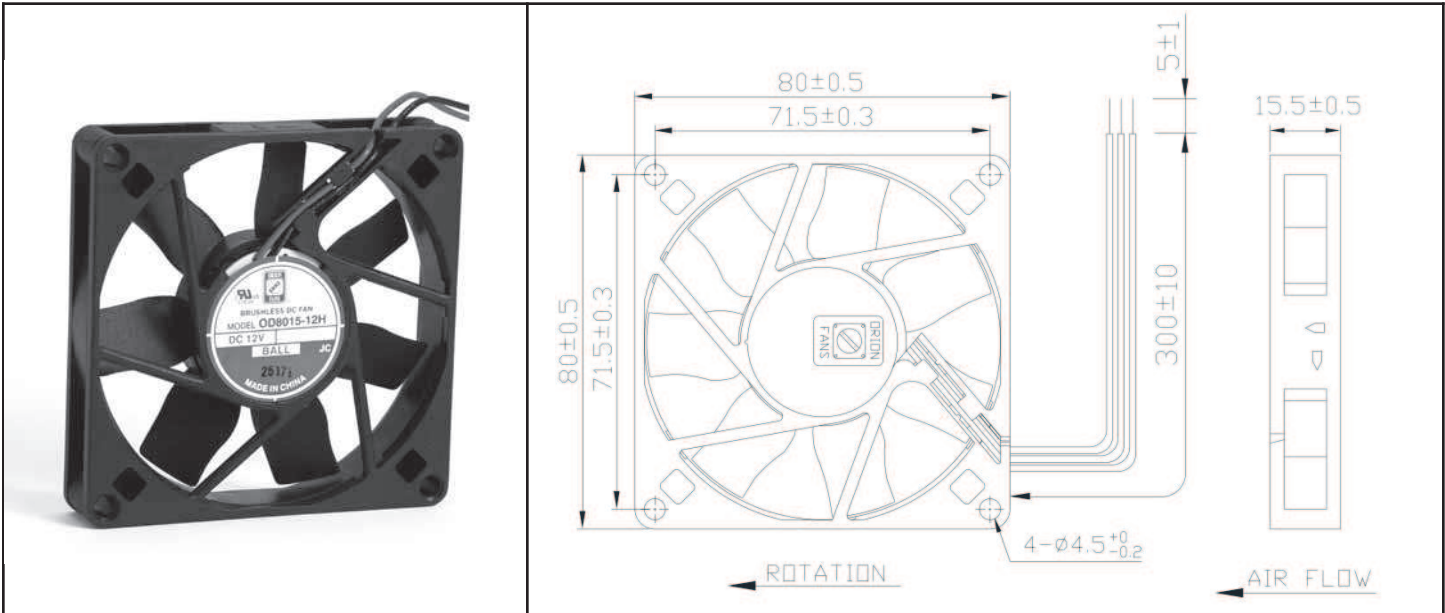
\*Transistor Q1 at "ON" position  
 Collector current.....I<sub>c</sub>=5mA Max  
 Saturation Voltage.....V<sub>ce</sub>=1.0V Max  
 (Between Collector and Emitter at I<sub>c</sub>=5mA)  
 \*Transistor Q1 at "OFF" position  
 Release Voltage.....V<sub>ce</sub>=15V Max

\*Output waveform

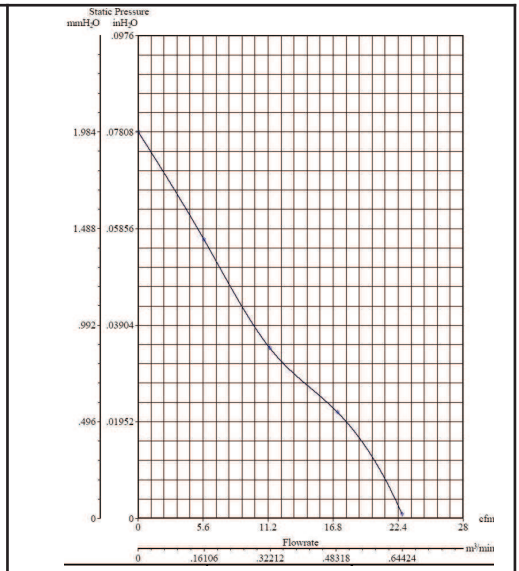
# OD8015-12MB02A



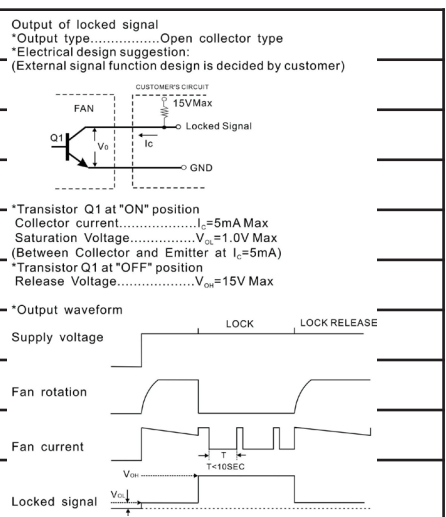
DC Fan, 12VDC  
80x15mm (3.15x.59in)



Frame & Impeller	PBT, UL94V-0 plastic	<b>Available Options</b> IP55 Other speeds and voltages Tachometer PWM  *Connection: Wire Leads - UL1007 24AWG Red(+), Black (-), Yellow Alarm  Weight: 62 g
Connection	3x Lead wires *	
Motor	Brushless DC, auto restart, polarity protected.	
Bearing System	Dual ball bearing	
Insulation Resistance	Min. 10M at 500VDC	
Dielectric Strength	1 second at 500VAC max leakage 500 microamp	
Temperature Range	-10C ~ +70C	
Storage Temperature	-40C ~ +80C	
Life (L10)	70,000 hours (40C)	



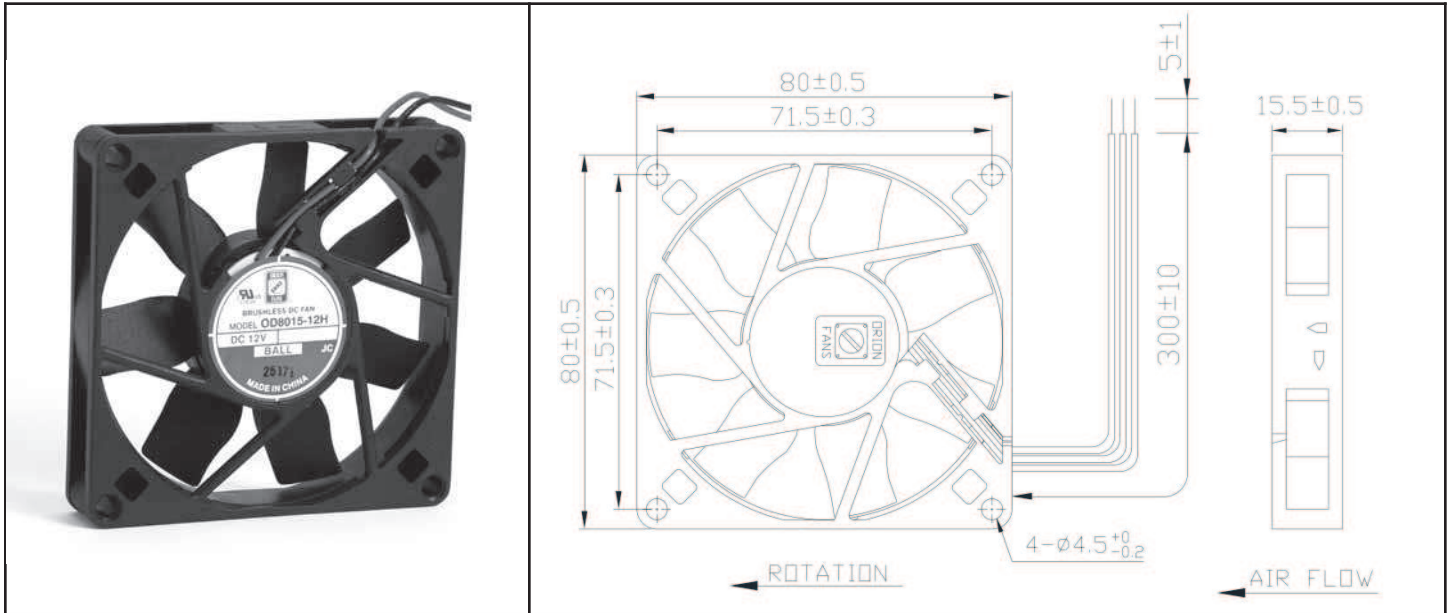
Model Number	OD8015-12MB02A
Part Number	181131231
Nominal Voltage	12 VDC
Voltage Range	7~13.2 VDC
Nominal Current	.05 A
Rated Power	1.8 Watts
Rated Speed (RPM)	2440
Airflow (CFM)	22
Noise Level (dB)	25
Max. Static Pressure	.08 "H <sub>2</sub> O



# OD8015-24HB02A



DC Fan, 24VDC  
80x15mm (3.15x.59in)



Frame & Impeller	PBT, UL94V-0 plastic	<b>Available Options</b> IP55 Other speeds and voltages Tachometer PWM  *Connection: Wire Leads - UL1007 24AWG Red(+), Black (-), Yellow Alarm  Weight: 62 g	
Connection	3x Lead wires *		
Motor	Brushless DC, auto restart, polarity protected.		
Bearing System	Dual ball bearing		
Insulation Resistance	Min. 10M at 500VDC		
Dielectric Strength	1 second at 500VAC max leakage 500 microamp		
Temperature Range	-10C ~ +70C		
Storage Temperature	-40C ~ +80C		
Life (L10)	70,000 hours (40C)		

Model Number	OD8015-24HB02A	<p>Output of locked signal                  *Output type.....Open collector type                  *Electrical design suggestion:                  (External signal function design is decided by customer)</p> <p>*Transistor Q1 at "ON" position                  Collector current.....Ic=10mA Max                  Saturation Voltage.....Vce=1.0V Max                  (Between Collector and Emitter at Ic=10mA)                  *Transistor Q1 at "OFF" position                  Release Voltage.....Vce=30V Max</p> <p>*Output waveform</p>
Part Number	181241231	
Nominal Voltage	24 VDC	
Voltage Range	17~26.4 VDC	
Nominal Current	.08 A	
Rated Power	3.36 Watts	
Rated Speed (RPM)	3200	
Airflow (CFM)	30	
Noise Level (dB)	33	
Max. Static Pressure	.12 "H <sub>2</sub> O	