



Chipsmall Limited consists of a professional team with an average of over 10 year of expertise in the distribution of electronic components. Based in Hongkong, we have already established firm and mutual-benefit business relationships with customers from,Europe,America and south Asia,supplying obsolete and hard-to-find components to meet their specific needs.

With the principle of “Quality Parts,Customers Priority,Honest Operation,and Considerate Service”,our business mainly focus on the distribution of electronic components. Line cards we deal with include Microchip,ALPS,ROHM,Xilinx,Pulse,ON,Everlight and Freescale. Main products comprise IC,Modules,Potentiometer,IC Socket,Relay,Connector.Our parts cover such applications as commercial,industrial, and automotives areas.

We are looking forward to setting up business relationship with you and hope to provide you with the best service and solution. Let us make a better world for our industry!



Contact us

Tel: +86-755-8981 8866 Fax: +86-755-8427 6832

Email & Skype: info@chipsmall.com Web: www.chipsmall.com

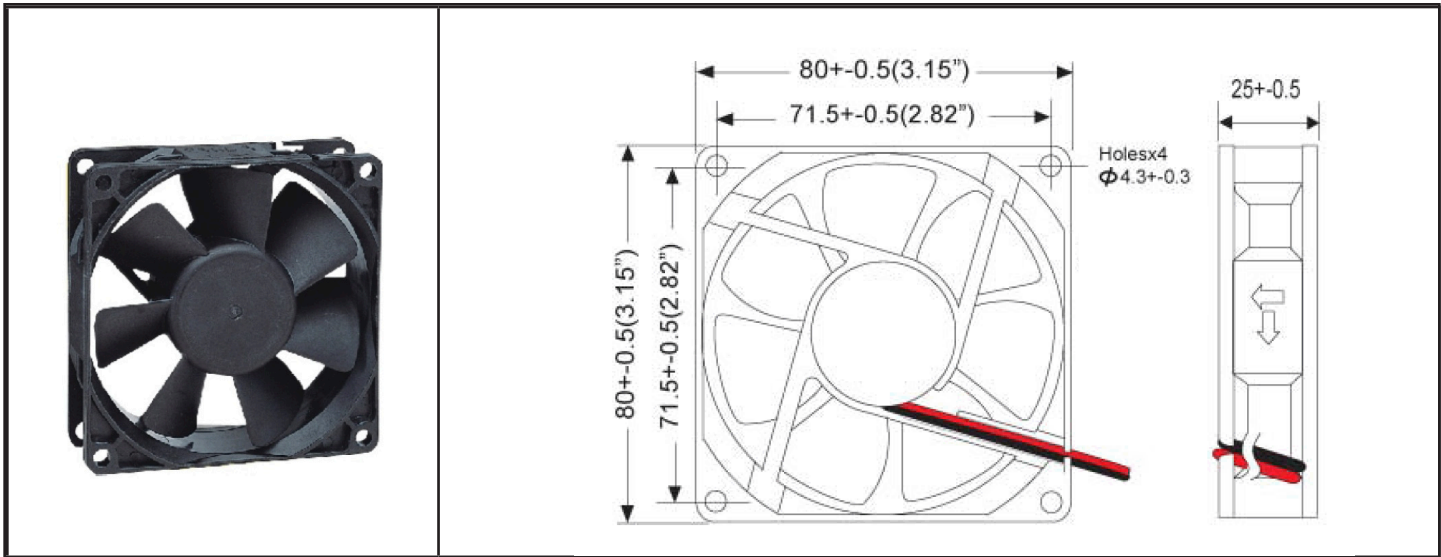
Address: A1208, Overseas Decoration Building, #122 Zhenhua RD., Futian, Shenzhen, China



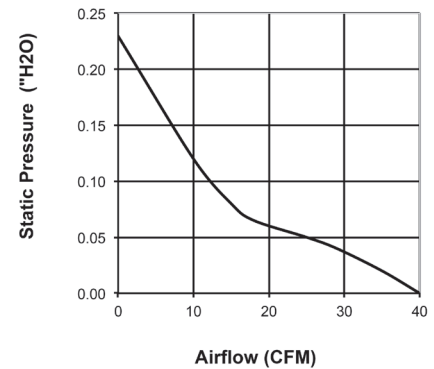
OD8025 Series



DC Fan - 48V 80x25mm (3.15"x 1.0")



Frame	PBT, UL94V-0	Notes
Impeller	PBT, UL94V-0	Date: 082013
Connection	Lead wires ~300mm *	<u>Available Options</u>
Motor	Brushless DC, imped- ance protected	Tachometer Alarm
Bearing System	Ball bearing	Thermal / PWM controls
Insulation Resistance	10M ohm between lead wire and frame (500VDC)	*Connection: UL1007 24AWG, black GND UL1007 24AWG, red Vcc
Dielectric Strength	60 seconds at 500VAC, max. leakage < 500 mA	
Temperature Range	-20C ~ +75C	
Life Expectancy	60000 hours (45C)	



Model Number	OD8025-48HB
Part Number	183441000
Nominal Voltage	48 VDC
Voltage Range	24 ~ 56 VDC
Rated Current (Amps)	0.08 A
Input Power (Watts)	3.8 W
Rated Speed (RPM)	3300
Airflow (CFM)	40
Noise Level (dB)	33
Max. Static Pressure (" H ₂ O)	0.23