



Chipsmall Limited consists of a professional team with an average of over 10 year of expertise in the distribution of electronic components. Based in Hongkong, we have already established firm and mutual-benefit business relationships with customers from,Europe,America and south Asia,supplying obsolete and hard-to-find components to meet their specific needs.

With the principle of “Quality Parts,Customers Priority,Honest Operation,and Considerate Service”,our business mainly focus on the distribution of electronic components. Line cards we deal with include Microchip,ALPS,ROHM,Xilinx,Pulse,ON,Everlight and Freescale. Main products comprise IC,Modules,Potentiometer,IC Socket,Relay,Connector.Our parts cover such applications as commercial,industrial, and automotives areas.

We are looking forward to setting up business relationship with you and hope to provide you with the best service and solution. Let us make a better world for our industry!



Contact us

Tel: +86-755-8981 8866 Fax: +86-755-8427 6832

Email & Skype: info@chipsmall.com Web: www.chipsmall.com

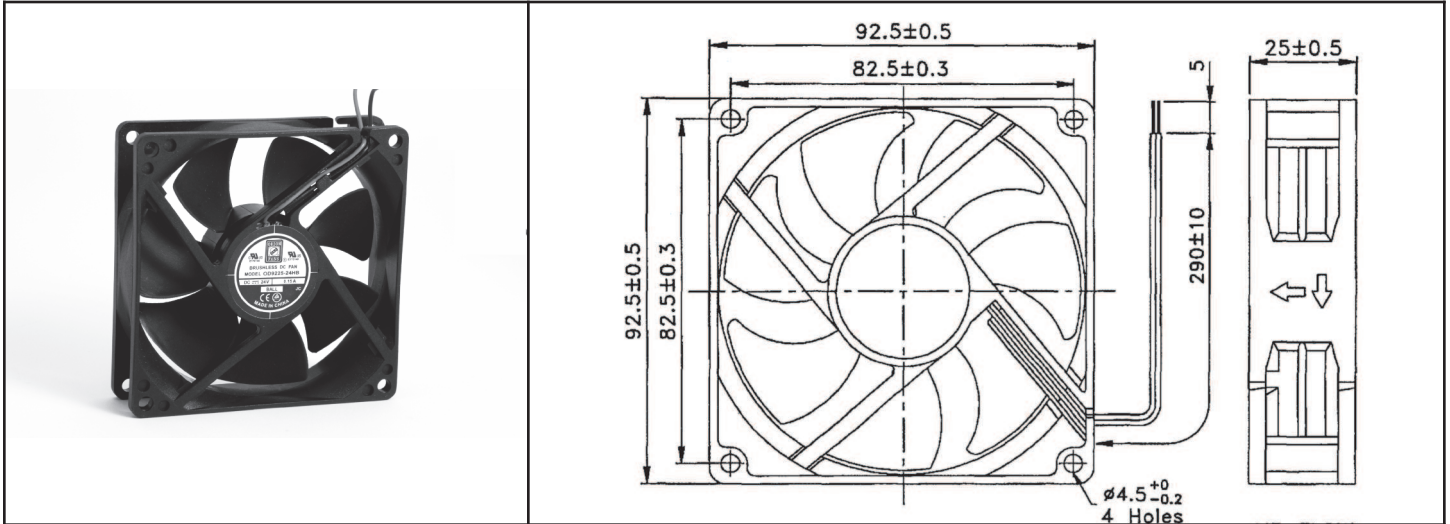
Address: A1208, Overseas Decoration Building, #122 Zhenhua RD., Futian, Shenzhen, China



OD9225 Series



DC Fan - 12, 24, 48V
92x25 (3.62"x 1.00")



Frame & Impeller	PBT, UL94V-0 plastic	Available Options: Tachometer (FG) Alarm (RD) Thermal Control Sleeve Bearing 05V IP55 Life Expectancy (L10) Ball Bearing 60,000 hours (L10 at 40C) <u>Operating Temperature</u> Ball Bearing -10C ~ 70C Weight: ~0.22 lbs m1	
Connection	2x Lead wires		
Motor	Brushless DC, auto restart, polarity protected		
Bearing System	Dual Ball		
Insulation Resistance	10M ohm between leadwire and frame (500VDC)		
Dielectric Strength	1 minute at 500 VAC, max leakage < 500 MicroAmp		
Storage Temperature	-40C ~ +80C		

Model Number	Speed (RPM)	Airflow (CFM)	Noise (dB)	Volts DC	Voltage Range	Amps	Max. Static Pressure (\"H2O)
OD9225-12HHB	3300	60	40	12	10.8~13.2	0.29	0.17
OD9225-12HB	2900	53	35	12	10.8~13.2	0.24	0.13
OD9225-12MB	2400	44	31	12	10.8~13.2	0.15	0.09
OD9225-12LB	2100	39	28	12	10.8~13.2	0.10	0.07
OD9225-12LLB	1600	27	18	12	10.8~13.2	0.07	0.04
OD9225-24HB	2900	53	35	24	22.6~26.4	0.14	0.13
OD9225-24MB	2400	44	31	24	22.6~26.4	0.09	0.09
OD9225-24LB	2100	39	28	24	22.6~26.4	0.05	0.07
OD9225-48HB	2800	50	33	48	43.2~52.8	0.09	0.24