



Chipsmall Limited consists of a professional team with an average of over 10 year of expertise in the distribution of electronic components. Based in Hongkong, we have already established firm and mutual-benefit business relationships with customers from,Europe,America and south Asia,supplying obsolete and hard-to-find components to meet their specific needs.

With the principle of “Quality Parts,Customers Priority,Honest Operation,and Considerate Service”,our business mainly focus on the distribution of electronic components. Line cards we deal with include Microchip,ALPS,ROHM,Xilinx,Pulse,ON,Everlight and Freescale. Main products comprise IC,Modules,Potentiometer,IC Socket,Relay,Connector.Our parts cover such applications as commercial,industrial, and automotives areas.

We are looking forward to setting up business relationship with you and hope to provide you with the best service and solution. Let us make a better world for our industry!



Contact us

Tel: +86-755-8981 8866 Fax: +86-755-8427 6832

Email & Skype: info@chipsmall.com Web: www.chipsmall.com

Address: A1208, Overseas Decoration Building, #122 Zhenhua RD., Futian, Shenzhen, China





OD9238 Series

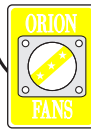
DC Fan - 12V, 24V
92 x 38mm (3.62 x 1.5in)



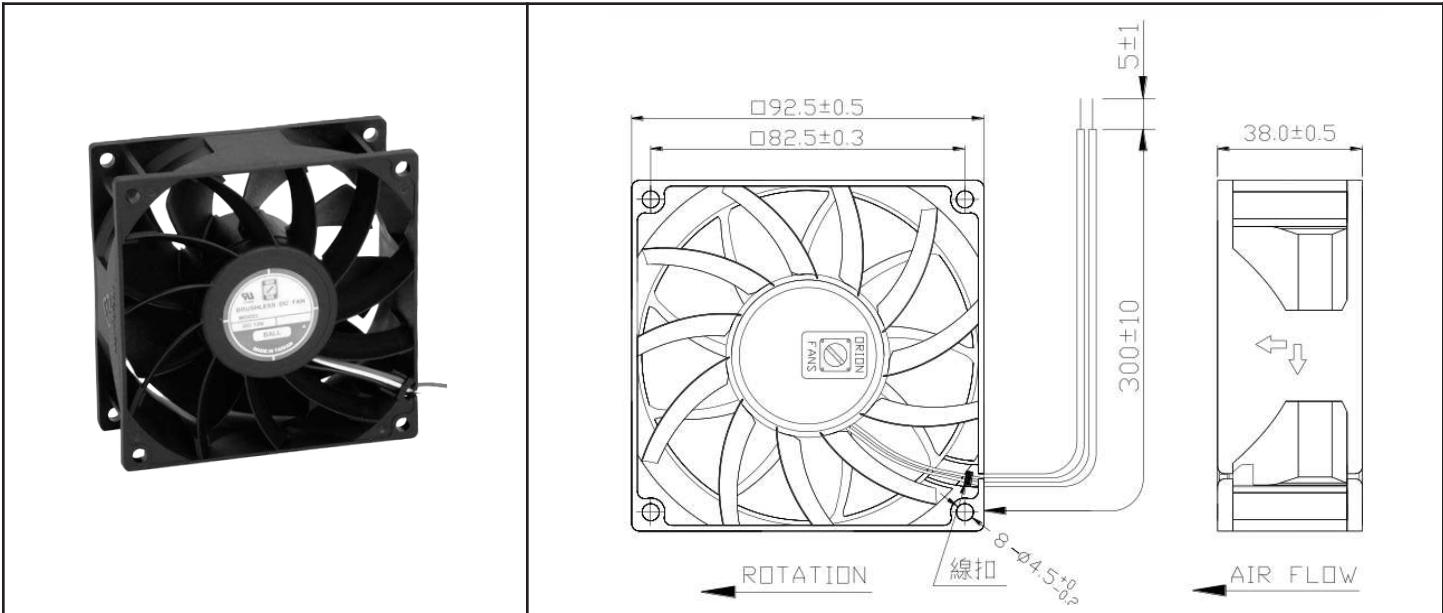
Model #	Pg #	Voltage	RPM	CFM	Noise Level	Max Static Pressure
OD9238-12MB	2	12 VDC	3600	90	47 dB	.34 H ₂ O
OD9238-24HB	3	24 VDC	4000	90	50 dB	.40 H ₂ O
OD9238-24HB02A	4	24 VDC	4000	90	50 dB	.40 H ₂ O

** For some models and part numbers, minimum order quantities may apply.

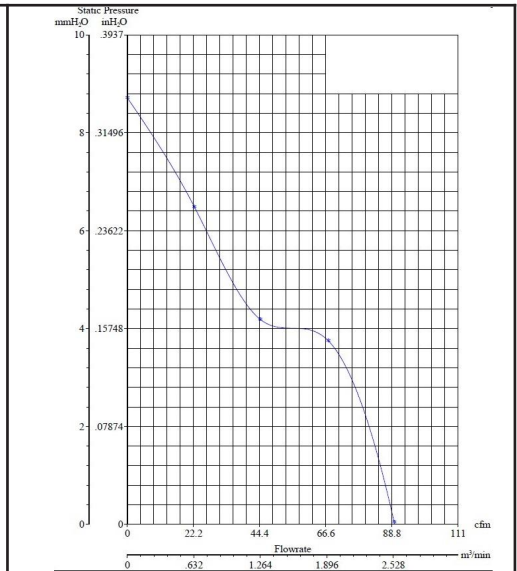
OD9238-12MB



DC Fan, 12VDC
92x38mm (3.62x1.5in)

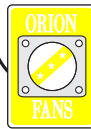


Frame & Impeller	PBT, UL94V-0 plastic	Available Options IP55 Other speeds and voltages Alarm PWM Tach *Connection: Wire Leads - UL1007 24AWG Red(+), Black (-), Weight: 210 g
Connection	2x Lead wires *	
Motor	Brushless DC, auto restart, polarity protected.	
Bearing System	Dual ball bearing	
Insulation Resistance	Min. 10M at 500VDC	
Dielectric Strength	1 second at 500VAC max leakage 500 microamp	
Temperature Range	-10C ~ +70C	
Storage Temperature	-40C ~ +80C	
Life (L10)	70,000 hours (40C)	

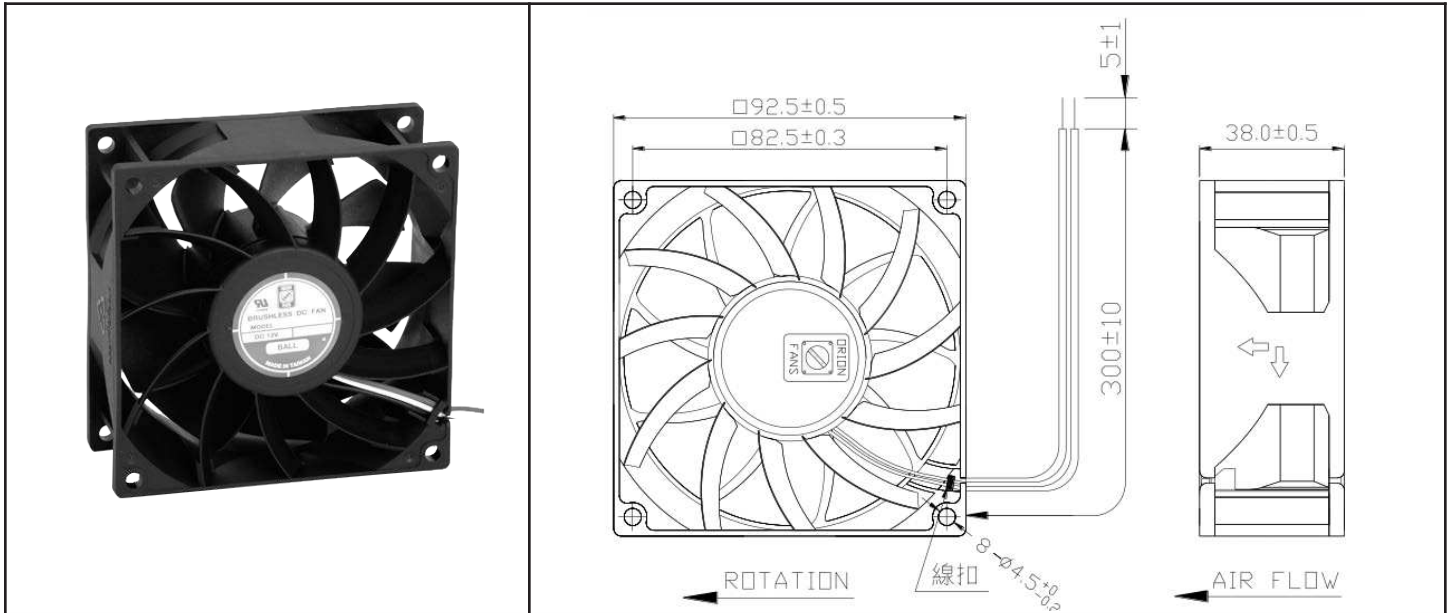


Model Number	OD9238-12MB
Part Number	196131001
Nominal Voltage	12 VDC
Voltage Range	7~13.2 VDC
Nominal Current	.45 A
Rated Power	12 Watts
Rated Speed (RPM)	3600
Airflow (CFM)	90
Noise Level (dB)	47
Max. Static Pressure	.34 "H ₂ O

OD9238-24HB



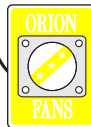
DC Fan, 24VDC
92x38mm (3.62x1.5in)



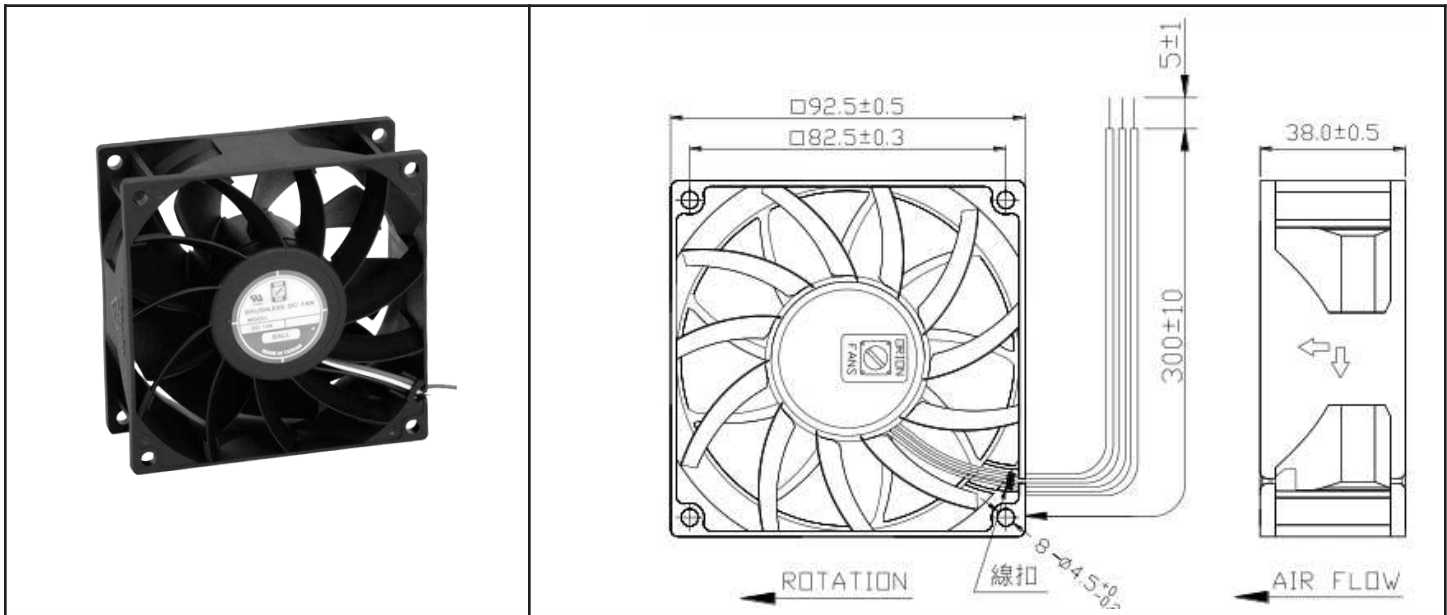
Frame & Impeller	PBT, UL94V-0 plastic	Available Options IP55 Other speeds and voltages Tachometer PWM Alarm *Connection: Wire Leads - UL1007 24AWG Red(+), Black (-), Weight: 210 g	FLOWRATE(CMM)
Connection	2x Lead wires *		
Motor	Brushless DC, auto restart, polarity protected.		
Bearing System	Dual ball bearing		
Insulation Resistance	Min. 10M at 500VDC		
Dielectric Strength	1 second at 500VAC max leakage 500 microamp		
Temperature Range	-10C ~ +70C		
Storage Temperature	-40C ~ +80C		
Life (L10)	70,000 hours (40C)		

Model Number	OD9238-24HB
Part Number	196241001
Nominal Voltage	24 VDC
Voltage Range	17~26.4 VDC
Nominal Current	.28 A
Rated Power	13.2 Watts
Rated Speed (RPM)	4000
Airflow (CFM)	90
Noise Level (dB)	50
Max. Static Pressure	.40 "H ₂ O

OD9238-24HB02A



DC Fan, 24VDC
92x38mm (3.62x1.5in)



Frame & Impeller	PBT, UL94V-0 plastic	Available Options IP55 Other speeds and voltages Tachometer PWM *Connection: Wire Leads - UL1007 24AWG Red(+), Black(-), Yellow Alarm Weight: 210 g	
Connection	3x Lead wires *		
Motor	Brushless DC, auto restart, polarity protected.		
Bearing System	Dual ball bearing		
Insulation Resistance	Min. 10M at 500VDC		
Dielectric Strength	1 second at 500VAC max leakage 500 microamp		
Temperature Range	-10C ~ +70C		
Storage Temperature	-40C ~ +80C		
Life (L10)	70,000 hours (40C)		

Model Number	OD9238-24HB02A	Output of locked signal *Output type.....Open collector type *Electrical design suggestion: (External signal function design is decided by customer) *Transistor Q1 at "ON" position Collector current.....Ic=10mA Max Saturation Voltage.....Vce=1.0V Max (Between Collector and Emitter at Ic=10mA) *Transistor Q1 at "OFF" position Release Voltage.....Vce=30V Max *Output waveform
Part Number	196241231	
Nominal Voltage	24 VDC	
Voltage Range	17~26.4 VDC	
Nominal Current	.28 A	
Rated Power	13.2 Watts	
Rated Speed (RPM)	4000	
Airflow (CFM)	90	
Noise Level (dB)	50	
Max. Static Pressure	.40 "H ₂ O	