



Chipsmall Limited consists of a professional team with an average of over 10 year of expertise in the distribution of electronic components. Based in Hongkong, we have already established firm and mutual-benefit business relationships with customers from,Europe,America and south Asia,supplying obsolete and hard-to-find components to meet their specific needs.

With the principle of “Quality Parts,Customers Priority,Honest Operation,and Considerate Service”,our business mainly focus on the distribution of electronic components. Line cards we deal with include Microchip,ALPS,ROHM,Xilinx,Pulse,ON,Everlight and Freescale. Main products comprise IC,Modules,Potentiometer,IC Socket,Relay,Connector.Our parts cover such applications as commercial,industrial, and automotives areas.

We are looking forward to setting up business relationship with you and hope to provide you with the best service and solution. Let us make a better world for our industry!



Contact us

Tel: +86-755-8981 8866 Fax: +86-755-8427 6832

Email & Skype: info@chipsmall.com Web: www.chipsmall.com

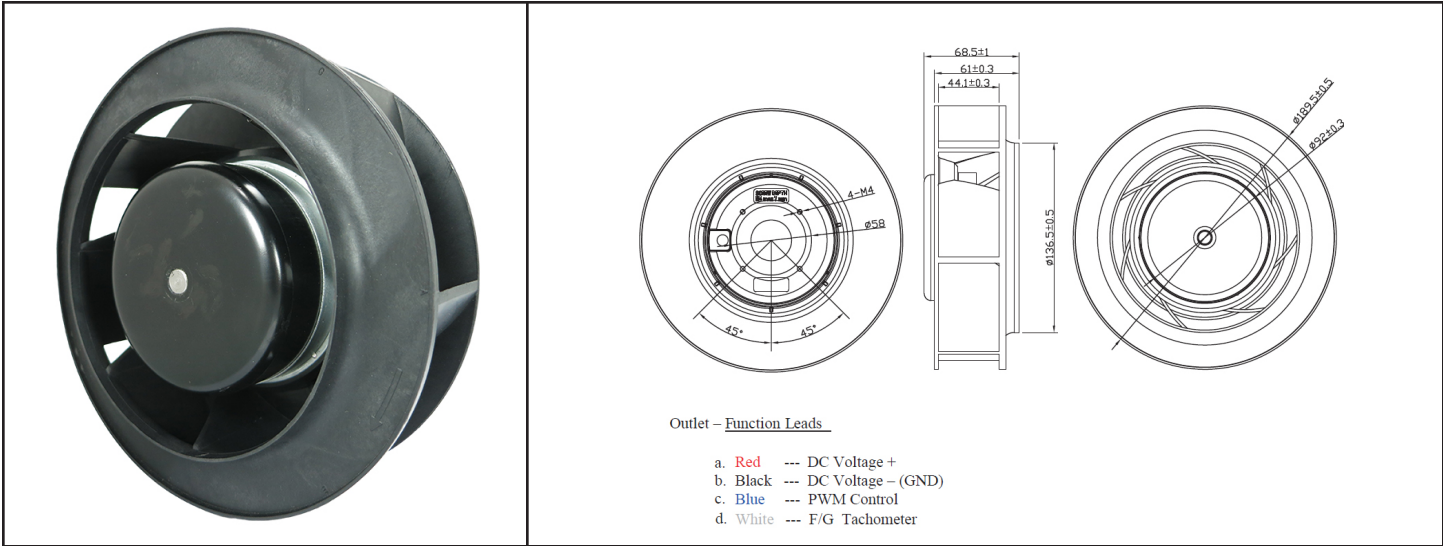
Address: A1208, Overseas Decoration Building, #122 Zhenhua RD., Futian, Shenzhen, China



ODB19069-24HB10A



DC Motorized Impeller 24V 190x69mm (7.5"x2.70")



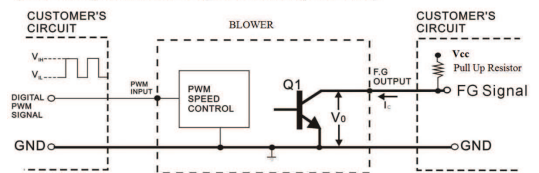
Outlet - Function Leads

- a. Red --- DC Voltage +
- b. Black --- DC Voltage - (GND)
- c. Blue --- PWM Control
- d. White --- F/G Tachometer

Frame & Impeller	Frame - Diecast aluminum Impeller - UL94V-0 Thermoplastic	Features: Signal Output: Tachometer Speed Control: PWM	
Conneccion	4 Lead wires *		
Motor	DC brushless, IC protected	Weight: ~ 1300g (2.87 lbs)	
Bearing System	Dual ball bearing		
Insulation Resistance	Min. 10M at 500VDC	m0	
Dielectric Strength	1 minute at 500 VAC, max leakage < 500 MicroAmp		
Temperature Range	-10C ~ +65C		
Storage Temperature	-40C ~ +80C		
Life (L10)	-40,000 hours (40C)		

Part Number	ODB19069-24HB10A
Nominal Voltage	24VDC
Voltage Range	16 ~ 28 VDC
Nominal Current	4.5 A
Rated Power	108 W
Rated Speed (RPM)	3200
Airflow (CFM)	395
Noise Level (dB)	70
Max. Static Pressure	1.97" H ₂ O

(External signal function design is decided by customer)

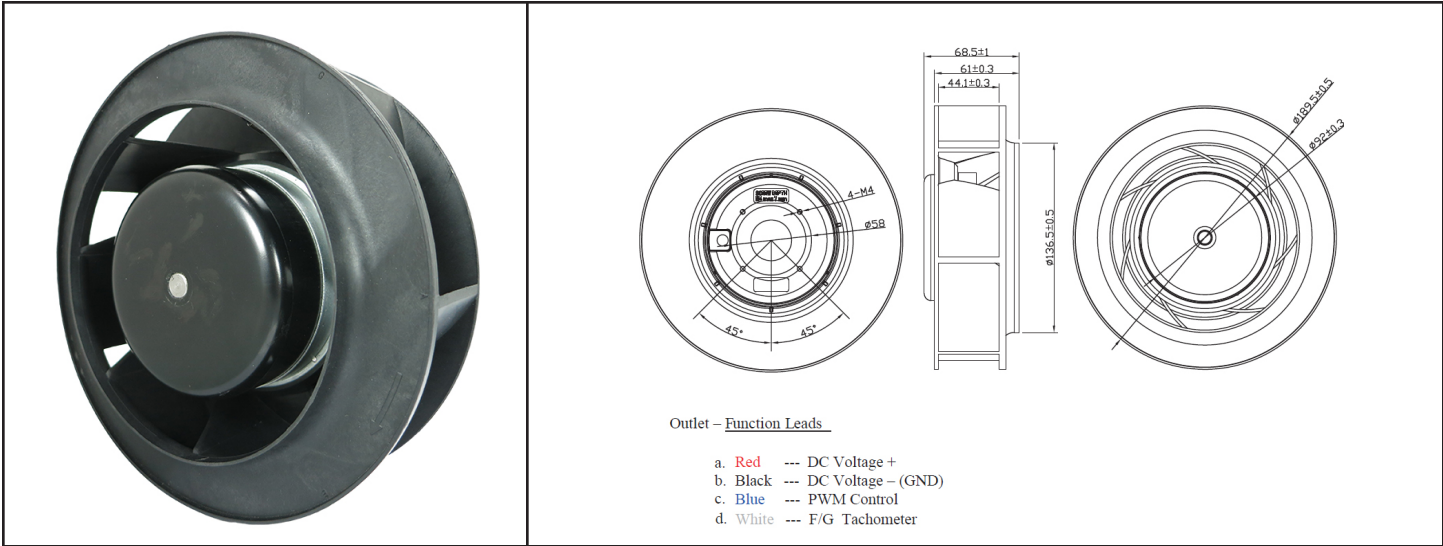


- * FG 2 pulses per revolution
 - * TRANSISTOR Q1 AT "ON" POSITION
COLLECTOR CURRENT: $I_c = 10\text{mA MAX}$
SATURATION VOLTAGE: $V_{ce} = 1\text{ V MAX}$
 - * TRANSISTOR Q1 AT "OFF" POSITION
RELEASE VOLTAGE: $V_{oh} = V_{cc\text{ Max}}$
 - * DIGITAL PWM SPEED CONTROL POSITION
PWM INPUT VOLTAGE HIGH: $V_{ih} > 2.6\text{V}$
PWM INPUT VOLTAGE LOW: $V_{il} < 0.5\text{V}$
 - * PWM INPUT FREQUENCY: $FPWM: 100\text{Hz} - 100\text{kHz}$
- Blower will run full speed at 100%, stop at 0%, full speed if PWM not connected

ODB19069-48HB10A

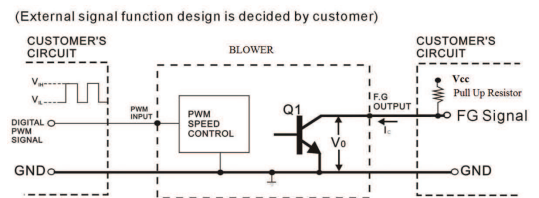


DC Motorized Impeller 48V 190x69mm (7.5"x2.70")



Frame & Impeller	Frame - Diecast aluminum Impeller - UL94V-0 Thermoplastic	Features: Signal Output: Tachometer Speed Control: PWM	
Conneccion	4 Lead wires *		
Motor	DC brushless, IC protected		
Bearing System	Dual ball bearing	m0	
Insulation Resistance	Min. 10M at 500VDC		
Dielectric Strength	1 minute at 500 VAC, max leakage < 500 MicroAmp		
Temperature Range	-10C ~ +65C		
Storage Temperature	-40C ~ +80C		
Life (L10)	-40,000 hours (40C)		

Part Number	ODB19069-48HB10A
Nominal Voltage	48VDC
Voltage Range	36 ~ 56 VDC
Nominal Current	2.55 A
Rated Power	122.4 W
Rated Speed (RPM)	3500
Airflow (CFM)	432
Noise Level (dB)	73
Max. Static Pressure	2.0" H ₂ O



- * FG 2 pulses per revolution
 - * TRANSISTOR Q1 AT "ON" POSITION
COLLECTOR CURRENT: $I_c = 10\text{mA MAX}$
SATURATION VOLTAGE: $V_{ce} = 1\text{V MAX}$
 - * TRANSISTOR Q1 AT "OFF" POSITION
RELEASE VOLTAGE: $V_{oh} = V_{cc\text{Max}}$
 - * DIGITAL PWM SPEED CONTROL POSITION
PWM INPUT VOLTAGE HIGH: $V_{ih} > 2.6\text{V}$
PWM INPUT VOLTAGE LOW: $V_{il} < 0.5\text{V}$
 - * PWM INPUT FREQUENCY: $FPWM: 100\text{Hz} - 100\text{kHz}$
- Blower will run full speed at 100%, stop at 0%, full speed if PWM not connected