



Chipsmall Limited consists of a professional team with an average of over 10 year of expertise in the distribution of electronic components. Based in Hongkong, we have already established firm and mutual-benefit business relationships with customers from,Europe,America and south Asia,supplying obsolete and hard-to-find components to meet their specific needs.

With the principle of “Quality Parts,Customers Priority,Honest Operation,and Considerate Service”,our business mainly focus on the distribution of electronic components. Line cards we deal with include Microchip,ALPS,ROHM,Xilinx,Pulse,ON,Everlight and Freescale. Main products comprise IC,Modules,Potentiometer,IC Socket,Relay,Connector.Our parts cover such applications as commercial,industrial, and automotives areas.

We are looking forward to setting up business relationship with you and hope to provide you with the best service and solution. Let us make a better world for our industry!



## Contact us

Tel: +86-755-8981 8866 Fax: +86-755-8427 6832

Email & Skype: info@chipsmall.com Web: www.chipsmall.com

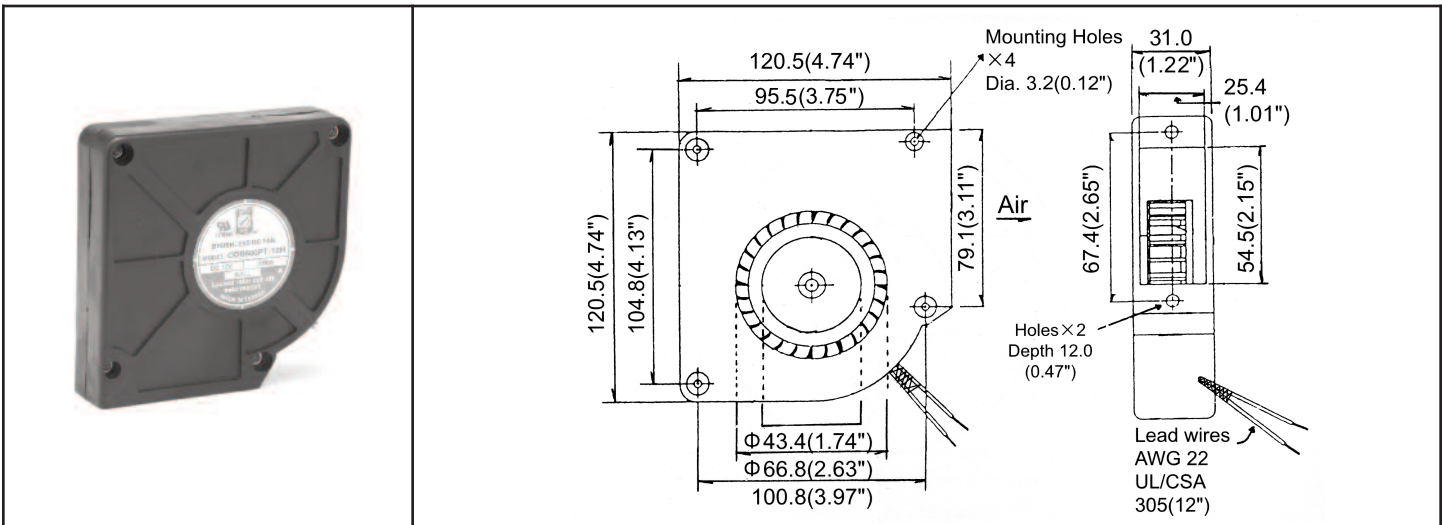
Address: A1208, Overseas Decoration Building, #122 Zhenhua RD., Futian, Shenzhen, China



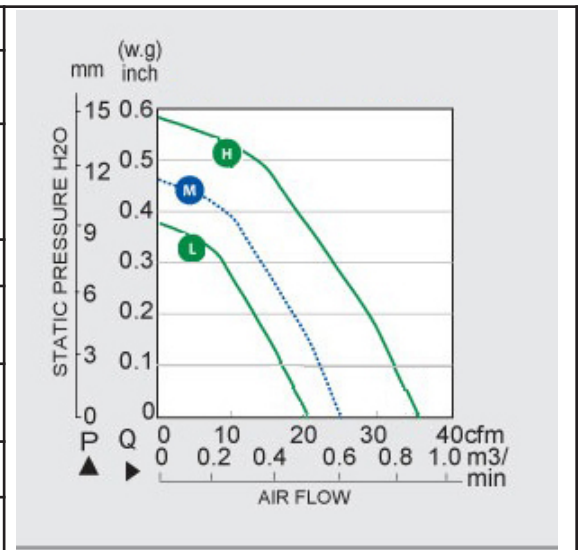
# ODB600PT Series



Single Side Inlet, DC Blower  
120x31mm (4.7"x 1.22")



Frame & Impeller	PBT, UL94V-O plastic
Connection	2x Lead wires
Motor	Brushless DC, auto restart, locked rotor and polarity protected
Bearing System	Dual ball
Insulation Resistance	10M ohm between leadwire and frame (500VDC)
Dielectric Strength	1 minute at 500VAC / 1 second, max leakage 500 microamp
Temperature Range	-10C ~ +70C
Life Expectancy (L10)	60,000 hours



Model Number	Speed (RPM)	Airflow (CFM)	Noise (dB)	Volts DC	Voltage Range	Amps	Max. Static Pressure ("H <sub>2</sub> O)
ODB600PT-12HB	2700	30	49	12	8~14	0.60	0.49
ODB600PT-12MB	2300	22	42	12	8~14	0.47	0.42
ODB600PT-12LB	1800	20	30	12	8~14	0.20	0.35
ODB600PT-24HB	3000	30	49	24	10~29	0.37	0.49
ODB600PT-24MB	2500	22	42	24	10~29	0.30	0.42
ODB600PT-24LB	1800	20	30	24	10~29	0.20	0.35
ODB600PT-48HB	3000	30	49	48	24~56	0.15	0.49
ODB600PT-48MB	2300	22	42	48	28~56	0.12	0.42