



Chipsmall Limited consists of a professional team with an average of over 10 year of expertise in the distribution of electronic components. Based in Hongkong, we have already established firm and mutual-benefit business relationships with customers from,Europe,America and south Asia,supplying obsolete and hard-to-find components to meet their specific needs.

With the principle of “Quality Parts,Customers Priority,Honest Operation,and Considerate Service”,our business mainly focus on the distribution of electronic components. Line cards we deal with include Microchip,ALPS,ROHM,Xilinx,Pulse,ON,Everlight and Freescale. Main products comprise IC,Modules,Potentiometer,IC Socket,Relay,Connector.Our parts cover such applications as commercial,industrial, and automotives areas.

We are looking forward to setting up business relationship with you and hope to provide you with the best service and solution. Let us make a better world for our industry!



## Contact us

Tel: +86-755-8981 8866 Fax: +86-755-8427 6832

Email & Skype: info@chipsmall.com Web: www.chipsmall.com

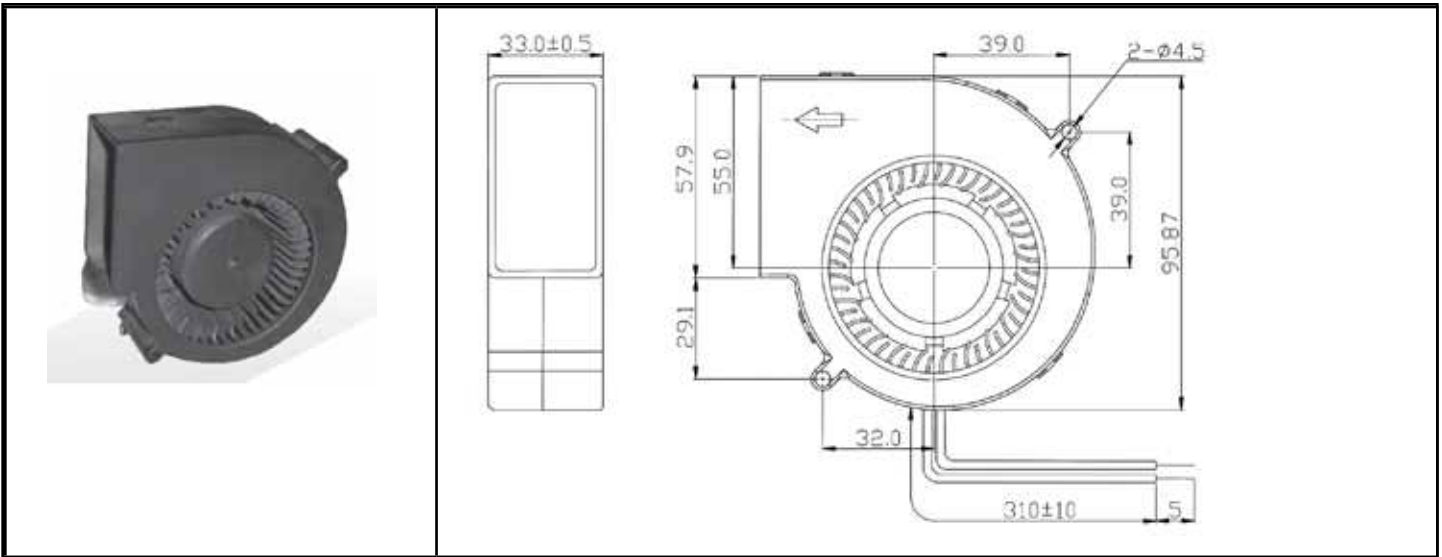
Address: A1208, Overseas Decoration Building, #122 Zhenhua RD., Futian, Shenzhen, China



# ODB9733 Series



DC side inlet blower  
96x33mm (3.8"x 1.3")



Frame	PBT, UL94V-0	Notes	
Impeller	PBT, UL94V-0	Date: 052012	
Connection	Lead wires*	<u>Available Options</u>	
Motor	Brushless DC, IC protected	Tachometer	
Bearing System	Dual ball bearing	Alarm	
Insulation Resistance	10M ohm between lead wire and frame (500VDC)	Thermal Control	
Dielectric Strength	60 second at 500VAC, max. leakage < 500 MicroAmp	* Connections UL1007, AWG24, ~310mm Red (+) Black (-)	
Temperature Range	-10C ~ +70C		
Life Expectancy	50000 hours (25C L10)		

Model Number	ODB9733-12HB	ODB9733-24HB
Part Number	104141001	104241001
Nominal Voltage	12 VDC	24 VDC
Voltage Range	10.8 ~ 13.2 VDC	21.6 ~ 26.4 VDC
Nominal Current	0.78 A	0.35 A
Input Power	9.36 W	8.40 W
Rated Speed (RPM)	4000	4000
Airflow (CFM)	33	33
Noise Level (dB)	56	56
Max. Static Pressure ( " H <sub>2</sub> O)	1.1	1.1