



Chipsmall Limited consists of a professional team with an average of over 10 year of expertise in the distribution of electronic components. Based in Hongkong, we have already established firm and mutual-benefit business relationships with customers from,Europe,America and south Asia,supplying obsolete and hard-to-find components to meet their specific needs.

With the principle of "Quality Parts,Customers Priority,Honest Operation,and Considerate Service",our business mainly focus on the distribution of electronic components. Line cards we deal with include Microchip,ALPS,ROHM,Xilinx,Pulse,ON,Everlight and Freescale. Main products comprise IC,Modules,Potentiometer,IC Socket,Relay,Connector.Our parts cover such applications as commercial,industrial, and automotives areas.

We are looking forward to setting up business relationship with you and hope to provide you with the best service and solution. Let us make a better world for our industry!



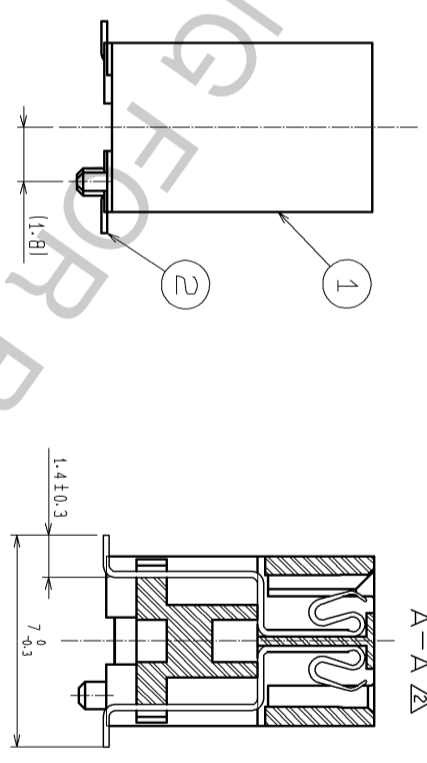
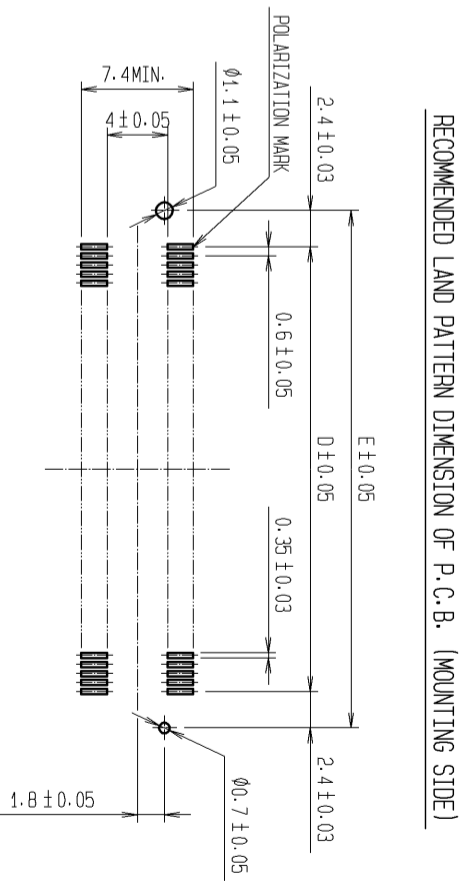
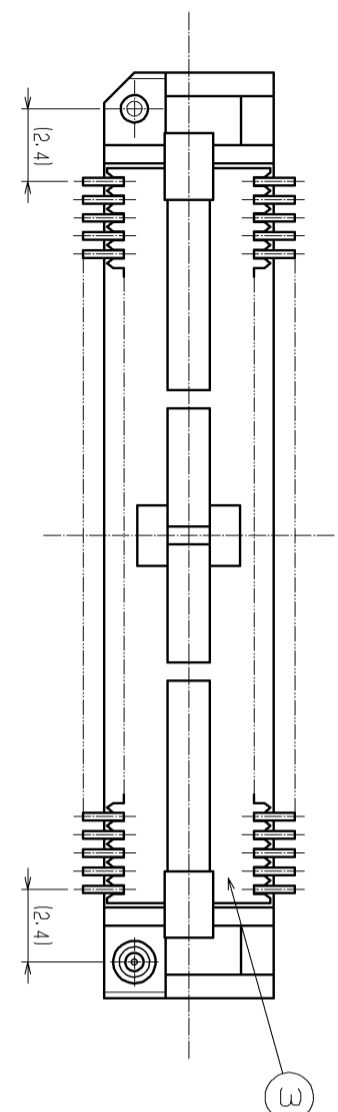
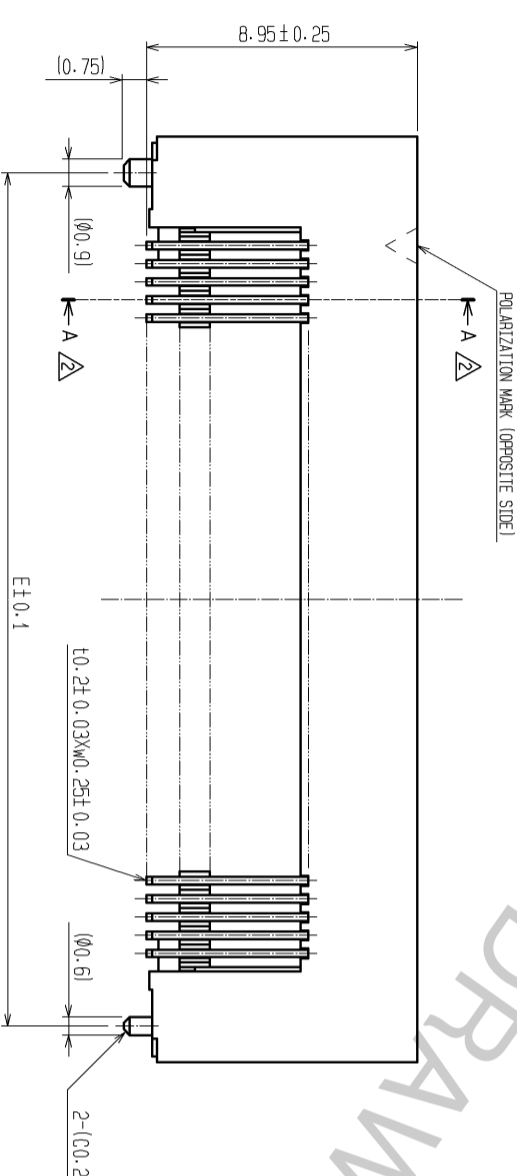
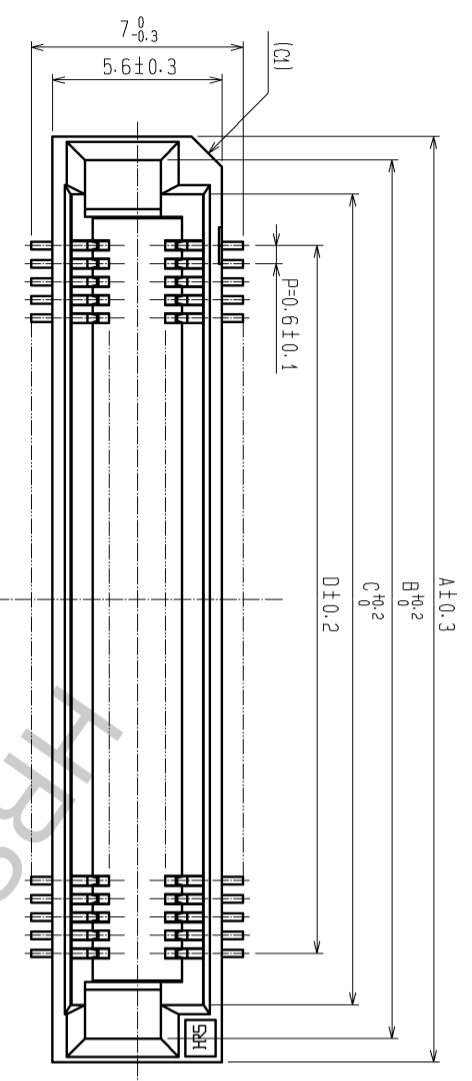
Contact us

Tel: +86-755-8981 8866 Fax: +86-755-8427 6832

Email & Skype: info@chipsmall.com Web: www.chipsmall.com

Address: A1208, Overseas Decoration Building, #122 Zhenhua RD., Futian, Shenzhen, China





DIMENSION TABLE OF CONNECTOR AND P.C.B. LAND PATTERN.

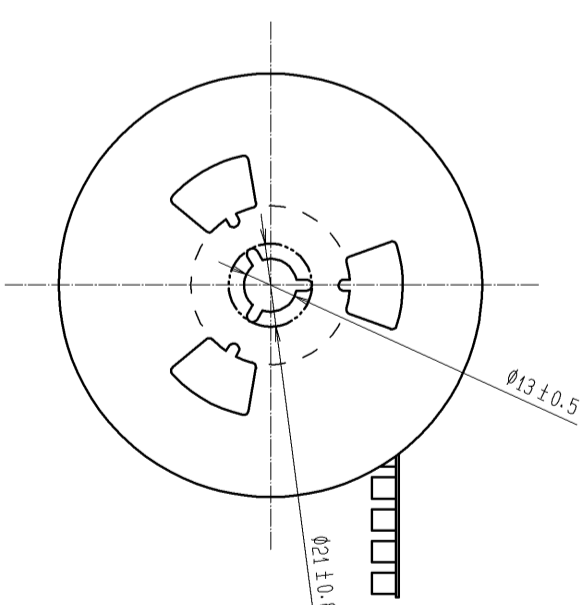
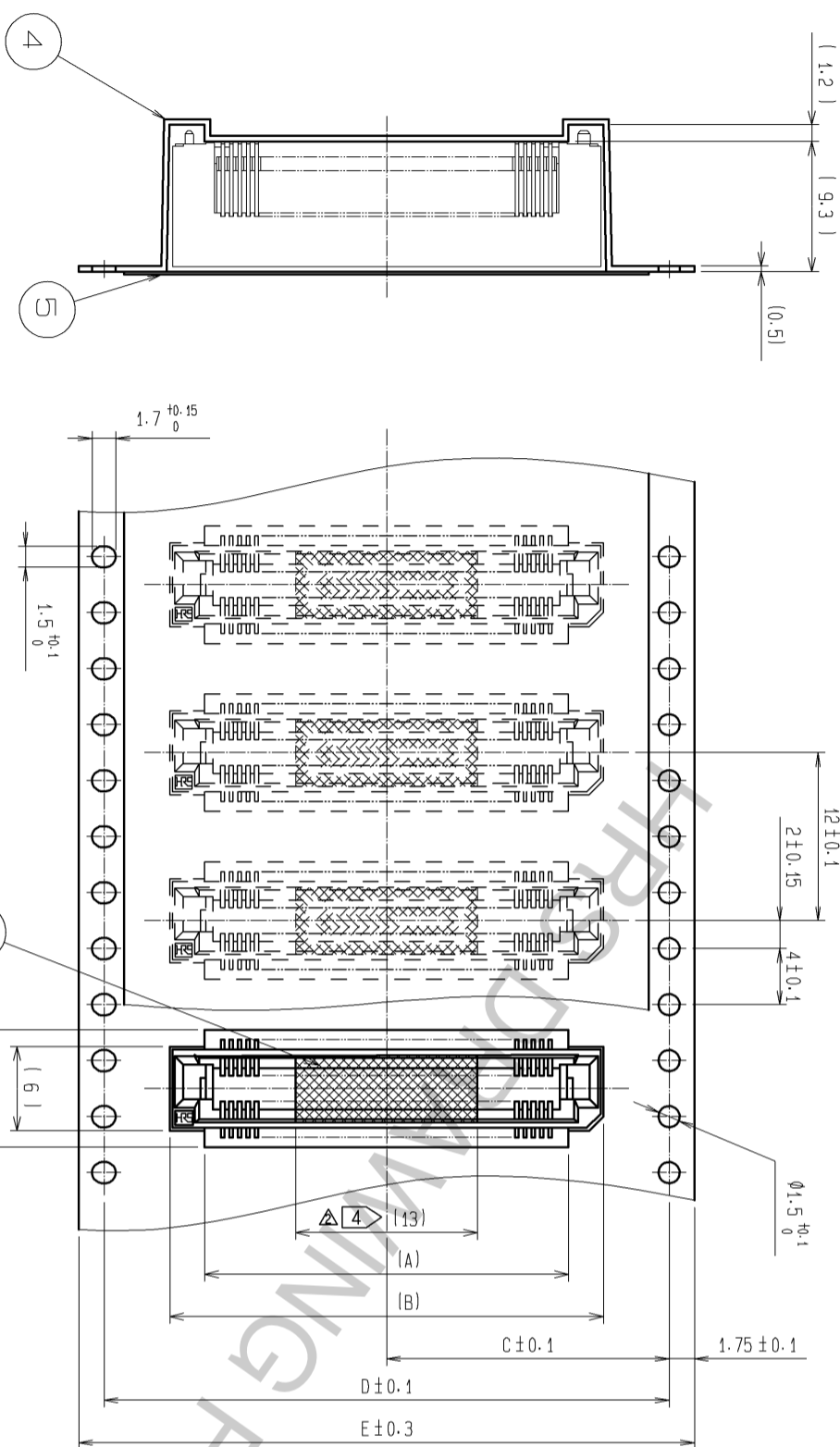
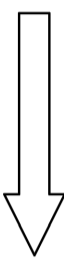
PART NO.	CODE No.	6	7	A	B	C	D	E
FX8C-60S-SV5(93)	CL578-0821-0-93	60	X	24.60	23.05	20.80	17.40	22.20
FX8C-80S-SV5(93)	CL578-0823-5-93	80	X	30.60	29.05	26.80	23.40	28.20
FX8C-100S-SV5(93)	CL578-0825-0-93	100	X	36.60	35.05	32.80	29.40	34.20
FX8C-120S-SV5(93)	CL578-0826-3-93	120	—	42.60	41.05	38.80	35.40	40.20
FX8C-140S-SV5(93)	CL578-0827-6-93	140	X	48.60	47.05	44.80	41.40	46.20

- NOTE 1. LEAD CO-PLANARITY SHALL BE 0.1mm MAX.
 2. EMBOSSED CARRIER TAPE PACKAGING SHALL BE APPLIED TO THIS PRODUCT.
 3. THIS PRODUCT HAS TAPE FOR VACUUM PICKUP.
 4. FOR MODIFICATION, ETC. PREVENTIVE HOLE FOR SINK MARK MAY BE ADDED ACCORDING TO CIRCUMSTANCES.
 5. THE DIMENSIONS IN PARENTHESES ARE FOR REFERENCE.
- 6 NUMBER OF CONTACTS.
 7 EXISTENCE
 X: PRODUCED, --: NO PRODUCED

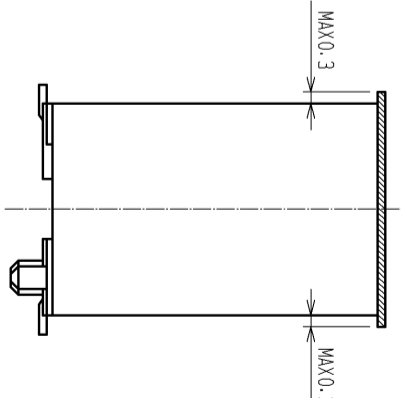
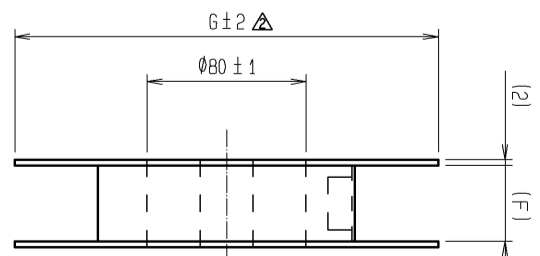
2	PHOSPHOR BRONZE	CONTACT AREA: GOLD 0.1µm min.	6	POLYIMIDE	(TAPE FOR VACUUM PICKUP)
	1. 3 PPS	LEAD AREA: TIN-PLATING 1µm min. UNDER PLATING: NICKEL 1µm min. LIGHT BROWN (UL94V-0)	5	POLYESTER	(TOP COVER TAPE)
NO.	MATERIAL	FINISH . REMARKS	NO.	MATERIAL	FINISH . REMARKS
UNITS	SCALE	COUNT	DESCRIPTION OF REVISIONS	DESIGNED	CHECKED
mm	FREE	8	DIS-F-002261	TS. MIYAKI	HS. OZAWA
APPROVED : YK. YOSHIMURA		03.02.19		DRAWING NO.	
CHECKED : HS. OKAWA		03.02.18		PART NO.	
DESIGNED : KY. NAKAMURA		03.02.17		EDC3-151023-23	
DRAWN : SK. SUZUKI		03.02.07		CODE NO.	
				CL578	

DRAWING FOR PACKING (FREE)

UNREELING DIRECTION



REEL DIMENSION



DETAIL OF TAPE FOR VACUUM PICKUP

△△ DIMENSION TABLE OF EMBOSSED CARRIER TAPE AND REEL.

PART NO.	CODE NO.	②	③	A	B	C	D	E	F	G
FX8C-60S-SV5(93)	CL578-0821-0-93	60	X	20	25	20.2	40.4	44	44.4	Ø370
FX8C-80S-SV5(93)	CL578-0823-5-93	80	X	26	31	20.2	40.4	44	44.4	Ø370
FX8C-100S-SV5(93)	CL578-0825-0-93	100	X	32	37	26.2	52.4	56	56.4	Ø370
FX8C-120S-SV5(93)	CL578-0826-3-93	120	-	38	43	26.2	52.4	56	56.4	Ø380
FX8C-140S-SV5(93)	CL578-0827-6-93	140	X	44	49	34.2	68.4	72	72.4	Ø380

NOTE 1 1 REEL : 500 CONNECTORS

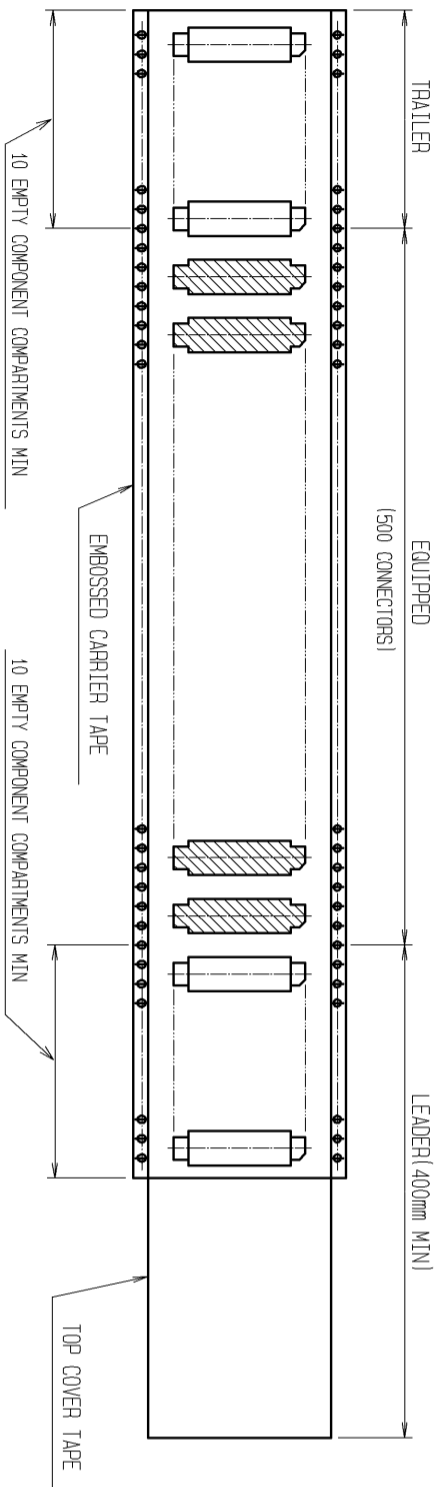
② NUMBER OF CONTACTS

③ EXISTENCE

X: PRODUCED, --: NO PRODUCED

④ REMOVE THE VACUUM PICKUP TAPE AFTER MOUNTING THE CONNECTOR. △

⑤ THE DIMENSIONS IN PARENTHESES ARE FOR REFERENCE. △△



FORM NO. 229-2-1

HRS

DRAWING NO. EDC3-151023-23
 PART NO. FX8C-*S-SV5(93)
 CODE NO. CL578

