



Chipsmall Limited consists of a professional team with an average of over 10 year of expertise in the distribution of electronic components. Based in Hongkong, we have already established firm and mutual-benefit business relationships with customers from,Europe,America and south Asia,supplying obsolete and hard-to-find components to meet their specific needs.

With the principle of “Quality Parts,Customers Priority,Honest Operation,and Considerate Service”,our business mainly focus on the distribution of electronic components. Line cards we deal with include Microchip,ALPS,ROHM,Xilinx,Pulse,ON,Everlight and Freescale. Main products comprise IC,Modules,Potentiometer,IC Socket,Relay,Connector.Our parts cover such applications as commercial,industrial, and automotives areas.

We are looking forward to setting up business relationship with you and hope to provide you with the best service and solution. Let us make a better world for our industry!



## Contact us

Tel: +86-755-8981 8866 Fax: +86-755-8427 6832

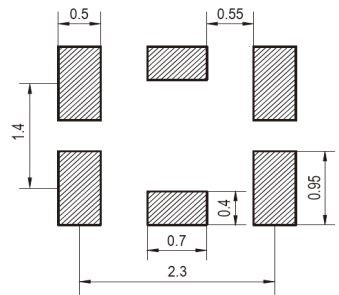
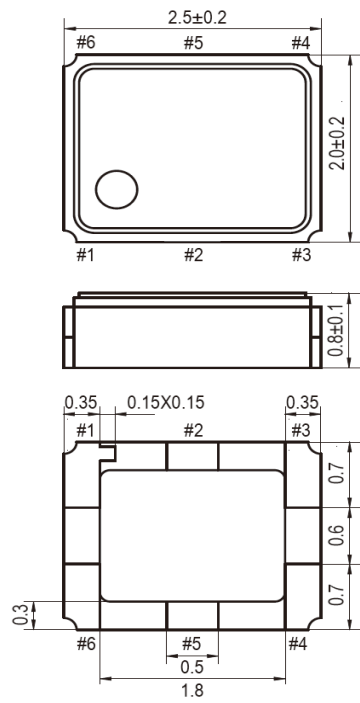
Email & Skype: info@chipsmall.com Web: www.chipsmall.com

Address: A1208, Overseas Decoration Building, #122 Zhenhua RD., Futian, Shenzhen, China



REVISIONS			
REV	DESCRIPTION	DATE	APPROVED

### PACKAGE DIMENSIONS (mm)

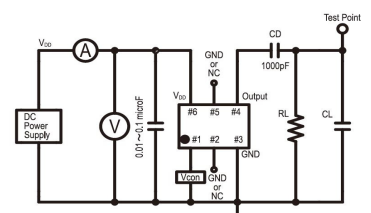


Pad Connections	
1	Vcontrol
2	NC or Ground
3	Ground
4	Output
5	NC or Ground
6	VDD

### ELECTRICAL SPECIFICATIONS

Frequency: 40.000000 MHz  
 Frequency Stability -30 to +85°C (Ref @ +25°C): ± 2.0 ppm Max.  
 Frequency Tolerance (@ +25°C Vcon +1/2VDC): ± 1.5 ppm Max.  
 Supply Voltage (Vdd): +2.8V DC ± 5%  
 Control Voltage: 1.4V ± 1.0V  
 Supply variation: ±0.2 ppm max. at +2.8V ± 5%  
 Load variation: ±0.2 ppm max. at 10K Ω ± 10% with 10pF ± 10%  
 Input Current: 2.0 mA Max.  
 Output Voltage: 0.8 V p-p Min.  
 Output Load: 10K Ohms ±10%/10 pF ±10%  
 Output Waveform: Clipped Sine Wave  
 Aging (per year @ +25°C): ± 1 ppm/Year Max.  
 Frequency Adjustment: ± 9 ppm ~ ±15 ppm (Positive Slope)  
 Operating Temperature: -30 to +85°C  
 Storage Temperature: -40 to +85°C  
 Startup Time: 2.0 ms Max.  
 SSB Phase Noise: -135 dBc/Hz @ +1 KHz Offset  
 Harmonic distortion: -5 dBc max.

ECS Part Number: OECS-400-CDX-1155



CD : DC-Cut capacitance  
 RL : 10Kohm ± 10%  
 CL : 10pF ± 10% including fixture and probe capacitance

ECS INC. INTERNATIONAL 1105 S. Ridgeview Olathe, KS 66062 (913) 782-7787		
SIGNATURES		DATE
DRN <b>BL</b>		5/31/2016
CHK <b>DK</b>		5/31/2016
APP <b>BS</b>		5/31/2016
TITLE		<b>40.000 MHz VC-TCXO, Extended Temp Range</b>
SIZE A	DWG NO. OECS-400-CDX-1155	REV
Dimensions in mm		CAGE CODE: 1G8B7
		SHEET 1 OF 1